
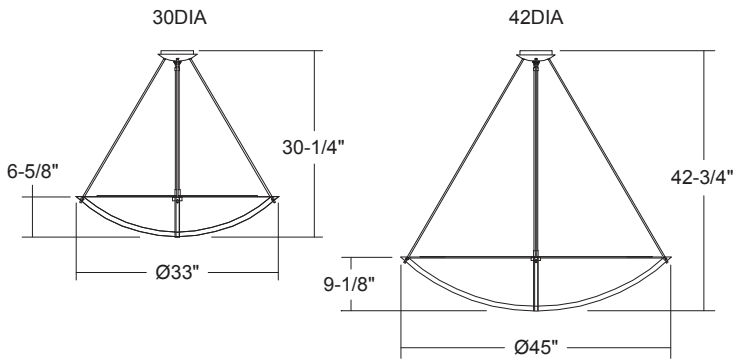


SPECIFICATIONS	Interior	ILLUSTRA
	<h1 style="margin: 0;">4801</h1> <p style="margin: 0;">SATRO</p>	<p>Type:</p> <p>Project:</p> <p>Qty:</p>



**Warranty**

1-year limited warranty. Complete warranty terms located at [www.acuitybrands.com/CustomerResources/Terms\\_and\\_conditions.aspx](http://www.acuitybrands.com/CustomerResources/Terms_and_conditions.aspx)

Actual performance may differ as a result of end-user environment and application.

**CATALOG NUMBER**

Example: WFP4801 30DIA 4/13TT 120 OAE BA4

Series	Diameter	Source	Voltage	Lens	Finish	Special
WFP4801 Satro Illustra Series	<b>30DIA</b> 30 Inch Nominal Diameter	<b>4/13TT</b> (4) 13w Twin Tube/GX7 <b>4/26DTT</b> (4) 26w Quad Tube/G24q3 <b>4/42TRT</b> (4) 42w Triple Tube/GX24q4	<b>120</b> 120V <b>277</b> 277V <b>347*</b> 347V	<b>OAE</b> Opal Acrylic Etched <b>FAH4</b> White Vein Hand Painted Faux Alabaster <b>FAH5</b> Antique Hand Painted Faux Alabaster (Beige) <b>FAH6</b> Gray Vein Hand Painted Faux Alabaster <b>FAH7</b> Beige Vein Hand Painted Faux Alabaster	<b>BA4</b> Brushed Aluminum w/ Brushed Brass Cylinders <b>BB2</b> Brushed Brass w/ Brushed Aluminum Cylinders <b>CPF*</b> Custom Paint Finish <b>CMF*</b> Custom Metal Finish	<b>MOD*</b> Modification / Consult Factory
	<b>42DIA</b> 42 Inch Nominal Diameter	<b>4/60A19</b> (4) 60w A19/Medium <b>8/42TRT</b> (8) 42w Triple Tube/GX24q4 <b>8/60A19</b> (8) 60w A19/Medium				

**Describe Modification:**



**Notes**

- UL listed and cUL approved.
- Winona Lighting products are union made.
- Custom Sizes and Finishes available upon request.
- All Fluorescent fixtures available in 120V and 277V.
- Winona Lighting reserves the right to make design changes without prior notice.
- Lamps not included.

\* Available by modification only. Consult factory.

**Weight**

4/6019-WFP4801-30DIA	15lbs
4/13TT, 4/26DTT-WFP4801-30DIA	21lbs
8/60A19-WFP4801-42DIA	25lbs
4/26DTT, 4/42TRT-WFP4801-42DIA	34lbs
8/42TRT-WFP4801-42DIA	35lbs