

SPECIFICATIONS

Exterior

FORMATIONS

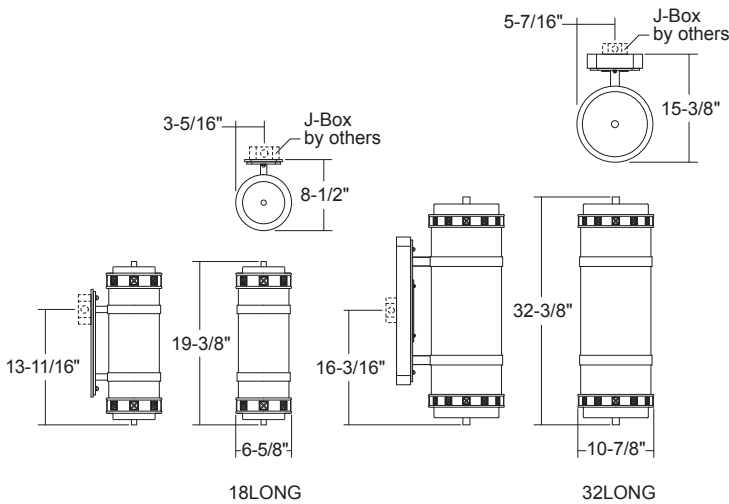


4923
CLASSICAL

Type:

Project:

Qty:



Warranty

1-year limited warranty. Complete warranty terms located at www.acuitybrands.com/CustomerResources/Terms_and_conditions.aspx

Actual performance may differ as a result of end-user environment and application.

CATALOG NUMBER

Example: **WFE4923 18LONG 2/39TT 120 OA AB5**

Series	Length	Source	Voltage	Lens	Finish
WFE4923 Classical Formations Series	18LONG 18 Inch Nominal Length	2/60T10 (2) 60w T10/Medium 2/39TT (2) 39w Twin Tube/2G11 3/60T10 (3) 60w T10/Medium	120 120V 277 277V 347* 347V	OA Opal Acrylic FAH4 White Vein Hand Painted Faux Alabaster FAH5 Antique Hand Painted Faux Alabaster (Beige) FAH6 Gray Vein Hand Painted Faux Alabaster FAH7 Beige Vein Hand Painted Faux Alabaster	AB5 Antique Brass w/ Satin Antique Brass Painted Accents BA1 Brushed Aluminum w/ Satin Black Painted Accents PGP1 Pale Gold Paint w/ Pale Gold Painted Accents CPF* Custom Paint Finish CMF* Custom Metal Finish
	32LONG 32 Inch Nominal Length	2/40TT (2) 40w Twin Tube/2G11 2/17T8 (2) 17w T8/Medium BiPin 2/24T12HO (2) 24w T12HO/Recessed D.C.			

Describe Modification:	Notes	Weight
<p>Special</p> <p>MOD* Modification / Consult Factory</p>	<ul style="list-style-type: none"> UL listed and cUL approved. Winona Lighting products are union made. Custom Sizes and Finishes available upon request. All Fluorescent fixtures available in 120V and 277V. Winona Lighting reserves the right to make design changes without prior notice. Lamps not included. <p>*Available by modification only. Consult factory.</p>	<p>2/60T10, 2/39TT-WFW4923-18LONG 15lbs 3/60T10, 2/40TT-WFW4923-32LONG 30lbs 2/17T8-WFW4923-32LONG 41lbs 2/24T12HO-WFW4923-32LONG 50lbs</p> <p>Note: All wall mounts over 25lbs. require additional hanging support.</p>