
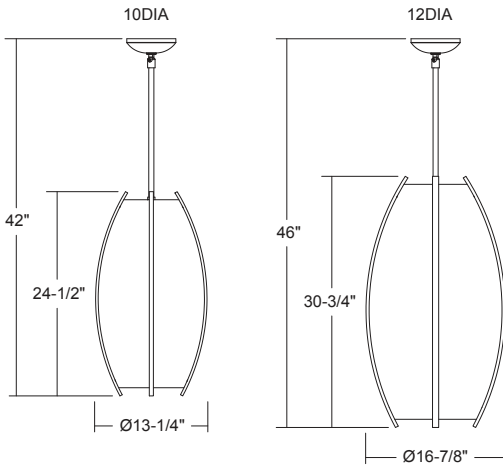


SPECIFICATIONS	Interior	CYLINDER
	<h1>5440</h1> <p>DELANO</p>	Type: Project: Qty:



Warranty

1-year limited warranty. Complete warranty terms located at www.acuitybrands.com/CustomerResources/Terms_and_conditions.aspx

Actual performance may differ as a result of end-user environment and application.

CATALOG NUMBER

Example: **WFP5440 12DIA 4/40TT 120 DIM OAE PB**

Series	Diameter	Source	Voltage	Ballast
WFP5440 Delano Cylinders Series	10DIA 10 Inch Nominal Diameter	2/39TT (2) 39w Twin Tube/2G11 2F39/1H75P (2) 39w Twin Tube/2G11 & (1) 75w Par38 Halogen Downlight/Medium	120 120V 277 277V 347* 347V	DIM Advance Mark 10 5% Dimming Ballast
	12DIA 12 Inch Nominal Diameter	4/40TT (4) 40w Twin Tube/2G11 4F40/1H100P (4) 40w Twin Tube/2G11 & (1) 100w Par38 Halogen Downlight/Medium 4F40/1H75P (4) 40w Twin Tube/2G11 & (1) 75w Par38 Halogen Downlight/Medium		Available with 40TT source only

Lens	Finish	Special	Describe Modification:	Notes	Weight
OAE Opal Acrylic Etched FAH4 White Vein Hand Painted Faux Alabaster FAH5 Antique Hand Painted Faux Alabaster (Beige) FAH6 Gray Vein Hand Painted Faux Alabaster FAH7 Beige Vein Hand Painted Faux Alabaster	PB Polished Brass PN Polished Nickel CPF* Custom Paint Finish CMF* Custom Metal Finish	MOD* Modification / Consult Factory		1 UL listed and cUL approved. 2 Winona Lighting products are union made. 3 Custom Sizes and Finishes available upon request. 4 All Fluorescent fixtures available in 120V and 277V. 5 Winona Lighting reserves the right to make design changes without prior notice. 6 Lamps not included. *Available by modification only. Consult factory.	2/39TT-WFP5440-10DIA 15lbs 2F39/1H75P-WFP5440-10DIA 20lbs 4/40TT-WFP5440-12DIA 25lbs 4F40/1H100P, 4F40/1H75P-WFP5440-12DIA 30lbs Note: All pendants over 50 lbs require additional hanging support.