

Basic Hardwall Booths



Show Management will provide hardwalls for all in-line booths at no charge to exhibitors.



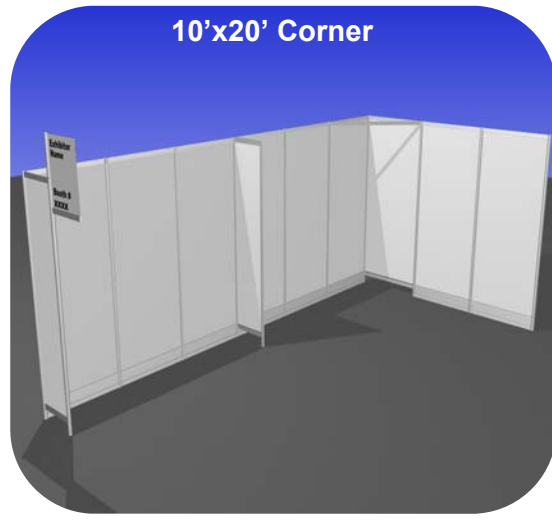
10'x10' Exhibit



10'x10' Corner



10'x20' Exhibit



10'x20' Corner

Inclusions

- Install and dismantle of exhibit.
- White Panels.
- "Flag" sign 18"wx26 1/4"h (2.5" tall characters-Company name & Booth Number. Text provided by AIMEXPO).

Not Included

- Carpet is NOT included. Show rules require floor covering. If you do not have your own floor covering, please order from the Carpet Order Form.
- Electric is NOT included.

Interested in a Custom Exhibit?

Email: info@bredeallied.com

Additional Booth furnishings can be found throughout manual. Look for accessories, upgraded carpet, carpet pad, graphics, chairs, etc.

Booth modifications to the "Basic Hardwall Booths" configuration must be approved in advance by show management & Brede/Allied. After review, modifications may be performed on show site by Brede/Allied personnel. (For liability reasons, exhibitors may not modify the hard wall structure themselves.) Approved modifications will be performed on a labor & materials work ticket at the exhibitor's expense

Please Note: Any adhesives that leave a residue could be subject to labor charges for clean up at the exhibitors expense.

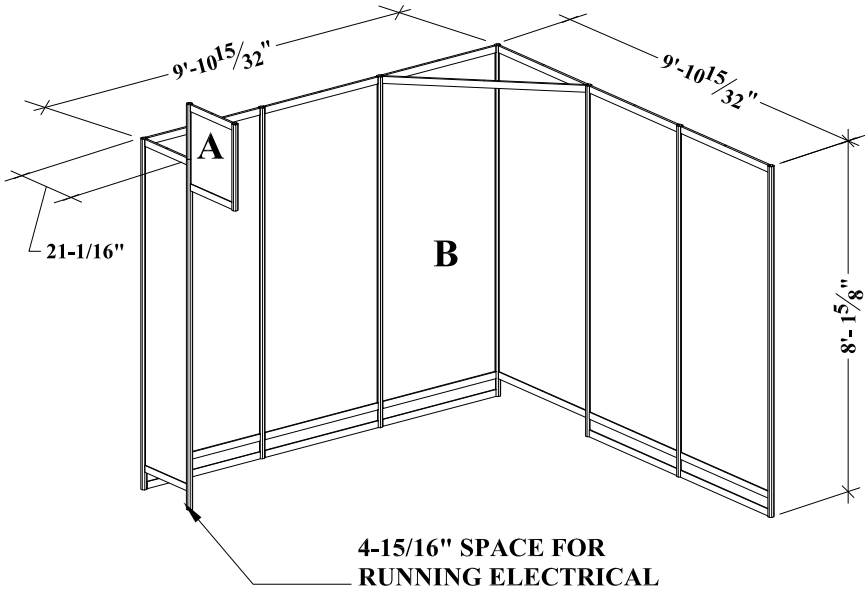


Find more on Bredeallied.com

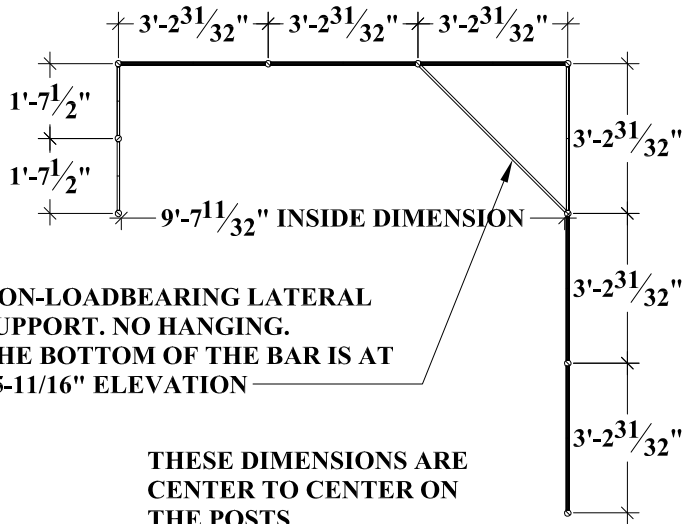
10X10 CORNER HARDWALL BOOTH

THESE DIMENSIONS ARE OUTSIDE TO OUTSIDE (OVERALL)

PANELS	QTY	SIZE	COLOR	GRAPHICS	MATERIAL	PACKED
A) PNL05MX20	1	18-5/8"X20-7/8"	WHITE	YES	SINTRA	
B) PNL1MX89	6	38-1/4"X89-1/2"	WHITE	NO	SINTRA	
C) PNL .5MX89	1	18-5/8"X89-1/2"	WHITE	NO	SINTRA	



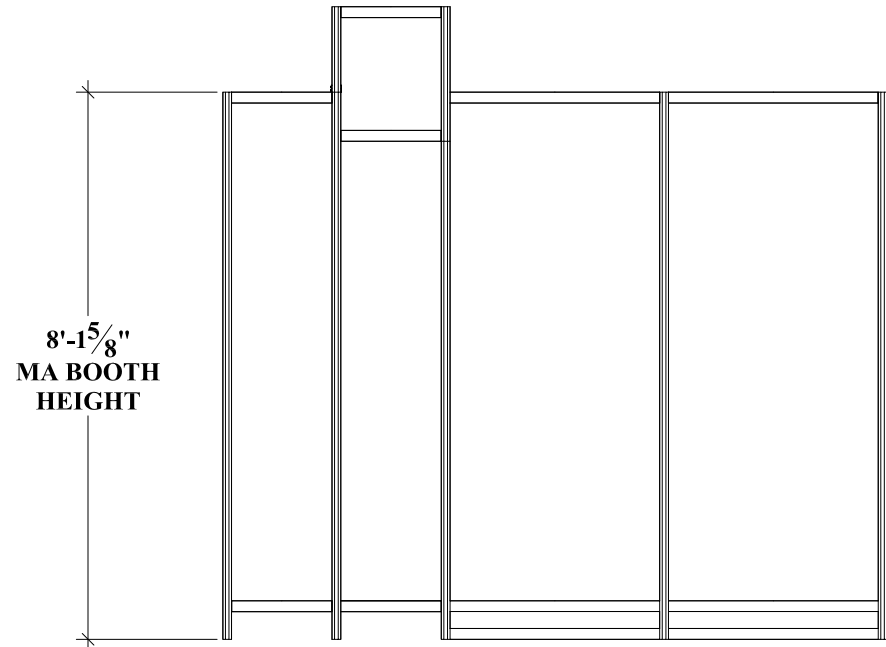
PERSPECTIVE



NON-LOADBEARING LATERAL SUPPORT. NO HANGING. THE BOTTOM OF THE BAR IS AT 95-11/16" ELEVATION

THESE DIMENSIONS ARE CENTER TO CENTER ON THE POSTS

PLAN VIEW

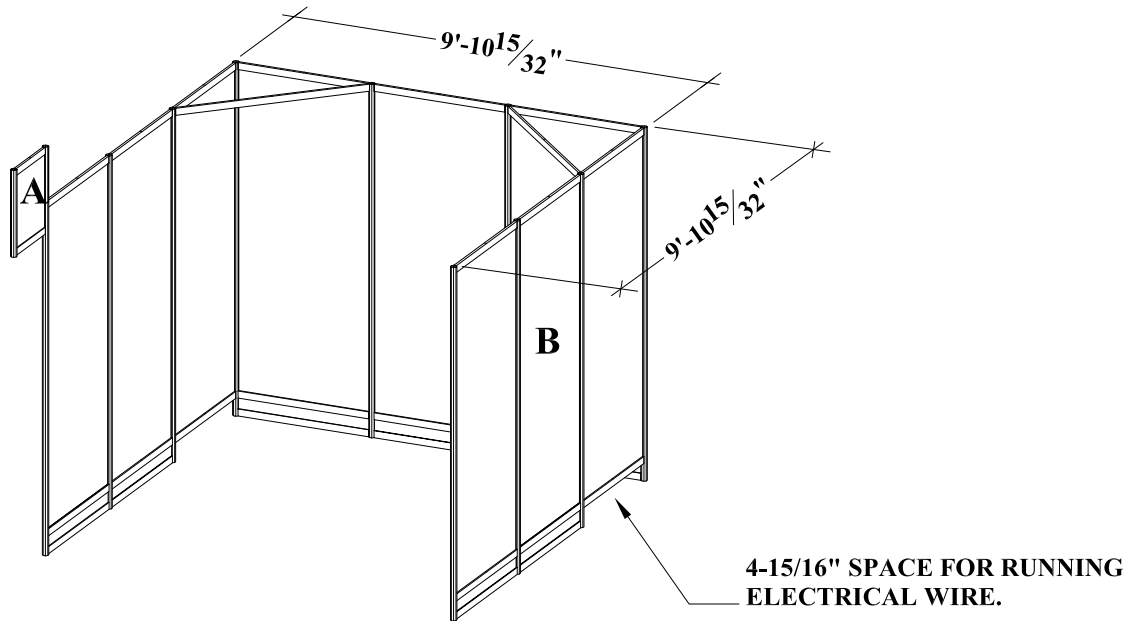


ELEVATIONS

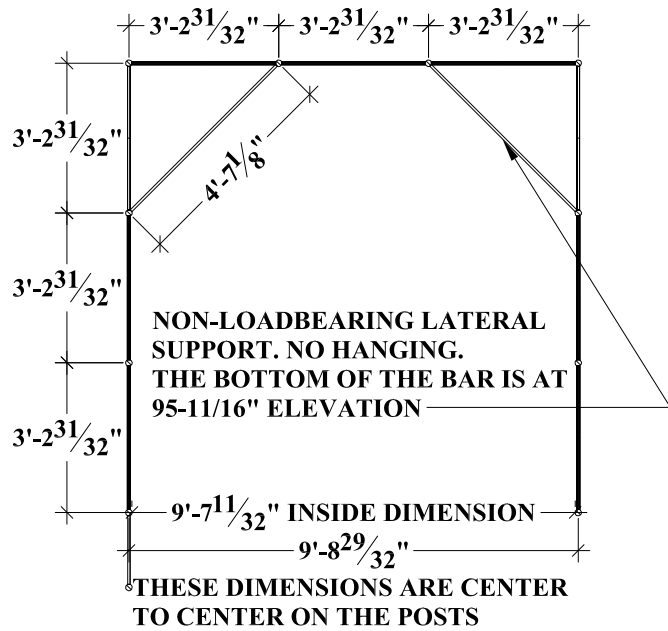
10X10 INLINE HARDWALL BOOTH

PANELS	QTY	SIZE	STYLE	COLOR	GRAPHICS	MATERIAL
A) PNL05MX20	1	18-5/8"X20-7/8"		WHITE	NO	SINTRA
B) PNL1MX89	9	38-1/4"X89-1/2"		WHITE	NO	SINTRA

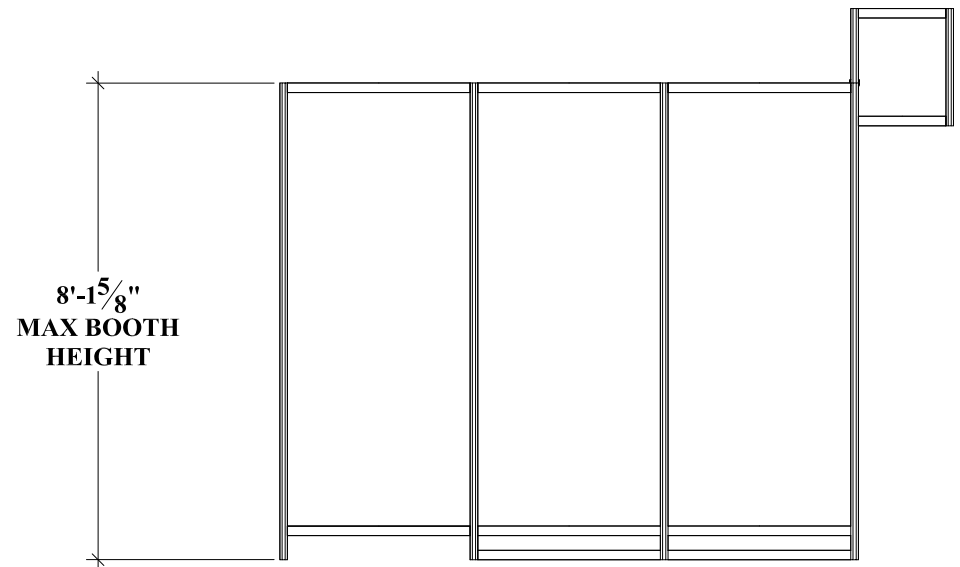
THESE DIMENSIONS ARE OUTSIDE TO OUTSIDE (OVERALL)



PERSPECTIVE



PLAN VIEW

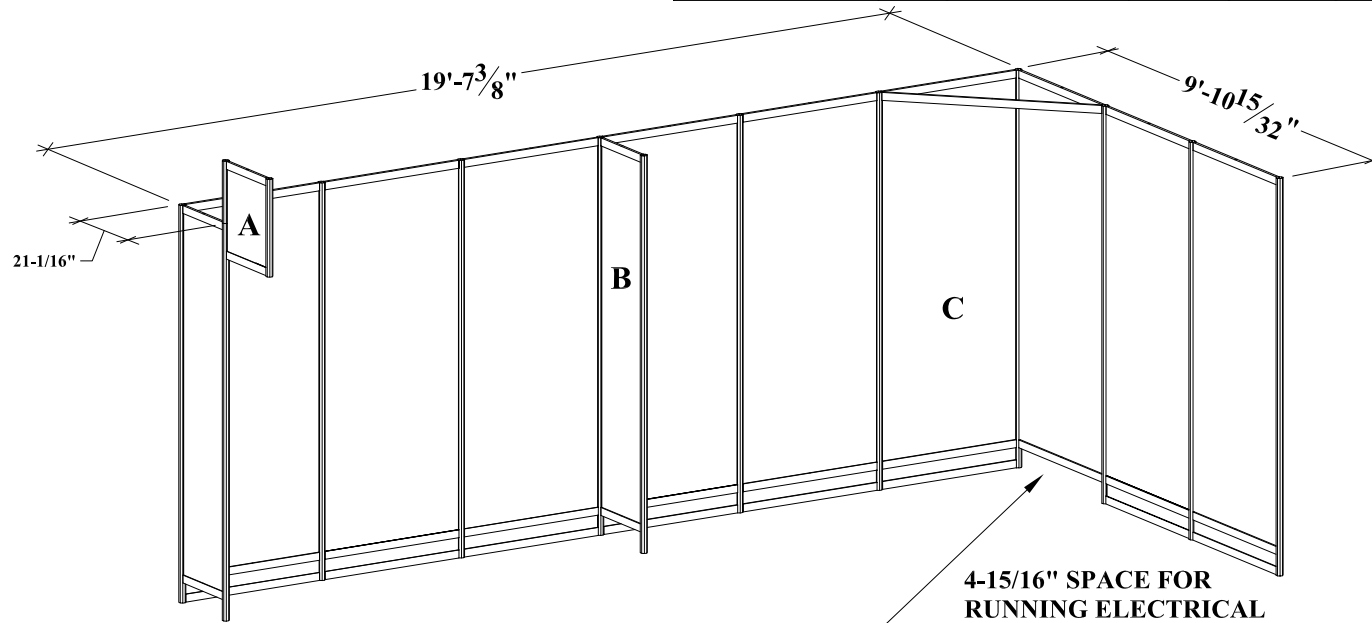


ELEVATIONS

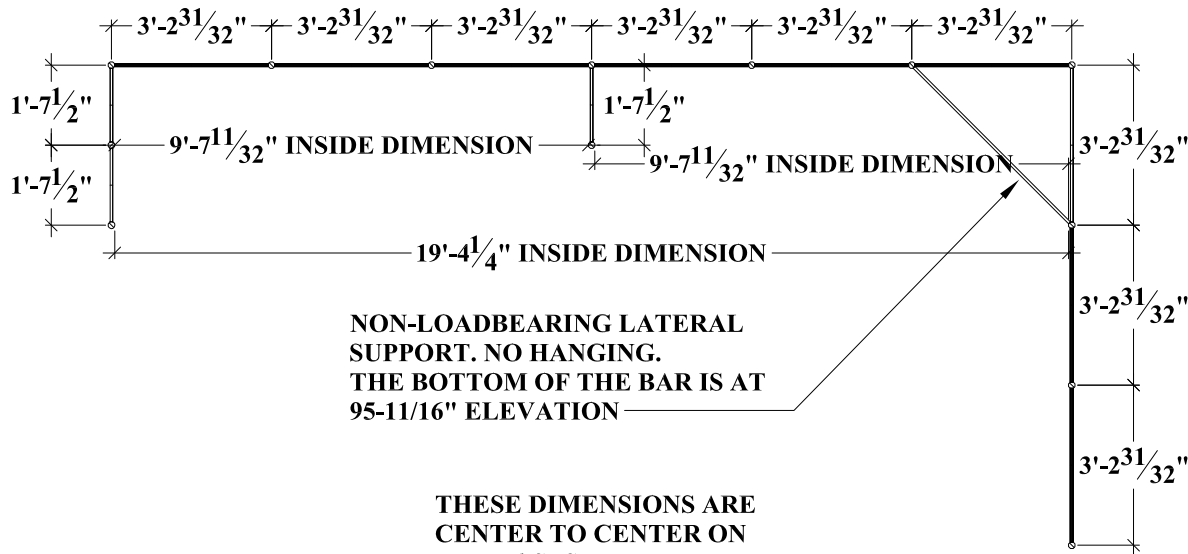
10X20 CORNER HARDWALL BOOTH

THESE DIMENSIONS ARE OUTSIDE TO OUTSIDE (OVERALL)

PANELS	QTY	SIZE	STYLE	COLOR	GRAPHICS	MATERIAL
A) PNL05MX20	1	18-5/8"X20-7/8"		WHITE	YES	SINTRA
B) PNL05MX89	2	18-5/8"X89-1/2"		WHITE	NO	SINTRA
C) PNL1MX89	9	38-1/4"X89-1/2"		WHITE	NO	SINTRA



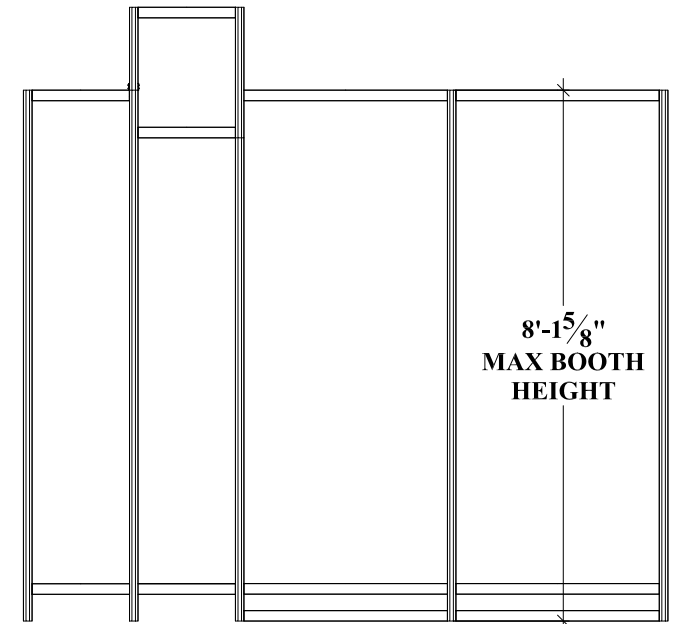
PERSPECTIVE



NON-LOADBEARING LATERAL SUPPORT. NO HANGING. THE BOTTOM OF THE BAR IS AT 95-11/16" ELEVATION

THESE DIMENSIONS ARE CENTER TO CENTER ON THE POSTS

PLAN VIEW



LEFT ELEVATIONS

10X20 CORNER HARDWALL BOOTH

THESE DIMENSIONS ARE OUTSIDE TO OUTSIDE (OVERALL)

PANELS	QTY	SIZE	STYLE	COLOR	GRAPHICS	MATERIAL
A) PNL05MX20	1	18-5/8"X20-7/8"		WHITE	YES	SINTRA
B) PNL05MX89	2	18-5/8"X89-1/2"		WHITE	NO	SINTRA
C) PNL1MX89	9	38-1/4"X89-1/2"		WHITE	NO	SINTRA

