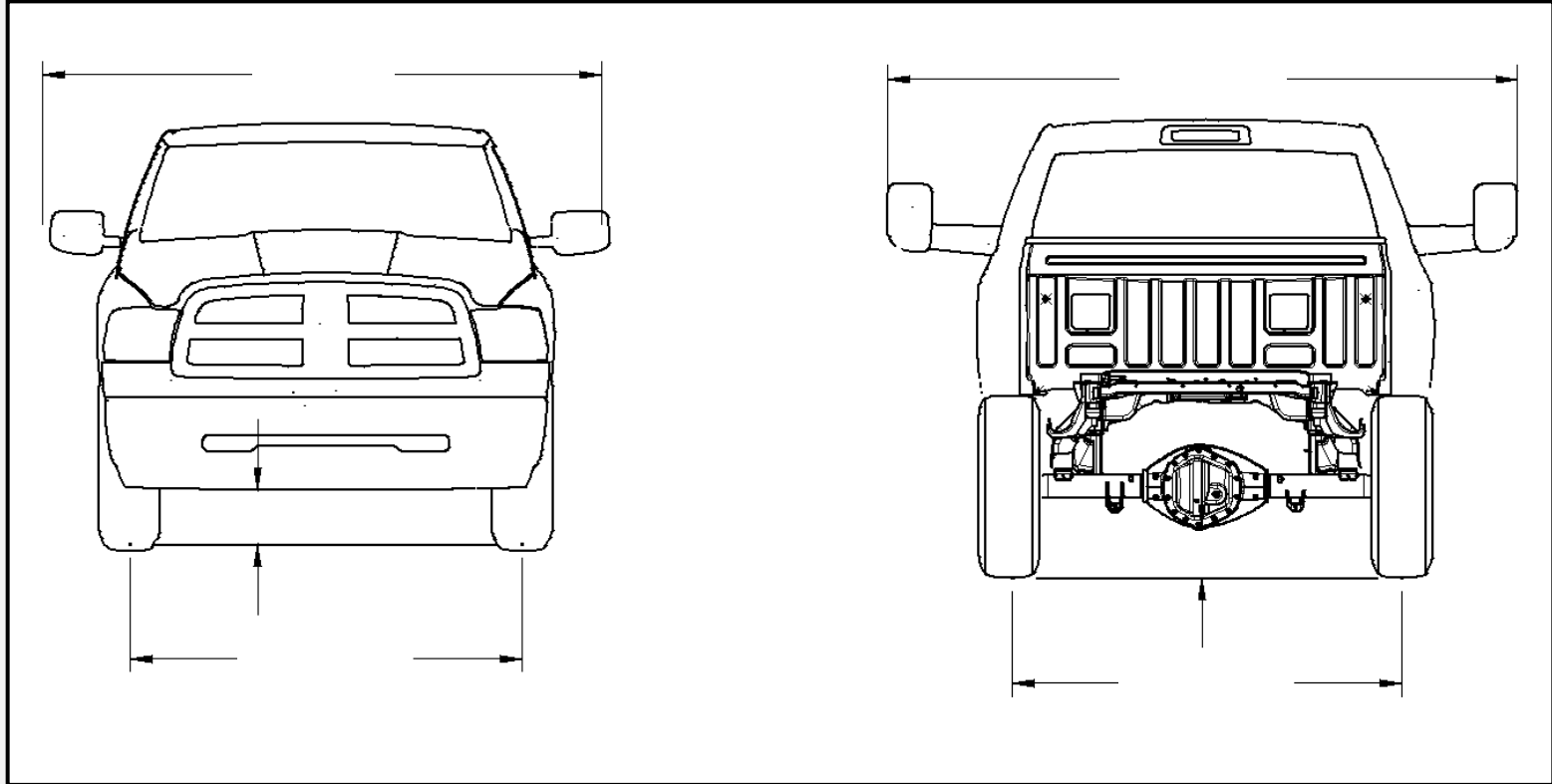


2013 REGULAR CAB 3500 140.5"WB 4x2 SRW Box Off

09/01/2012

POSITION THE MOUSE OVER THE CODE FOR INSTANT DIMENSION

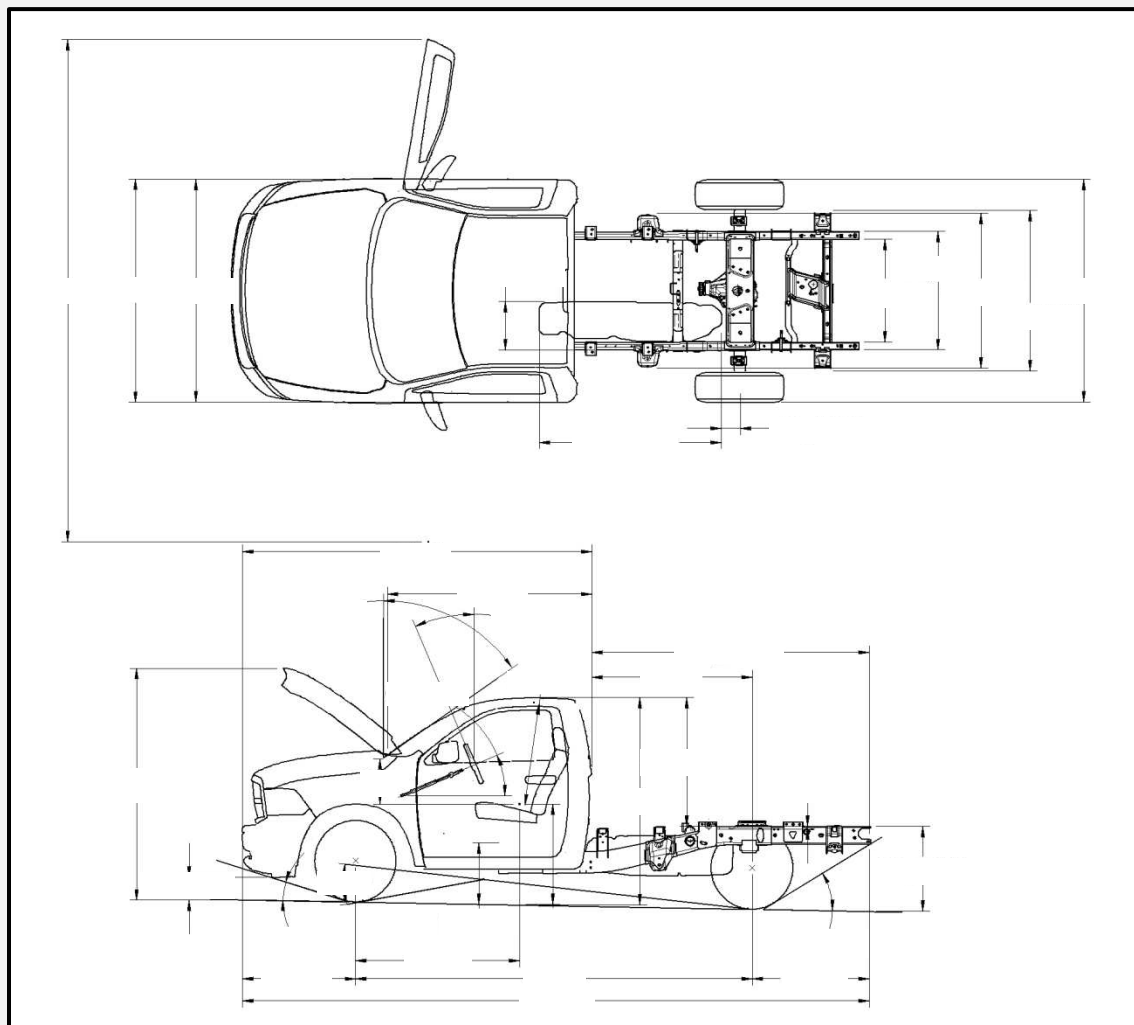


➤ PLAN & SIDE VIEW

➤ CHARTS

2013 REGULAR CAB 3500 140.5"WB 4x2 SRW Box Off

POSITION THE MOUSE OVER THE CODE FOR INSTANT DIMENSION



➤ FRONT & REAR VIEW

➤ CHARTS

2013 REGULAR CAB 3500 140.5"WB 4x2 SRW Box Off

09/01/2012

Code	Description	Metric	English
CG_TRL2	Fuel Tank Length	1647.3 mm	64.8 in
CG_TRL3	Rear Wheel Center line to Fuel Tank	161.8 mm	6.4 in
CG_TRL4	Back of Cab to Taillamp	2655.7 mm	104.5 in
L103	Vehicle Length	5637.7 mm	222.0 in
L403	Front Bumper to Back of Cab (BBC)	3127.0 mm	123.1 in
L404	Cab to Rear Axle (CA)	1439.2 mm	56.7 in
L410	Cab Length	1838.4 mm	72.4 in

Code	Description	Metric	English
A18	Steering Wheel Angle	22.9 deg	22.9 deg
A121-1	Window Slope Angle-Windshield	55.1 deg	55.1 deg
CG_A18	Steering Column Angle	23.4 deg	23.4 deg
CG_TRH4	Top of Frame to top of Cab	1158.0 mm	45.6 in
CG_TRH6	Top of Frame to Top of Fuel Tank	22.5 mm	0.9 in
H6	SgRP - Front to Windshield Lower DLO	405.8 mm	16.0 in
H61-1	Effective Head Room - Front	1022.6 mm	40.3 in

Code	Description	Metric	English
CG_FW3	Rear Suspension Front Spring Bolt	1398.7 mm	55.1 in
CG_FW4	Rear Suspension Rear Spring Bolt	1443.4 mm	56.8 in
CG_FW5	Rear Frame - Inside Width	922.0 mm	36.3 in
CG_FW6	Rear Frame - Outside Width	1062.0 mm	41.8 in
CG_TRW1	Outside Rail to Fuel Tank(inside)	442.4 mm	17.4 in
CG_TRW6	Outside Of Rear Tires	1986.3 mm	78.2 in
W104	Vehicle Width-Mirrors(std)	2463.3 mm	97.0 in
W104B	Vehicle Width-Mirrors(Trailer)	2776.1 mm	109.3 in
W106	Fender Width - Front	2003.6 mm	78.9 in
W117	Body Width At SgRP - Front	2005.1 mm	78.9 in
W120-1	Vehicle Width, Doors Open - Front	4513.7 mm	177.7 in

➔ TIRE CHART

➔ FRONT & REAR VIEW

➔ PLAN & SIDE VIEW

2013 REGULAR CAB 3500 140.5"WB 4x2 SRW Box Off

09/01/2012

Code	Description	275/70R18		285/60R20	
		Metric	English	Metric	English
A106-1	Angle of Approach	20.9 deg	20.9 deg	21.3 deg	21.3 deg
A106-2	Angle of Departure	38.6 deg	38.6 deg	38.8 deg	38.8 deg
A147	Ramp Breakover Angle	21.6 deg	21.6 deg	22.0 deg	22.0 deg
CG_H511	Bottom of Open Hood to Ground	2186.1 mm	86.1 in	2191.2 mm	86.3 in
CG_TRH7	Top of Frame(at rear) to Ground	891.6 mm	35.1 in	895.1 mm	35.2 in
CG_TT18	Turn Circle Diameter (feet/meters)*	12.9 m	42.2 ft	12.9 m	42.2 ft
H5-1	SgRP to Ground - Front	1013.6 mm	39.9 in	1018.1 mm	40.1 in
H101	Vehicle Height(curblLoad)	1973.6 mm	77.7 in	1978.0 mm	77.9 in
H103-1	Fascia(Bumper) to Ground - Front	273.8 mm	10.8 in	278.9 mm	11.0 in
H108-1	Static Load Radius - Front Tire *	398.6 mm	15.7 in	403.6 mm	15.9 in
H108-2	Static Load Radius - Rear Tire *	407.5 mm	16.0 in	411.3 mm	16.2 in
H115-1	Step Height - Front	661.2 mm	26.0 in	665.6 mm	26.2 in
H148-1	Suspension or Axel to Ground - Front	186.4 mm	7.3 in	191.3 mm	7.5 in
H148-2	Suspension or Axel to Ground - Rear	219.6 mm	8.6 in	223.3 mm	8.8 in
L101	Wheelbase	3555.5 mm	140.0 in	3555.5 mm	140.0 in
L104	Overhang - Front	1010.7 mm	39.8 in	1010.7 mm	39.8 in
L105	Overhang - Rear	1071.4 mm	42.2 in	1071.4 mm	42.2 in
L114	Front Wheel Centerline toSgRP - Front	1466.2 mm	57.7 in	1466.2 mm	57.7 in
L404	Cab to Rear Axle (CA)	1439.2 mm	56.7 in	1439.2 mm	56.7 in
W101-1	Tread Width - Front Tires	1719.0 mm	67.7 in	1724.0 mm	67.9 in
W101-2	Tread Width - Rear Tires	1703.6 mm	67.1 in	1708.6 mm	67.3 in