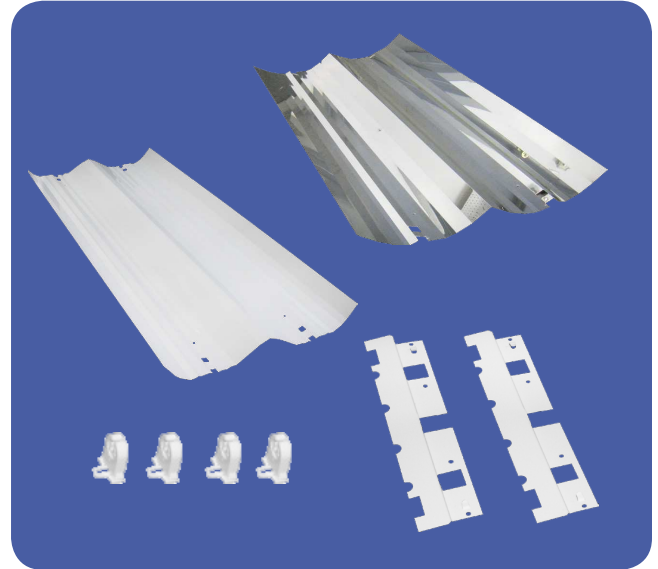


#### APPLICATIONS

This kit is designed to convert most recessed fluorescent 2x2 and 2x4 troffers and parabolics from T12 or T8 to more efficient T8, T5 or led technology. These kits provide everything required to enhance the performance and energy savings of your recessed fixture while minimizing labor, clean up and expense. Choice of highly polished mirrored reflector or enhanced white reflector, both designed to maximize output and efficiency. Kits include centering socket bars with snap in tabs for reflectors, appropriate instant start / program start sockets and tek screws for easy assembly. To easily include a specific ballast please add the appropriate ballast code. Kit installs with simple hand tools in minutes.

#### FEATURES & BENEFITS

- ◆ 2, 3 or 2 lamp positions
- ◆ Lamps are secured with rotary locking lamp sockets
- ◆ Lamp socket accepts No. 18 gauge wire, either solid, solder dipped or twisted-tinned or fuse wire.
- ◆ Reflectors are precision formed and high performance
- ◆ Premium aluminum mirrored specular reflector has greater than 91% reflectivity.
- ◆ Premium aluminum mirrored specular reflector or enhanced white reflector
- ◆ Suitable for damp locations
- ◆ SMALL CAN ballast ONLY accommodated
- ◆ Ballast and lamps can be ordered with these kits
- ◆ UL Listed sockets and ballast components



#### SPECIFICATIONS

The RKT retrofit kits mount easily, requiring only simple hand tools. The process includes removal of the existing ballast cover(s) and removal of the existing socket brackets and ballast. The reflectors are a premium grade and standard full specular mirrored aluminum, and high-reflective white. Socket bars are standard white.

#### ORDERING DATA

EXAMPLE: RKT22-114WPMV

\* Customized kits

Series	Troffer/Parabolic Size	Nbr. of Lamps (per cross section)	Lamp Type	Aluminum Reflector	Socket Type	Ballast <sup>1,2</sup>	Configuration <sup>2</sup>
RKT Retrofit Kit	14 1x4 Troffer/Parabolic 22 2x2 Troffer/Parabolic 24 2x4 Troffer/Parabolic	1 2 3 4	14 14WT5 17 17WT8 24 24WT5HO 28 28WT5 32 32WT8 54 54WT5HO	W High Reflectivity White M High Reflectivity Mirror	I Instant Start Ballast P Program Start Ballast	BLANK No Ballast MV Multi-Volt PMV Program Start	BLANK W

\*Standard Kits

Item Number	Description	Lamping
RKT22-217MI	2X2 Troffer Retrofit 2 Lamp Mirrored Kit	2 - F17T8
RKT22-217WI	2X2 Troffer Retrofit 2 Lamp White Kit	2 - F17T8
RKT24-232MI	2X4 Troffer Retrofit 2 Lamp Mirrored Kit	2 - F32T8
RKT24-232WI	2X2 Troffer Retrofit 2 Lamp White Kit	2 - F32T8

#### CUSTOMIZED KIT NOTES

- [1] Ballasts only available for 2x2 and 2x4 retrofit kits.  
[2] See Ballast Specification Table for specific ballast.

#### STANDARD KIT NOTES

"I" is for short, shunted snap fit lamp holders for Instant Start Ballasts.  
"P" is for short, un-shunted snap fit lamp holders for Program Start or dimmable ballasts. Ballasts sold separately on these kits.

**BALLAST SPECIFICATIONS**

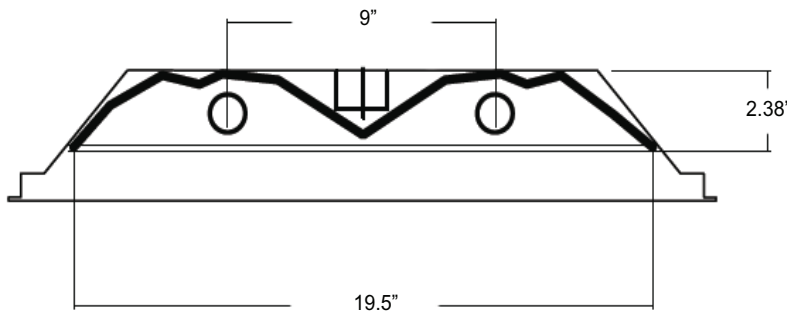
**Brands**

Code	Description
A	Advance
G	GE Ballast
L	Lutron
S	Osram/Sylvania
U	Universal

**Performance Levels**

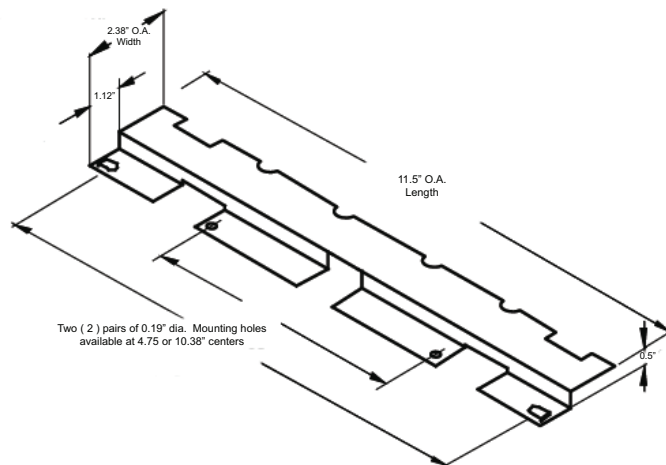
Ballast			
Manufacturer	Standard - Leave blank if no preference	High Efficiency Instant Start	High Efficiency Program Start
Advance (A)	Centium ICN (A)	Optanium (AL, AN, AH)	Optanium PS (APL, APN, APH)
GE (G)	Proline GE (G)	UltraMax (GL, GN, GH)	UltraStart (GPL, GPH, GPH)
Osram/Sylvania (S)	Quicktronic Pro (S)	Quicktronic QHE (SL, SN, SH)	ProStart (SPL, SPN, SPH)
Universal (U)	ULT STD Electronic (U)	HP Electronic (UL, UN, UH)	AccuStart (UPI, UPN, UPH)

**DIMENSIONS**



**2 Lamp End View**

**Socket Bar**



Dimensions and specifications subject to change without notice.