

**APPLICATION**

Suspended incandescent and compact fluorescent downlights for general illumination in medium to high ceiling applications such as offices, malls, and retail spaces. The aperture disc of tempered glass or acrylic plastic with frosted center further diffuses and softens the illumination while enhancing the aesthetic appeal of the fixture.

**PRODUCT DATA**

**SHADE:** "Split" reflector features acrylic upper shade in white or amber and satin anodized aluminum lower shade. A variety of colors are offered. Contact sales department for custom colors.

**DECORATIVE DISC:** Tempered soda-lime glass disc with center hole for easy lamp replacement. Frosted center softens illumination. Also available with optional acrylic plastic disc, specify when ordering.

**MECHANICAL:** The cylindrical housing is constructed of satin anodized aluminum extrusions, finned for optimum heat dissipation. Anodized aluminum "rocket" arms support decorative elements while projecting a rugged industrial appearance of the fixture.

**LAMP DATA / SOCKETS:**

**INCANDESCENT** – Single lamp operation. Medium base porcelain socket with nickel plated screw shell.

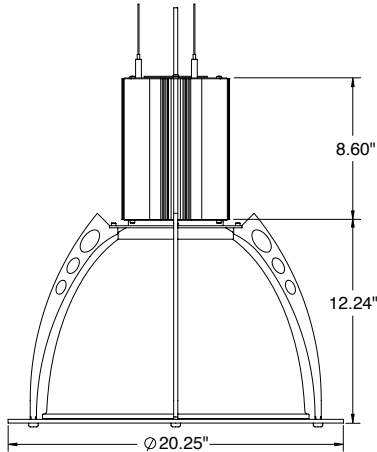
**LAMP DATA**

LAMP	WATTS	BASE	LUMENS
100W A-19 I.F.	100	MED	1650
150W A-21 I.F.	150	MED	2850
200W A-23 I.F.	200	MED	4010

**COMPACT FLUORESCENT** – Single or multiple lamp operation. Positive latch 4-Pin thermoplastic socket(s).

**LAMP DATA**

LAMP	WATTS	BASE	BALLAST	LUMENS
Triple Tube 4-Pin	26	GX24q-3	Elec.	1800
	32	GX24q-3	Elec.	2400
	42	GX24q-4	Elec.	3200
	57	GX24q-5	Elec.	4300



**SERIES P45/PR16/AP20**

Incandescent & Fluorescent Pendant Downlight with Decorative Disc



Catalog #:

**P45**

Example: P45242E4C1AA/PS16WAW/AP20

Fixture Series	Lamp Wattage	Ballast Voltage	Suspension	Ceiling Canopy / Cord Color	Upper Housing Finish	Options	Arm Color								
P45	<table border="1"> <thead> <tr> <th>QTY.</th> <th>TYPE</th> </tr> </thead> <tbody> <tr> <td>1, 2, 3, or 4</td> <td>32 Triple</td> </tr> <tr> <td>1, 2, 3, or 4</td> <td>42 Triple</td> </tr> <tr> <td>1 or 2</td> <td>57 Triple</td> </tr> </tbody> </table>	QTY.	TYPE	1, 2, 3, or 4	32 Triple	1, 2, 3, or 4	42 Triple	1 or 2	57 Triple	<b>E4</b> – Electronic 120/277 <b>DIMMING BALLASTS (2 Lamp Max)</b> <b>D1</b> – Lutron 120V <b>D2</b> – Lutron 277V <b>DT</b> – Lutron TU Wire (120V only) <b>A1</b> – Advance Mark X 120V <b>A2</b> – Advance Mark X 277V <b>A4</b> – Advance Mark VII 120 - 277V <sup>^</sup> (requires 4 wire dimming control)	<b>C</b> = Aviation Cable coiled 10' cord <b>S</b> = Aviation Cable/straight 10' cord <i>For special length, specify in feet (ie, C16 = 16')</i> <b>P</b> = Pendant provision <b>F</b> = Surface Mount <b>W1</b> = Straight Wall Bracket <b>W2</b> = Rocket Wall Bracket <b>PH*</b> = Power Hook <i>*Increases overall height 4.5"</i>	(for <b>C &amp; S</b> mounting) <b>1</b> = White canopy, White cord <b>2</b> = White canopy, Black cord <b>3</b> = Black canopy, White cord <b>4</b> = Black canopy, Black cord <b>5</b> = Bronze canopy, White cord <b>6</b> = Bronze canopy, Black cord <b>7</b> = Silver canopy, White cord <b>8</b> = Silver canopy, Black cord	<b>A</b> = Anodized Aluminum <b>W</b> = White <b>B</b> = Black <b>Z</b> = Bronze	<b>EM*</b> = Emergency Power Pack <b>F</b> = Fuse <b>1</b> = Conical Lens <b>2</b> = Clear Flat Acrylic Lens <b>3</b> = Clear Domed Acrylic Lens	<b>A</b> = Anodized Aluminum <b>W</b> = White <b>B</b> = Black <b>Z</b> = Bronze
	QTY.	TYPE													
	1, 2, 3, or 4	32 Triple													
1, 2, 3, or 4	42 Triple														
1 or 2	57 Triple														
	<b>A21</b> – 150 watt Incandescent <b>A23</b> – 200 watt Incandescent	<b>2</b> – (277 Volt, for incandescent models)													

\* EM option for 1 or 2 Lamp 32-42W Fluorescent Fixture Only  
<sup>^</sup>DA4 only available on 1-2 lamp operation 26-42 watt lamps

Shade Style	Lower Shade	Decor Attachment				
PR16 = Reflector	<table border="1"> <thead> <tr> <th>Exterior:</th> <th>Interior:</th> </tr> </thead> <tbody> <tr> <td>A = Anodized Aluminum W = White B = Black Z = Bronze</td> <td>W = White</td> </tr> </tbody> </table>	Exterior:	Interior:	A = Anodized Aluminum W = White B = Black Z = Bronze	W = White	<b>AP20</b> = Acrylic Disc <b>FG20</b> = Soda Lime Glass Disc <b>CB20</b> = Cobalt Glass Disc
Exterior:	Interior:					
A = Anodized Aluminum W = White B = Black Z = Bronze	W = White					



For Damp Location

Manufactured and tested to UL#1598 and CSA standards.  
 Note: Suitable for damp location.

Fixture: \_\_\_\_\_ Type: \_\_\_\_\_  
 Project: \_\_\_\_\_

All Pathway® products meet or exceed requirements as established by the National Electrical Code. Specifications subject to change without notice.



Pathway Lighting Products, Inc., P.O. Box 591, Old Saybrook, CT 06475-0591  
 voice 800.342.0592 • fax 800.207.0090 • www.pathwaylighting.com • e-mail: sales@pathwaylighting.com

Series P45/PR16/AP20 Pendant - Incandescent & Fluorescent Pendant Downlight with Decorative Disc

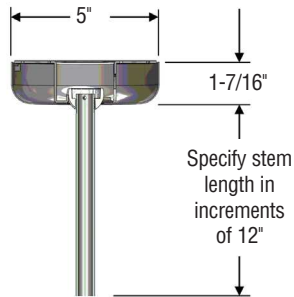
AVAILABLE OPTIONS



**10' AVIATION CABLE AND  
COILED CORD (C)**



**10' AVIATION CABLE AND  
STRAIGHT CORD (S)**  
Contact Sales Department for  
custom lengths.



**ELECTRICAL**

Supplied standard with white three wire cord or coiled cord, specify when ordering.

INCANDESCENT – 120 volt / 200 watt maximum.

FLUORESCENT – *Programmed* start, High Power Factor Electronic Ballast 120 volt to 277 volt, 50 to 60Hz, input. Total harmonic distortion (THD) under 10%. Consult technical section of catalog for additional information.

**PENDANT MOUNT (P)**

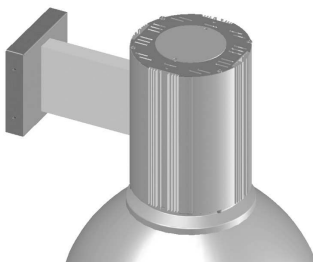
Supplied standard with matte white ceiling canopy and ten (10) feet of aviation cable. Mounting height is field adjustable without the use of tools. Optional mounting with pendant or power hook. Pendant Kit specified separately.

**EXAMPLE: PK 24 SA**

Swivel Pendant Kit \_\_\_\_\_

Stem Length in inches (add 1.5" for canopy) \_\_\_\_\_

Satin Aluminum (SA), White Finish (W),  
Black (B), or Bronze (Z) \_\_\_\_\_



**WALL MOUNT (W1)**



**ROCKET ARM  
WALL MOUNT (W2)**