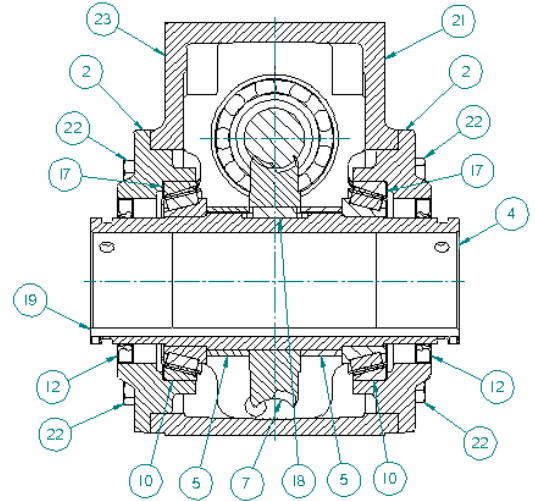
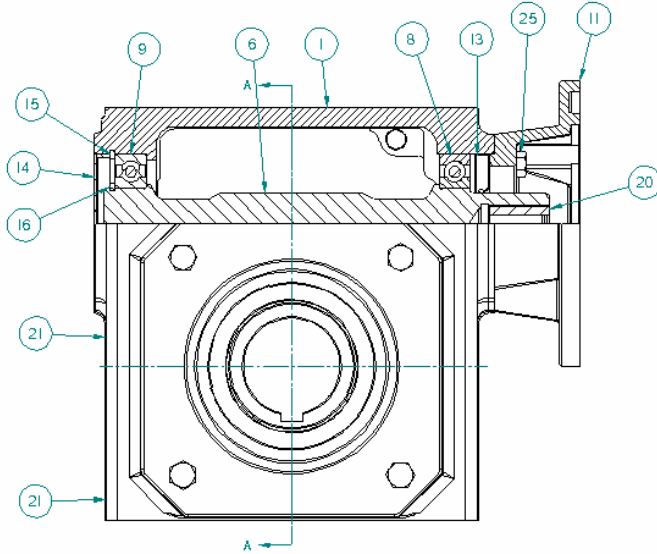




**Parts List for
1.33 Center Distance
Style "QH Plus"**

Emerson Power Transmission
P. O. Box 687
Maysville, KY 41056
Phone: 606-564-2093

FORM 9125
Page 1
January 2008



Item No.	Description	Part No.	No. Req'd	Additional Description
1	Housing	KB2002	1	
2	Bearing Carrier – Open	KB2007	2	
3				
4	Output Shaft – Quill/Hollow	KB2016	1	
5	Spacer – Gear	KB2022	2	
6	Worm – 5:1 Ratio – 5/8" Bore Worm – 10:1 Ratio – 5/8" Bore Worm – 15:1 Ratio – 5/8" Bore Worm – 20:1 Ratio – 5/8" Bore Worm – 25:1 Ratio – 5/8" Bore Worm – 30:1 Ratio – 5/8" Bore Worm – 40:1 Ratio – 5/8" Bore Worm – 50:1 Ratio – 5/8" Bore Worm – 60:1 Ratio – 5/8" Bore	KB2141 KB2142 KB2143 KB2144 KB2145 KB2146 KB2147 KB2148 KB2149	1	
7	Worm Wheel – 5:1 Ratio Worm Wheel – 10:1 Ratio Worm Wheel – 15:1 Ratio Worm Wheel – 20:1 Ratio Worm Wheel – 25:1 Ratio Worm Wheel – 30:1 Ratio Worm Wheel – 40:1 Ratio Worm Wheel – 50:1 Ratio Worm Wheel – 60:1 Ratio	KB1263 KB1265 KB1266 KB1267 KB1268 KB1269 KB1270 KB1271 KB1272	1	
8	Bearing – Input – Front	FF3094	1	6205
9	Bearing – Input – Back	FF3058	1	6204-C3
10	Bearing – Output	FF2265	2	32005 XA
11	Motor Flange – 56C	KB2009	1	
12	Seal - Output	FG3081	2	CR 9503



**Parts List for
1.33 Center Distance
Style "QH Plus"**

Emerson Power Transmission
P. O. Box 687
Maysville, KY 41056
Phone: 606-564-2093

FORM 9125
Page 2
January 2008

13	Seal – Input	FG1687	1	CR 9480
14	Bore Plug – Input	FG3004	1	CP-47-5
15	Snap Ring – Housing	FI1226	1	N5000-185
16	Snap Ring – Worm	FI1054	1	Ext HD 5160-75
17	Shims	FI0931	3	0.003 thick
		FI0932	3	0.007 thick
		FI0933	2	0.010 thick
		FI0934	1	0.025 thick
18	Key – Worm Wheel	FH0077	1	¼ SQ x 5/8
19	Key – Output	FH0252	1	3/16 SQ x 4 1/2
20	Quill Liner – 56C	FA0574	1	
21	Oil Plug	FK0504	4	SOC HD PP ¼
22	Cap Screws	FJ8002-F10	8	HX HD CS ¼ - 20 x 5/8 P5
23	Breather	FJ9879	1	
		FK3037	1	
24				
25	Motor Flange Capscrews	FJ8102-F12	4	SOC HD CS ¼ - 20 x ¾ G8
	Motor Capscrews	FJ8002-H100	4	HX HD CS 3/8 – 16 x 1 P5
	Motor Lockwashers	FJ8712-H	4	LW-S 3/8 .38/.68/.10P
	Oil	FU0496	6 oz.	Polyglycol 460
	Set Screw – Quill – Keyway	FJ8202-C02	2	SS SCUP #6 - 32 x 1/8 P5
	Set Screw – Quill	FJ8201-E04	4	SS SCUP #10 – 32 x ¼ P5
	Nameplate	FN0378	1	