

INSTRUCTIONS FOR:

STEEL WORKBENCHES

Model Nos:	AP1010.V3	AP1015.V3	AP1020.V3
------------	------------------	------------------	------------------

Thank you for purchasing a Sealey product. Manufactured to a high standard this product will, if used according to these instructions and properly maintained, give you years of trouble free performance.

IMPORTANT: PLEASE READ THESE INSTRUCTIONS CAREFULLY. NOTE THE SAFE OPERATIONAL REQUIREMENTS, WARNINGS & CAUTIONS. USE THE PRODUCT CORRECTLY AND WITH CARE FOR THE PURPOSE FOR WHICH IT IS INTENDED. FAILURE TO DO SO MAY CAUSE DAMAGE AND/OR PERSONAL INJURY, AND WILL INVALIDATE THE WARRANTY. PLEASE KEEP INSTRUCTIONS SAFE FOR FUTURE USE.

1. SAFETY INSTRUCTIONS

1.1 GENERAL SAFETY

- WARNING!** Ensure Health & Safety, local authority, and general workshop practice regulations are adhered to when using this bench.
- ✓ Locate bench in a suitable working area.
- ✓ Keep the work area clean, uncluttered and ensure there is adequate lighting.
- WARNING!** Use bench on level and solid ground, preferably concrete. Avoid tarmac since the bench may sink into the surface.
- ✓ Keep the bench clean and tidy in accordance with good workshop practice.
- ✓ Keep children and unauthorised persons away from the working area.
- WARNING!** This bench is not electrically insulated and is therefore not suitable for electrical repairs of any sort.
- x **DO NOT** use the bench for any purpose other than that for which it is designed.
- x **DO NOT** carry out any work on the bench without the workpiece being adequately secured. Use clamps or a vice (not included) to secure the workpiece (available from your Sealey dealer).
- x **DO NOT** use the bench outside.
- x **DO NOT** get the bench wet, or use in damp or wet locations or areas where there is condensation.
- x **DO NOT** clean the bench with any solvents which may damage the paint surface.
- WARNING!** These workbenches are heavy and assistance should be obtained before assembling or moving them.

2. INTRODUCTION AND SPECIFICATIONS

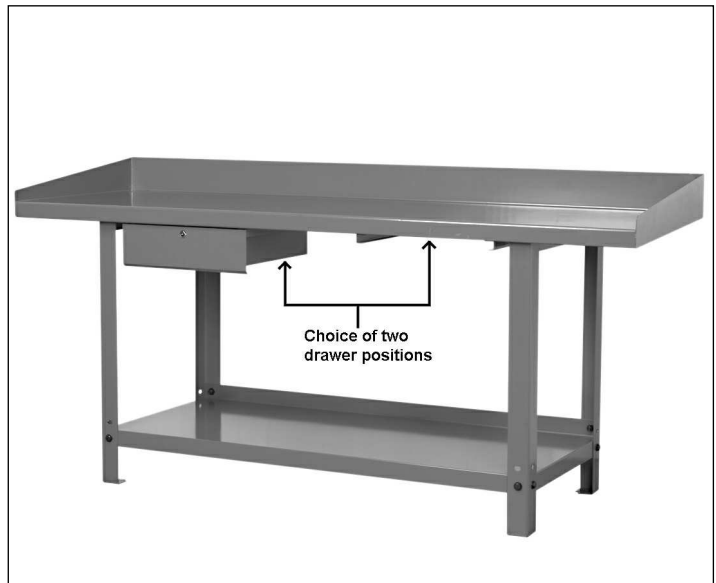
These benches are supplied with a single lockable drawer, models AP1015 and AP1020 have drawer runners on both sides of the centre. Manufactured throughout from steel plate for industrial durability and finished in red gloss to prevent corrosion. Includes a lower shelf for additional storage.

Model No:	AP1010	AP1015	AP1020
Height:	860mm	860mm	860mm
Width:	650mm	650mm	650mm
Length:	1000mm	1500mm	2000mm

AP1010

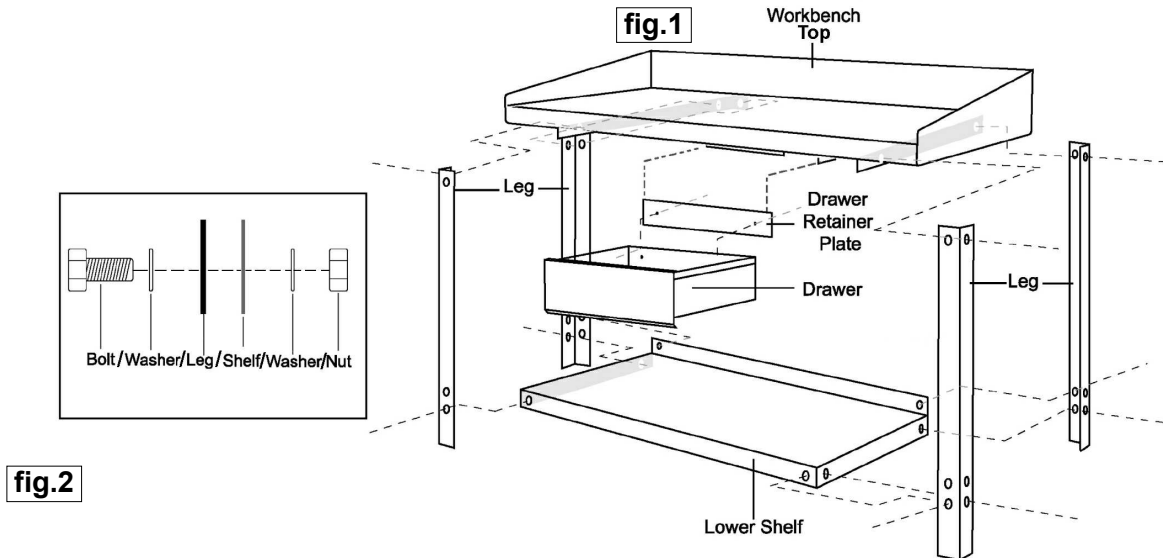


AP1015 / AP1020



3. CONTENTS

ITEM	QUANTITY	ITEM	QUANTITY
WORKBENCH TOP	1	SELF TAPPING SCREWS	2
LOWER SHELF	1	BOLTS	16
DRAWER WITH RETAINING PLATE	1	NUTS	16
LEGS	4	WASHERS	32



4. ASSEMBLY

WARNING: The workbenches are heavy. One person should not attempt to move the unassembled bench in the box, on their own. Ensure that there is adequate manpower or lifting equipment to place the box in the area in which it is intended to carry out the assembly. Ensure that the box is the right way up by referring to the symbols printed on the side of the box. Remove all parts and fixings from the box. Ensure that you have adequate help to remove the bench top from the box as it is too heavy for one person to lift safely. Unpack workbench and check to make sure that it has not been damaged during transit and check the contents against the contents list. Should there be any damaged or missing parts contact your supplier immediately.

ASSEMBLY

Note: All four legs of the workbench are identical.

Rear Legs

- 4.1. Rest the workbench top on its rear edge.
- 4.2. Align the two holes at the top of one of the legs with the two holes located at the rear of the mounting bracket.
- 4.3. Insert a bolt with a washer through each of the holes of the leg and then through the mounting bracket holes.
- 4.4. Place a washer and nut onto each of the bolts and hand tighten (fig.2).
- 4.5. Repeat steps 4.2. to 4.4. for the other rear leg.

Note: Do not fully tighten the nuts at this time.

Front Legs

- 4.6. Align the two holes at the top of one of the legs with the two holes located at the front of the mounting bracket.
- 4.7. Insert a bolt with a washer through each of the holes of the leg and then through the mounting bracket holes.
- 4.8. Place a washer and nut onto each of the bolts and hand tighten (fig.2).
- 4.9. Repeat steps 4.6. to 4.8. for the other remaining front leg.

Note: Do not fully tighten the nuts at this time.

Lower Shelf

- 4.10. Align the holes in the lower shelf with the holes in the legs.
- 4.11. Insert a bolt with a washer through each of the holes in the legs and through the corresponding holes in the lower shelf.
- 4.12. Place a washer and nut onto each of the bolts and hand tighten (fig.2).

Note: Do not fully tighten the nuts at this time.

- 4.13. Set the workbench upright onto its feet. Make sure it is completely stable and resting on all four legs on level ground, then fully tighten all nuts and bolts.

WARNING: Do not place any weight on the workbench until all the nuts and bolts have been fully tightened.

Drawer

- 4.14. Install the drawer by sliding it into place on the drawer runners (AP1015 and AP1020 have 2 choices of position).
- 4.15. Once drawer is in place on the drawer runners, align the holes of the retaining plate with the holes on the rear wall of the drawer.
- 4.16. Using the two self tapping screws, fasten the drawer retaining plate to the rear of the drawer.

5. PARTS

ALL MODELS

ITEM	PART NO.	DESCRIPTION
1	AP1010.V3-01	LOCK AND KEY ASSEMBLY
2	AP1010.V3-02	BOLT, NUT AND WASHER
3	AP1010.V3-03	SELF TAPPING SCREW
4	AP1010.V3-04	LEG
5	AP1010.V3-05	DRAWER WITH RAILS, HANDLE AND RETAINING PLATE
6	AP1010.V3-06	FIXING KIT, COMPLETE (ALL NUTS, BOLTS, WASHERS AND SCREWS)

NOTE: It is our policy to continually improve products and as such we reserve the right to alter data, specifications and component parts without prior notice.

IMPORTANT: No liability is accepted for incorrect use of this product.

WARRANTY: Guarantee is 12 months from purchase date, proof of which will be required for any claim.

INFORMATION: For a copy of our catalogue and latest promotions call us on 01284 757525 and leave your full name, address and postcode.

	Sole UK Distributor Sealey Group, Bury St. Edmunds, Suffolk.	01284 757500	www.sealey.co.uk sales@sealey.co.uk
		01284 703534	