

ENVIRONMENTALLY FRIENDLY, ENERGY EFFICIENT

- Lumen packages comparable to 26W, 32W, 42W, 2x26W, 2x32W, 2x42W CFL and 39W, 70W, 100W CMH with energy savings up to 40%
- Superior-quality white LED light output using Chip on Board technology
- No harmful ultraviolet or infrared wavelengths
- No lead or mercury

PRODUCT SPECIFICATIONS

Optics

Reflector: Unique hyperbolic shape optimized for small, directional LED source, maximizes fixture efficiency while creating the "Silent Ceiling" appearance by reducing lamp image and aperture brightness • Geometry of hyperbolic curve provides unique aperture appearance and smoother light distribution • Narrow flood, medium flood and wide flood distributions available

Finishes: Low iridescent specular, semi-specular and satin Alzak® finishes available with integral flange of same finish • See reflector options for other colors and finishes

Electrical

LED Light Engine: Compact light source delivers uniform illumination without pixilation, enabling excellent beam control • Consistent fixture-to-fixture color temperature within 3 SDCM • Replaceable PC board with quick connector mounts directly to heat sink • CRI > 80 standard, 90 & 97 CRI available, see options for compatibility • Light engine mounts directly to heat sink and is easily replaceable • Cast aluminum heat sink integrated directly with housing provides superior thermal management to ensure the long life of LED

LED Driver: Power factor >0.9 • Easily replaceable from above or below the ceiling • Dimmable via 0-10V protocol, increasing efficiency up to 30% while dimming • For a list of compatible dimmers, see [LED-DIM](#).

Life: Rated for 50,000 hours at 70% lumen maintenance • Available with optional Lumen Depreciation Indicator (LDI)

Emergency Battery Pack (Optional) output: Provides a minimum of 600 (BR), or 1100 (HBR) lumens for a minimum duration of 90 minutes

Mechanical

Housing: Low profile, universal housing design installs in suspended grid, plaster or drywall • Integral cast aluminum heat sink conducts heat away from LED light engine • Driver is accessible from above and below ceiling and can be upgraded to accommodate future technology improvements.

Mounting Frame: Heavy gauge steel lower housing ring accommodates ceilings up to 2" thick • For thicker ceilings; consult factory

Mounting Bracket: Mounting brackets have 3" vertical adjustment and accepts most commercial bar hangers, including our proprietary Tru-Lock bar hangers • Our one-piece Tru-Lock bar hangers have integral T-bar locking screws and alignment notches for locating and locking fixture in the center or 1/4" tile increments

Junction Box: Over size 4" x 6" galvanized steel junction box with (6) 1/2" (2) 3/4" knockouts facilitate quick wiring • Junction box rated for four (4) No. 12 AWG 90° C branch circuit conductors (2-in, 2-out)

Labels and Listings

- UL and cUL listed for feed through and damp locations • RoHS compliant • UL spacing requirement for 4000 lumen: minimum of 4' between fixture centers, 3" overhead clearance, 2' from fixture center to side wall
- EMI complies with FCC 47, Part 15, Class A • ENERGY STAR® Qualified, see back page for designated products • I.B.E.W. Union made • ARRA Compliant

Warranty: 5 years when used in accordance with manufacturing guidelines. Product specifications subject to change without notice.

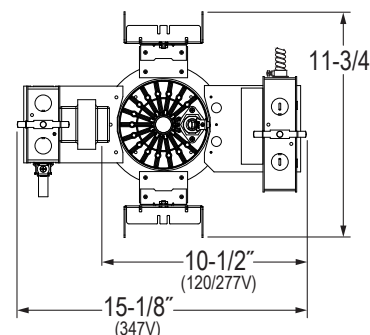
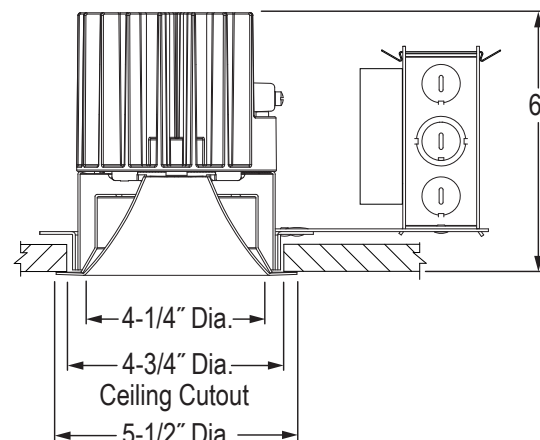


800 TO 4000 LUMEN 4" LED SILENT CEILING DOWNLIGHT HYPERBOLIC OPEN APERTURE L4 SERIES

Type	Cat. No.
_____	_____
Project: _____	
Notes: _____	

BEAM SPREAD	
TRIM	DEGREE
L400HN-CL	18°
L400HN-CQ	18°
L400HN-CS	30°
L400H-CL	37°
L400H-CQ	37°
L400H-CS	45°
L400HW-CL	55°
L400HW-CQ	55°
L400HW-CS	65°

DIMENSIONS



ORDERING INFORMATION: Rough-in, reflector and accessories each ordered separately.

Example: **L4-40352-G3-LDI**

ROUGH-IN	LIGHT ENGINE LUMENS	CCT	VOLTAGE	GENERATION	OPTIONS
L4				G3	
08	800 lm	27	■ U	G3	90 90 CRI
13	1300 lm	2700	Universal		97 97 CRI (2700 & 3000 CCT only)
15	1500 lm	30	1		F Fuse and Fuse Holder
17	1700 lm	3000	120V		CP Chicago Plenum
23	2300 lm	35	2		+ BR Emergency Battery Pack w/ Remote Test Switch
28	2800 lm	3500	277V		+ HBR High Lumen Emergency Battery Pack w/ Remote Test Switch
33	3300 lm	40	3		◆ PD Driver compatible with 3-wire fluorescent controls & Lutron Programmable Dimming EcoSystem®
40	4000 lm	4000	347V		◆ FDL Forward Phase Dimming Lutron Driver - 120V only (2-wire dimming, neutral wire required)
					LDI Lumen Depreciation Indicator (Cannot be used w/ BR or HBR options)
					FD Phase Cut Dimming, Forward and Reverse, (800-4000 lumen only) - 120V only
					DMX DMX/RDM Driver
					DALI DALI Dimming Driver

- Only 800, 1300 & 1500 lumen fixtures are universal voltage (120/277V)
- ◆ Not Available for 4000 Lumens
- + Not Available for 347V or CP

Example: **L400HW-PTS-WH**

CONE	COLOR	FINISH	OPTIONS
L400HN Narrow Flood	C Clear	L Specular	WH White Flange
L400H Medium Flood	G Gold	S Satin	
L400HW Wide Flood	WT Wheat	*Q Semi-Specular (*Clear only)	
	PT Pewter	Blank for White & Baffle	
	BZ Bronze		
	B Black		
	W White		

Example: **HB-TL**

ACCESSORIES
HB-TL 25" Tru-Lock grid ceiling bar hangers, Pair
HB-52 52" C-Channel Bar Hangers, Pair
HB-28 28" C-Channel Bar Hangers, Pair
LB-27 27" Linear Bar Hangers, Pair
SCA4 -* Sloped Ceiling adapter
* Angle must be specified when ordering; Available in 5°, 10°, 15°, 20°, 25°, 30°
Example: SCA4-20



1300 South Wolf Rd • Des Plaines, Illinois 60018
PHONE 800-367-5866 • FAX 888-708-6578
www.junolightinggroup.com






800 TO 4000 LUMEN 4" LED SILENT CEILING DOWNLIGHT HYPERBOLIC OPEN APERTURE L4 SERIES

ENGINEERING DATA: 347 Volt available, consult factory

VOLTAGE	120								277							
LIGHT ENGINE LUMENS	800	1300	1500	1700	2300	2800	3300	4000	800	1300	1500	1700	2300	2800	3300	4000
CCT	2700K/3000K/3500K/4000K								2700K/3000K/3500K/4000K							
INPUT CURRENT	0.064	0.102	0.12	0.134	0.184	0.233	0.273	0.356	0.032	0.05	0.058	0.064	0.087	0.105	0.127	0.16
INPUT WATTAGE	7.7W	12.2W	14.4W	16.1W	22.1W	27.8W	32.6W	43.0W	8.2W	12.5W	14.6W	16.3W	22.3W	27.5W	33.0W	42.3W
INPUT FREQUENCY	50/60Hz	50/60Hz	50/60Hz	50/60Hz	50/60Hz	50/60Hz	50/60Hz	50/60Hz	50/60Hz	50/60Hz	50/60Hz	50/60Hz	50/60Hz	50/60Hz	50/60Hz	50/60Hz
THD%	6.67	4.30	4.01	3.68	5.59	5.70	4.16	3.93	11.15	10.45	10.99	11.11	10.06	8.38	8.48	7.98
POWER FACTOR	0.991	0.993	0.993	0.995	0.994	0.995	0.997	0.998	0.915	0.889	0.903	0.911	0.921	0.942	0.935	0.955

DELIVERED LUMENS/LUMENS PER WATT (35K 80CRI)																
TRIM	L4-0835U		L4-1335U		L4-1535U		L4-17351		L4-23351		L4-28351		L4-33351		L4-40351	
	Lumens	LPW	Lumens	LPW	Lumens	LPW	Lumens	LPW	Lumens	LPW	Lumens	LPW	Lumens	LPW	Lumens	LPW
L400HN-CL	795	106.0	1305	104.4	1508	104.0	1691	91.9	2235	92.7	2689	90.2	3090	89.3	3750	83.5
L400HN-CQ	791	105.5	1298	103.9	1500	103.4	1683	91.5	2224	92.3	2675	89.8	3074	88.9	3731	83.1
L400HN-CS	731	97.5	1201	96.0	1387	95.6	1556	84.6	2056	85.3	2474	83.0	2843	82.2	3450	76.8
L400H-CL	834	111.1	1368	109.5	1581	109.0	1773	96.4	2343	97.2	2819	94.6	3240	93.6	3932	87.6
L400H-CQ	823	109.7	1351	108.1	1561	107.6	1751	95.2	2314	96.0	2783	93.4	3199	92.4	3882	86.5
L400H-CS	771	102.7	1265	101.2	1461	100.8	1639	89.1	2166	89.9	2606	87.5	2995	86.6	3635	81.0
L400HW-CL	845	112.7	1388	111.0	1603	110.6	1799	97.7	2377	98.6	2859	96.0	3286	95.0	3988	88.8
L400HW-CQ	815	108.7	1338	107.0	1545	106.6	1734	94.2	2291	95.1	2756	92.5	3167	91.5	3844	85.6
L400HW-CS	760	101.3	1247	99.8	1441	99.4	1616	87.8	2136	88.6	2570	86.2	2953	85.4	3584	79.8

ENERGY STAR® Qualified

	PRODUCT#	FIXTURE CONFIGURATIONS = ENERGY STAR
	Universal Voltage (120V-277V), 80 CRI L4-(XX)(YY)U-G3 [▲]	Lumen Package: XX = 08*, 13*, 15 CCT: YY = 27, 30, 35, 40 Voltage: Universal Voltage (120V-277V) CRI: 80 Reflector Color: CC = B, BZ, C, G, PT, W, WT Reflector Finish: F = L, S, Q
	120V/277V, 80 CRI L4-(XX)(YY)(Z)-G3 [▲]	Lumen Package: XX = 17, 23, 28, 33, 40, 45, 50, 55, 60, 65, 70, 75, 80, 85, 90 CCT: YY = 27, 30, 35, 40 Voltage: Z = 1, 2 CRI: 80 Reflector Color: CC = B, BZ, C, G, PT, W, WT Reflector Finish: F = L, S, Q
	347V, 80 CRI L4-(XX)(YY)3-G3 [▲]	Lumen Package: XX = 17, 23, 28, 33, 40 CCT: YY = 27, 30, 35, 40 Voltage: 347V CRI: 80 Reflector Color: CC = C Reflector Finish: F = L, S, Q
	120V/277V, 90 CRI L4-(XX)(YY)(Z)-G3-(AA) [▲]	Lumen Package: XX = 17, 23, 28, 33, 40 CCT: YY = 27, 30, 35, 40 Voltage: Z = 1, 2 CRI: AA = 90 Reflector Color: CC = C Reflector Finish: F = L, S, Q
	120V/277V, 97 CRI L4-(XX)(YY)(Z)-G3-(AA) [▲]	Lumen Package: XX = 17, 23, 28, 33, 40 CCT: YY = 27, 30 Voltage: Z = 1, 2 CRI: AA = 97 Reflector Color: CC = C Reflector Finish: F = L, S, Q

▲ PD and FDL options are not ENERGY STAR® Certified.

* Indicated lumen packages are not ENERGY STAR® Certified with -DMX or -DALI options when used with 277 volts.



Catalog Number: L4-1335-G3; L400HN-CL
PHOTOMETRIC REPORT
 Test Number: PR0515171
 Total Lumen Output: 1305
 Center Beam Candpower: 5998
 Luminaire Efficacy: 104.4 lm/w (35K)
 Luminaire Spacing Criteria: 0.34
 Luminaire: Clear Specular Alzak®
 Narrow Flood Hyperbolic Reflector.
 CIE-Type: Direct



INITIAL FOOTCANDLES

Distance to Illuminated Plane (Feet)	Footcandles Beam Center	Footcandles Beam Edge	Beam Diameter
6"	166.6	80.5	1.8'
8"	122.4	59.2	2.1'
9"	93.7	45.3	2.4'
10"	74.0	35.8	2.7'
11"	60.0	29.0	3.0'
12"	49.6	24.0	3.3'
13"	41.6	20.1	3.6'
14"	35.5	17.2	3.9'
15"	30.6	14.8	4.2'
15"	26.7	12.9	4.5'

AVERAGE INITIAL FOOTCANDLES

Reflectances: 80% Ceiling, 50% Walls, 30% Floors

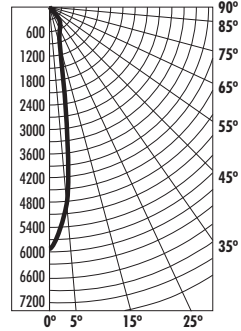
Luminaire Spacing	Room Cavity Ratio		
	RCR1	RCR4	RCR8
5' x 5'	58	50	42
6' x 6'	41	34	29
7' x 7'	30	25	21
8' x 8'	23	19	16
9' x 9'	18	15	13
10' x 10'	15	12	10
11' x 11'	12	10	9
12' x 12'	10	9	7

LUMINANCE DATA

Angle in Degrees	Candela/M ²
45°	6513
55°	0
65°	0
75°	0
85°	0

CANDLEPOWER DISTRIBUTION (Candelas)

Angle	Candela	Lumens
0°	5998	
5°	4854	463
15°	990	281
25°	536	248
35°	442	278
45°	42	33
55°	0	0
65°	0	0
75°	0	0
85°	0	0



ZONAL LUMEN SUMMARY

Zone	Lumens%	%Fixtures
0-30°	992	76.2
0-40°	1270	97.5
0-60°	1302	100.0
0-90°	1302	100.0
90-180°	0	0
0-180°	1302	100.0

COEFFICIENTS OF UTILIZATION - % (Zonal Cavity Method)

Effective Floor Reflectance 20%

PCC	80			70			50			30			10			0		
	PW	70	50	30	10	70	50	30	10	50	30	10	50	30	10			
0	118	118	118	118	115	115	115	115	110	110	110	105	105	105	101	101	101	99
1	113	110	108	106	110	108	106	105	104	103	101	101	100	98	97	96	96	94
2	108	104	100	98	106	102	99	96	99	97	94	96	94	92	94	92	90	89
3	104	98	94	90	102	97	93	90	94	91	88	92	89	87	90	88	86	84
4	99	93	88	85	98	92	88	84	90	86	83	88	85	82	86	83	81	80
5	95	88	83	80	94	87	83	79	86	82	79	84	81	78	83	80	77	76
6	92	84	79	75	90	83	79	75	82	78	75	81	77	74	79	76	74	72
7	88	80	75	72	87	80	75	71	78	74	71	77	74	71	76	73	70	69
8	85	77	72	68	84	76	71	68	75	71	68	74	70	68	73	70	67	66
9	82	74	69	65	81	73	68	65	72	68	65	71	68	65	71	67	65	63
10	79	71	66	63	78	70	66	63	70	65	62	69	65	62	68	65	62	61

CCT MULTIPLIER

(3300-4000 Lumens)
 27K = 0.92 35K = 1.00
 3K = 0.97 4K = 1.01

Catalog Number: L4-1335-G3; L400H-CL
PHOTOMETRIC REPORT
 Test Number: PR03151775
 Total Lumen Output: 1368
 Center Beam Candpower: 2442
 Luminaire Efficacy: 109.4 lm/w (35K)
 Luminaire Spacing Criteria: 0.64
 Luminaire: Clear Specular Alzak®
 Medium Flood Hyperbolic Reflector.
 CIE-Type: Direct



INITIAL FOOTCANDLES

Distance to Illuminated Plane (Feet)	Footcandles Beam Center	Footcandles Beam Edge	Beam Diameter
6"	67.8	28.9	4.0'
8"	49.8	21.3	4.7'
9"	38.2	16.3	5.3'
10"	30.2	12.9	6.0'
11"	24.4	10.4	6.7'
12"	20.2	8.6	7.4'
13"	17.0	7.2	8.0'
14"	14.5	6.2	8.7'
15"	12.5	5.3	9.4'
15"	10.9	4.6	10.0'

AVERAGE INITIAL FOOTCANDLES

Reflectances: 80% Ceiling, 50% Walls, 30% Floors

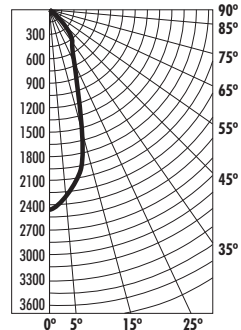
Luminaire Spacing	Room Cavity Ratio		
	RCR1	RCR4	RCR8
5' x 5'	61	50	40
6' x 6'	42	35	28
7' x 7'	31	26	21
8' x 8'	24	20	16
9' x 9'	19	16	12
10' x 10'	15	13	10
11' x 11'	13	10	8
12' x 12'	11	9	7

LUMINANCE DATA

Angle in Degrees	Candela/M ²
45°	5513
55°	0
65°	0
75°	0
85°	0

CANDLEPOWER DISTRIBUTION (Candelas)

Angle	Candela	Lumens
0°	2442	
5°	2325	222
15°	1610	456
25°	777	360
35°	479	301
45°	36	28
55°	0	0
65°	0	0
75°	0	0
85°	0	0



ZONAL LUMEN SUMMARY

Zone	Lumens%	%Fixtures
0-30°	1038	76.0
0-40°	1339	98.0
0-60°	1367	100.0
0-90°	1367	100.0
90-180°	0	0
0-180°	1367	100.0

COEFFICIENTS OF UTILIZATION - % (Zonal Cavity Method)

Effective Floor Reflectance 20%

PCC	80			70			50			30			10			0		
	PW	70	50	30	10	70	50	30	10	50	30	10	50	30	10			
0	119	119	119	119	116	116	116	116	111	111	111	106	106	106	102	102	102	100
1	114	111	109	107	112	109	107	105	105	104	102	102	100	99	98	97	96	94
2	109	104	101	97	107	103	99	96	99	97	94	96	94	92	94	92	90	89
3	104	98	93	90	102	97	92	89	94	90	87	92	89	86	89	87	85	83
4	99	92	87	83	97	91	86	83	89	85	82	87	83	81	85	82	80	78
5	95	87	81	77	93	86	81	77	84	80	76	82	79	76	81	78	75	74
6	90	82	76	72	89	81	76	72	80	75	72	78	74	71	77	74	71	69
7	86	78	72	68	85	77	72	68	76	71	68	75	70	67	73	70	67	66
8	82	74	68	64	81	73	68	64	72	67	64	71	67	64	70	66	63	62
9	79	70	64	61	78	69	64	61	69	64	60	68	63	60	67	63	60	59
10	76	67	61	58	75	66	61	58	65	61	57	65	60	57	64	60	57	56

CCT MULTIPLIER

(3300-4000 Lumens)
 27K = 0.92 35K = 1.00
 3K = 0.97 4K = 1.01

Catalog Number: L4-1335-G3; L400HW-CL
PHOTOMETRIC REPORT
 Test Number: PR03151871
 Total Lumen Output: 1388
 Center Beam Candpower: 1735
 Luminaire Efficacy: 111.0 lm/w (35K)
 Luminaire Spacing Criteria: 0.8
 Luminaire: Clear Specular Alzak®
 Wide Flood Hyperbolic Reflector.
 CIE-Type: Direct



INITIAL FOOTCANDLES

Distance to Illuminated Plane (Feet)	Footcandles Beam Center	Footcandles Beam Edge	Beam Diameter
6"	48.2	16.5	6.4'
8"	35.4	12.1	7.5'
9"	27.1	9.3	8.6'
10"	21.4	7.3	9.6'
11"	17.4	6.0	10.7'
12"	14.3	4.9	11.8'
13"	12.1	4.1	12.8'
14"	10.3	3.5	13.9'
15"	8.9	3.0	15.0'
15"	7.7	2.6	16.0'

AVERAGE INITIAL FOOTCANDLES

Reflectances: 80% Ceiling, 50% Walls, 30% Floors

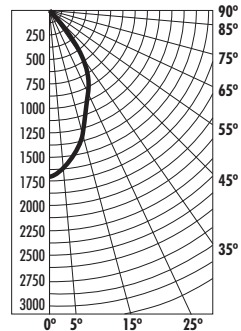
Luminaire Spacing	Room Cavity Ratio		
	RCR1	RCR4	RCR8
5' x 5'	62	50	39
6' x 6'	43	35	27
7' x 7'	31	25	20
8' x 8'	24	20	15
9' x 9'	19	15	12
10' x 10'	15	12	10
11' x 11'	13	10	8
12' x 12'	11	9	7

LUMINANCE DATA

Angle in Degrees	Candela/M ²
45°	6047
55°	0
65°	0
75°	0
85°	0

CANDLEPOWER DISTRIBUTION (Candelas)

Angle	Candela	Lumens
0°	1735	
5°	1674	160
15°	1304	453
25°	978	370
35°	595	374
45°	39	30
55°	0	0
65°	0	0
75°	0	0
85°	0	0



ZONAL LUMEN SUMMARY

Zone	Lumens%	%Fixtures
0-30°	982	70.8
0-40°	1356	97.8
0-60°	1386	100.0
0-90°	1386	100.0
90-180°	0	0
0-180°	1386	100.0

COEFFICIENTS OF UTILIZATION - % (Zonal Cavity Method)

Effective Floor Reflectance 20%

PCC	80			70			50			30			10			0		
	PW	70	50	30	10	70	50	30	10	50	30	10	50	30	10			
0	120	120	120	120	117	117	117	117	112	112	112	107	107	107	103	103	103	101
1	114	112	109	107	112	110	107	105	105	104	102	102	100	99	98	97	96	94
2	109	104	100	97	107	102	99	96	99	96	93	96	94	91	93	91	90	88
3	103	97	92	88	101	96	91	87	93	89	86	91	87	85	88	86	83	82
4	98	91	85	81	96	90	84	80	87	83	80	85	82	79	84	80	78	76
5	93	85	79	75	92	84	79	74	82	77	74	80	76	73	79	75	72	71
6	89	80	74	69	87	79	73	69	77	72	69	76	72	68	75	71	68	66
7	84	75	69	65	83	74	68	64	73	68	64	72	67	64	71	66	63	62
8	80	70	64	60	79													

Catalog Number: L4-4035-G3; L400HN-CL
PHOTOMETRIC REPORT
 Test Number: PR05151191
 Total Lumen Output: 3750
 Center Beam Candpower: 17,235
 Luminaire Efficacy: 83.5 lm/w (35K)
 Luminaire Spacing Criteria: 0.34
 Luminaire: Clear Specular Alzak®
 Narrow Flood Hyperbolic Reflector.
 CIE-Type: Direct



INITIAL FOOTCANDLES

Distance to Illuminated Plane (Feet)	Footcandles Beam Center	Footcandles Beam Edge	Beam Diameter
4'	478.7	231.4	1.8'
5'	351.7	170.0	2.1'
6'	269.3	130.2	2.4'
7'	212.8	102.9	2.7'
8'	172.3	83.3	3.0'
9'	142.4	68.9	3.3'
10'	119.7	57.9	3.6'
11'	102.0	49.3	3.9'
12'	87.9	42.5	4.2'
13'	76.6	37.0	4.5'

AVERAGE INITIAL FOOTCANDLES

Reflectances: 80% Ceiling, 50% Walls, 30% Floors

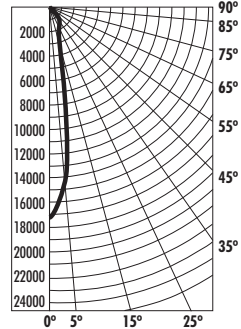
Luminaire Spacing	Room Cavity Ratio		
	RCR1	RCR4	RCR8
5' x 5'	167	140	116
6' x 6'	116	97	80
7' x 7'	85	71	59
8' x 8'	65	54	45
9' x 9'	51	43	36
10' x 10'	42	35	29
11' x 11'	34	29	24
12' x 12'	29	24	20

LUMINANCE DATA

Angle in Degrees	Candela/M ²
45°	18717
55°	0
65°	882
75°	1159
85°	0

CANDLEPOWER DISTRIBUTION (Candelas)

Angle	Candela	Lumens
0°	17235	
5°	13948	1331
15°	2844	806
25°	1539	712
35°	1271	798
45°	121	94
55°	0	0
65°	0	0
75°	0	0
85°	0	0



ZONAL LUMEN SUMMARY

Zone	Lumens%	%Fixtures
0-30°	2850	76.0
0-40°	3648	97.3
0-60°	3742	99.8
0-90°	3749	100.0
90-180°	0	0
0-180°	3749	100.0

COEFFICIENTS OF UTILIZATION - % (Zonal Cavity Method)

Effective Floor Reflectance 20%

PCC	80			70			50			30			10			0		
	PW	70	50	30	10	70	50	30	10	50	30	10	50	30	10			
0	118	118	118	118	115	115	115	115	110	110	110	105	105	105	101	101	101	99
1	113	111	108	106	111	108	106	105	104	103	102	101	100	99	97	97	96	94
2	108	104	101	98	106	102	99	97	99	97	94	96	94	92	94	92	91	89
3	104	98	94	91	102	97	93	90	94	91	88	92	89	87	90	88	86	84
4	99	93	88	85	98	92	88	84	90	86	83	88	85	82	86	84	81	80
5	95	88	83	80	94	87	83	79	86	82	79	84	81	78	83	80	77	76
6	92	84	79	75	90	83	79	75	82	78	75	81	77	74	79	76	74	72
7	88	80	75	72	87	80	75	71	78	74	71	77	74	71	76	73	70	69
8	85	77	72	68	84	76	71	68	75	71	68	74	70	68	73	70	67	66
9	82	74	69	65	81	73	68	65	72	68	65	72	68	65	71	67	65	63
10	79	71	66	63	78	70	66	63	70	65	62	69	65	62	68	65	62	61

CCT MULTIPLIER

(3300-4000 Lumens)
 27K = 0.92 35K = 1.00
 3K = 0.97 4K = 1.01

Catalog Number: L4-4035-G3; L400H-CL
PHOTOMETRIC REPORT
 Test Number: PR03151795
 Total Lumen Output: 3932
 Center Beam Candpower: 7018
 Luminaire Efficacy: 87.6 lm/w (35K)
 Luminaire Spacing Criteria: 0.64
 Luminaire: Clear Specular Alzak®
 Medium Flood Hyperbolic Reflector.
 CIE-Type: Direct



INITIAL FOOTCANDLES

Distance to Illuminated Plane (Feet)	Footcandles Beam Center	Footcandles Beam Edge	Beam Diameter
4'	195.0	83.2	4.0'
5'	143.2	61.1	4.7'
6'	109.7	46.8	5.3'
7'	86.6	37.0	6.0'
8'	70.2	29.9	6.7'
9'	58.0	24.7	7.4'
10'	48.7	20.8	8.0'
11'	41.5	17.7	8.7'
12'	35.8	15.3	9.4'
13'	31.2	13.3	10.0'

AVERAGE INITIAL FOOTCANDLES

Reflectances: 80% Ceiling, 50% Walls, 30% Floors

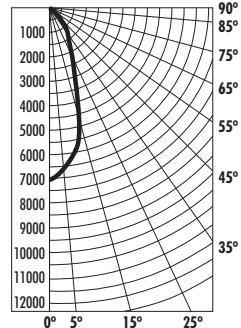
Luminaire Spacing	Room Cavity Ratio		
	RCR1	RCR4	RCR8
5' x 5'	175	146	116
6' x 6'	121	102	81
7' x 7'	89	75	59
8' x 8'	68	57	45
9' x 9'	54	45	36
10' x 10'	44	37	29
11' x 11'	36	30	24
12' x 12'	30	25	20

LUMINANCE DATA

Angle in Degrees	Candela/M ²
45°	15843
55°	656
65°	0
75°	0
85°	0

CANDLEPOWER DISTRIBUTION (Candelas)

Angle	Candela	Lumens
0°	7018	
5°	6681	638
15°	4627	1312
25°	2234	1034
35°	1377	865
45°	103	79
55°	3	3
65°	0	0
75°	0	0
85°	0	0



ZONAL LUMEN SUMMARY

Zone	Lumens%	%Fixtures
0-30°	2983	75.9
0-40°	3848	97.9
0-60°	3931	100.0
0-90°	3931	100.0
90-180°	0	0
0-180°	3931	100.0

COEFFICIENTS OF UTILIZATION - % (Zonal Cavity Method)

Effective Floor Reflectance 20%

PCC	80			70			50			30			10			0		
	PW	70	50	30	10	70	50	30	10	50	30	10	50	30	10			
0	119	119	119	119	116	116	116	116	111	111	111	107	107	107	102	102	102	100
1	114	111	109	107	112	109	107	105	105	104	102	102	100	99	98	97	96	94
2	109	104	101	97	107	103	99	96	99	97	94	96	94	92	94	92	90	89
3	104	98	94	90	102	97	92	89	94	90	87	92	89	86	89	87	85	83
4	99	92	87	83	97	91	86	83	89	85	82	87	83	81	85	82	80	78
5	95	87	81	77	93	86	81	77	84	80	76	83	79	76	81	78	75	74
6	90	82	76	72	89	81	76	72	80	75	72	78	74	71	77	74	71	69
7	86	78	72	68	85	77	72	68	76	71	68	75	70	67	73	70	67	66
8	82	74	68	64	81	73	68	64	72	67	64	71	67	64	70	66	63	62
9	79	70	64	61	78	69	64	61	69	64	60	68	63	60	67	63	60	59
10	76	67	61	58	75	66	61	58	65	61	57	65	60	57	64	60	57	56

CCT MULTIPLIER

(3300-4000 Lumens)
 27K = 0.92 35K = 1.00
 3K = 0.97 4K = 1.01

Catalog Number: L4-4035-G3; L400HW-CL
PHOTOMETRIC REPORT
 Test Number: PR03151891
 Total Lumen Output: 3988
 Center Beam Candpower: 4987
 Luminaire Efficacy: 88.8 lm/w (35K)
 Luminaire Spacing Criteria: 0.8
 Luminaire: Clear Specular Alzak®
 Wide Flood Hyperbolic Reflector.
 CIE-Type: Direct



INITIAL FOOTCANDLES

Distance to Illuminated Plane (Feet)	Footcandles Beam Center	Footcandles Beam Edge	Beam Diameter
4'	138.5	47.5	6.4'
5'	101.8	34.9	7.5'
6'	77.9	26.7	8.6'
7'	61.6	21.1	9.6'
8'	49.9	17.1	10.7'
9'	41.2	14.1	11.8'
10'	34.6	11.9	12.8'
11'	29.5	10.1	13.9'
12'	25.4	8.7	15.0'
13'	22.2	7.6	16.0'

AVERAGE INITIAL FOOTCANDLES

Reflectances: 80% Ceiling, 50% Walls, 30% Floors

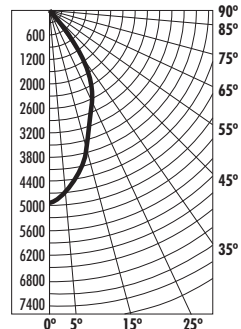
Luminaire Spacing	Room Cavity Ratio		
	RCR1	RCR4	RCR8
5' x 5'	177	145	113
6' x 6'	123	101	79
7' x 7'	90	74	58
8' x 8'	69	57	44
9' x 9'	55	45	35
10' x 10'	44	36	28
11' x 11'	37	30	23
12' x 12'	31	25	20

LUMINANCE DATA

Angle in Degrees	Candela/M ²
45°	17376
55°	0
65°	0
75°	1227
85°	0

CANDLEPOWER DISTRIBUTION (Candelas)

Angle	Candela	Lumens
0°	4987	
5°	4810	459
15°	3748	1062
25°	2811	1301
35°	1710	1074
45°	112	87
55°	0	0
65°	0	0
75°	0	0
85°	0	0



ZONAL LUMEN SUMMARY

Zone	Lumens%	%Fixtures
0-30°	2823	70.8
0-40°	3897	97.7
0-60°	3984	99.9
0-90°	3987	100.0
90-180°	0	0
0-180°	3987	100.0

COEFFICIENTS OF UTILIZATION - % (Zonal Cavity Method)

Effective Floor Reflectance 20%

PCC	80			70			50			30			10			0		
	PW	70	50	30	10	70	50	30	10	50	30	10	50	30	10			
0	120	120	120	120	117	117	117	117	112	112	112	107	107	107	103	103	103	101
1	115	112	109	107	112	110	107	105	106	104	102	102	100	99	98	97	96	94
2	109	104	100	97	107	102	99	96	99	96	94	96	94	92	93	91	90	88
3	104	97	92	88	102	96	91	88	93	89	86	91	87	85	88	86	83	82
4	98	91	85	81	97	90	85	81	87	83	80	85	82	79	84	80	78	76
5	93	85	79	75	92	84	79	74	82	77	74	81	76	73	79	75	73	71
6	89	80	74	69	87	79	73	69	77	72	69	76	72	68	75	71	68	66
7	84	75	69	65	83	74	69	64	73	68	64	72	67	64				