

REVISED STARTING
SERIAL # 121010018

PARTS LIST MANUAL

MODEL GMS20



20" GASOLINE POWERED MASONRY SAWS

SKU #	MODEL #	POWER OPTION
22500	GMS20-9H	HONDA GASOLINE ENGINE MODEL GX270
21100	GMS20-11H	HONDA GASOLINE ENGINE MODEL GX340
27700	GMS20-13H	HONDA GASOLINE ENGINE MODEL GX390
27700ES	GMS20-13H/12V	HONDA GASOLINE ENGINE MODEL GX390 WITH 12V STARTER



A Division of Equipment Development Company, Inc.

100 Thomas Johnson Drive, Frederick, MD 21702-4600 USA

Phone (301) 663-1600 • 1-800-638-3326

Fax (301) 663-1607 • 1-800-447-3326

Website: www.edcoinc.com

Email: sales@edcoinc.com

Printed in USA

JWA ©2012

READ AND UNDERSTAND THE OPERATORS INSTRUCTION MANUAL *THOROUGHLY* BEFORE ATTEMPTING TO OPERATE THIS EQUIPMENT.



Death or serious injury could occur if this machine is used improperly.



SAFETY MESSAGES

- Safety Instructions are preceded by a graphic alert symbol of DANGER, WARNING, or CAUTION.



Indicates an imminent hazard which, if not avoided, will result in death or serious injury.



Indicates an imminent hazard which, if not avoided, can result in death or serious injury.



Indicates hazards which, if not avoided, could result in serious injury and or damage to the equipment.

GASOLINE/PROPANE POWERED EQUIPMENT



• Engine exhaust from this product contains chemicals known to the State of California to cause cancer, birth defects or other reproductive harm.



Gasoline is extremely flammable and poisonous. It should only be dispensed in well ventilated areas, and with a cool engine.

- Small gasoline engines produce high concentrations of carbon monoxide (CO) example: a 5 HP 4 cycle engine operation in an enclosed 100,000 cu. ft. area with only one change of air per hour is capable of providing deadly concentrations of CO in less than fifteen minutes. Five changes of air in the same area will produce noxious fumes in less than 30 minutes. Gasoline or propane powered equipment should not be used in enclosed or partially enclosed areas. Symptoms of CO poisoning include, headache, nausea, weakness, dizziness, visual problems and loss of consciousness. If symptoms occur - get into fresh air and seek medical attention immediately.

ELECTRICAL POWERED EQUIPMENT



Extreme care must be taken when operating electric models with water present: Ensure power cord is properly grounded, is attached to a Ground-Fault-Interrupter (GFI) outlet, and is undamaged.

- Check all electrical cables - be sure connections are tight and cable is continuous and in good condition. Be sure cable is correctly rated for both the operating current and voltage of this equipment.
- Improper connection of the equipment-grounding conductor can result in a risk of electric shock. Check with qualified electrician or service person if there is any doubt as to whether the outlet is properly grounded. Adhere to all local codes and ordinances.
- **NOTE:** In the event of a malfunction or breakdown, grounding provides a path of least resistance for the electric current to dissipate. The motor is equipped with a grounded plug and must be connected to an outlet that is properly installed and properly grounded. DO NOT modify the plug provided on the motor. If the plug does not fit the outlet have a qualified electrician install the proper receptacle.
- Switch motor OFF **before** disconnecting power.

- Do not disconnect power by pulling cord. To disconnect, grasp the plug, not the cord.
- Unplug power cord at the machine when not in use and before servicing.

GENERAL INSTRUCTIONS

- Equipment should only be operated by trained personnel in good physical condition and mental health (not fatigued). The operator and maintenance personnel must be physically able to handle the bulk weight and power of this equipment.
- This is a one person tool. Maintain a safe operating distance to other personnel. It is the **operators' responsibility** to keep other people (workers, pedestrians, bystanders, etc.) away during operation. Block off the work area in all directions with roping, safety netting, etc. for a safe distance. Failure to do so may result in others being injured by flying debris or exposing them to harmful dust and noise.
- This equipment is intended for commercial use only.
- For the operator's safety and the safety of others, always keep all guards in place during operation.
- Never let equipment run unattended.



- Personal Protection Equipment and proper safety attire must be worn when operating this machinery. The operator must wear approved safety equipment appropriate for the job such as hard hat and safety shoes when conditions require. Hearing protection **MUST** be used (operational noise levels of this equipment may exceed 90db). Eye protection **MUST** be worn at all times.



Keep body parts and loose clothing away from moving parts. Failure to do so could result in dismemberment or death.

- Do not modify the machine.
 - Stop motor/engine when adjusting or servicing this equipment.
- Maintain a safe operating distance from flammable materials. Sparks from the cutting-action of this machine can ignite flammable materials or vapors.



DUST WARNING



Some dust created by power sanding, sawing, grinding, drilling, and other construction activities contains chemicals known to cause cancer, birth defects, or other reproductive harm. Some examples of these chemicals are:

- Lead from lead-based paints, and
 - Crystalline silica from bricks and concrete and other masonry products.
- Your risk of exposure to these chemicals varies depending on how often you do this type of work. To reduce your risk: work in a well ventilated area, use a dust control system, such as an industrial-style vacuum, and wear approved personal safety equipment, such as a dust/particle respirator designed to filter out microscopic particles.

PARTS LIST MANUAL

MODEL GMS20

TABLE OF CONTENTS

<u>Section</u>	<u>Page Number</u>
Safety Messages and General Instructions	2
How To Order Replacement Parts	3
Illustration 1: Main Grouping	4, 5
Illustration 2: Foot Pedal & Linkage Grouping	6, 7
Illustration 3: Arbor Deck & Belt Drive Grouping	8, 9
Illustration 4: Arbor Assembly	10
Illustration 5: Rolling Table Assembly	11
Illustration 6: Blade Guard & Water Pump Grouping	12, 13
Illustration 7: Engine Grouping	14, 15
Illustration 8: Optional Clutch Kit	16
Illustration 9: Battery Grouping	17
Illustration 10: Water Pump Assembly	18
Page Left Blank Intentionally	19
Decal Sheet 1	20
Decal Sheet 2	21
Page Left Blank Intentionally	22
Notes	23
Limited Equipment Warranty of Sale - Terms & Conditions	24 (Back Page)

HOW TO ORDER REPLACEMENT PARTS

- To insure product safety and reliability, always use genuine EDCO replacement parts when making repairs to the equipment.
- When calling for parts, specify the MODEL and SERIAL number of the machine, which can be found on the NAME PLATE. Keep that information in the space provided. In addition to this information, give part number, description, and quantity as listed on the parts list to your parts representative.
- Please note: Due to improvements and changes in the equipment, the illustrations shown may be different than the actual machine.

FILL IN INFORMATION BELOW

Date of Purchase _____

Model # _____

Serial # _____

SKU # _____



A Division of Equipment Development Company, Inc.

100 Thomas Johnson Drive, Frederick, MD 21702-4600 USA

Phone (301) 663-1600 • 1-800-638-3326

Fax (301) 663-1607 • 1-800-447-3326

Website: www.edcoinc.com

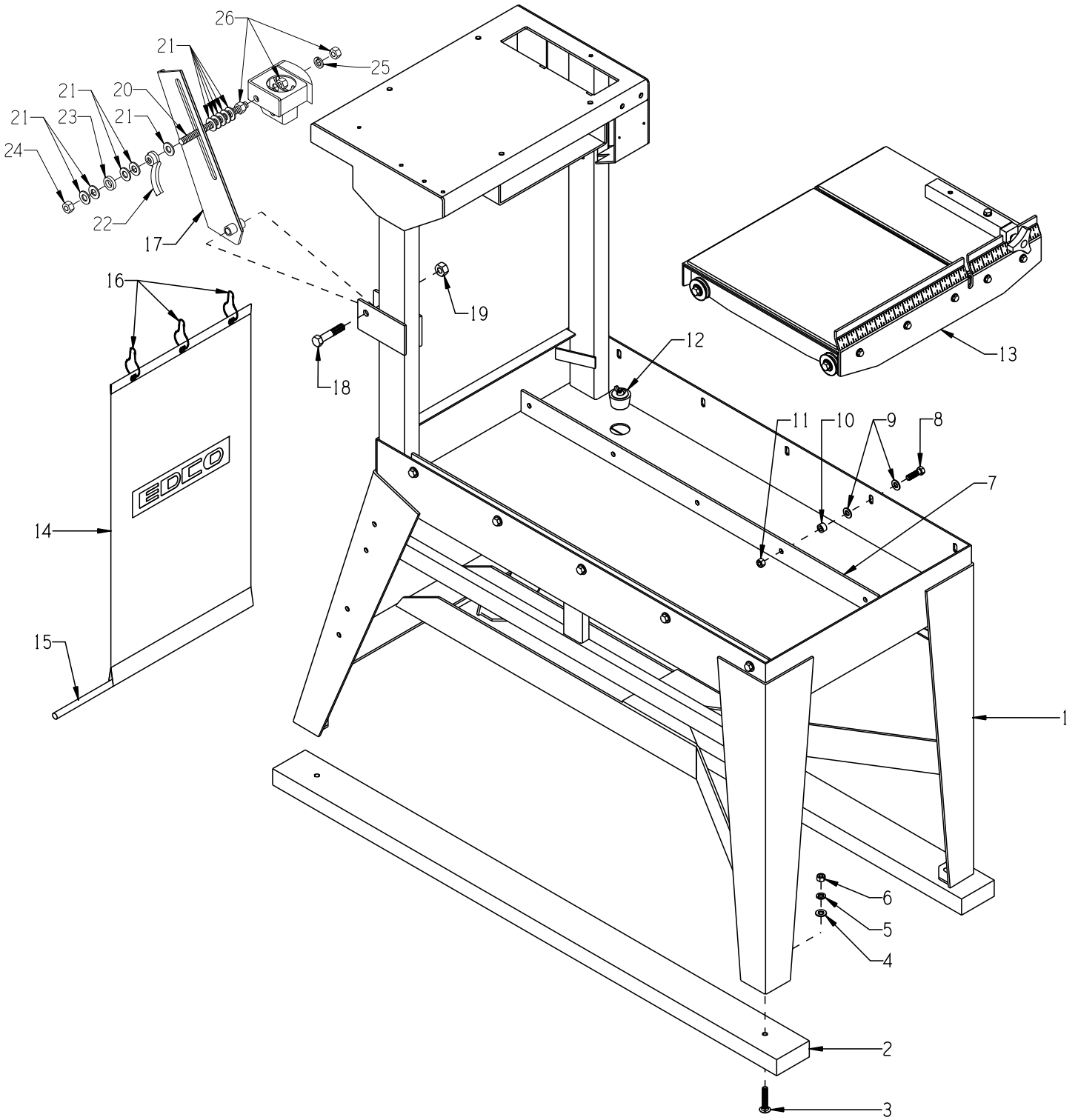
Email: sales@edcoinc.com

Printed in USA

JWA ©2012

Page 3

ILLUSTRATION 1: MAIN GROUPING



PARTS LISTING - ILLUSTRATION 1: MAIN GROUPING			
ITEM #	PART #	DESCRIPTION	QTY.
1	41001	STAND, PAN, & DECK WELDMENT, GMS-20	1
2	41002	SKID BOARD 2 X 4 X 54"L, GMS/MS-20	2
3	10364	BOLT, CARRIAGE 3/8-16 X 2 GRADE 5	4
4	10025	WASHER, FLAT 3/8 SAE ZINC	4
5	10811	WASHER, LOCK 3/8 ZINC	4
6	10404	NUT, HEX 3/8-16 ZINC	4
7	41003	RAIL, GUIDE, GMS/MS-20	2
8	10309	SCREW, CAP 3/8-24 X 1-1/4 ZINC	10
9	10025	WASHER, FLAT 3/8 SAE ZINC	20
10	10011	SPACER, STEEL 5/8OD X 3/8ID X 3/8T	10
11	10004	NUT, HEX LOCK 3/8-24 ZINC	10
12	40378	STOPPER ASSEMBLY 1-1/2"	1
13	41101	TABLE COMPLETE, ROLLING, MS/GMS-20 (REFER TO ILLUSTRATION 5 FOR BREAKDOWN)	1
14	40375	CURTAIN 15" X 28" W/ LOGO	1
15	40377	CURTAIN ROD 1/2"DIA. X 13"L	1
16	40376	HOOK, CURTAIN	3
17	41021	PLATE, PIVOT LOCK, GMS/MS-20	1
18	10343	SCREW, CAP 1/2-20 X 2-1/2	1
19	10205	NUT, HEX LOCK 1/2-20 ZINC	1
20	41108	ROD, ALLTHREAD 1/2-13 X 7"L	1
21	10312	WASHER, FLAT 1/2 SAE ZINC (QTY. & SPACING MAY VARY)	10
22	40358	NUT, TAIL HANDLE 1/2-13	1
23	79035	BUSHING, RUBBER 1-1/16 X 5/8 X 1/4	1
24	10155	NUT, HEX NYLON LOCK 1/2-13 ZINC	1
25	10045	WASHER, LOCK 1/2 ZINC	1
26	10417	NUT, HEX 1/2-13 ZINC	1



A Division of Equipment Development Company, Inc.

100 Thomas Johnson Drive, Frederick, MD 21702-4600 USA

Phone (301) 663-1600 • 1-800-638-3326

Fax (301) 663-1607 • 1-800-447-3326

Website: www.edcoinc.com

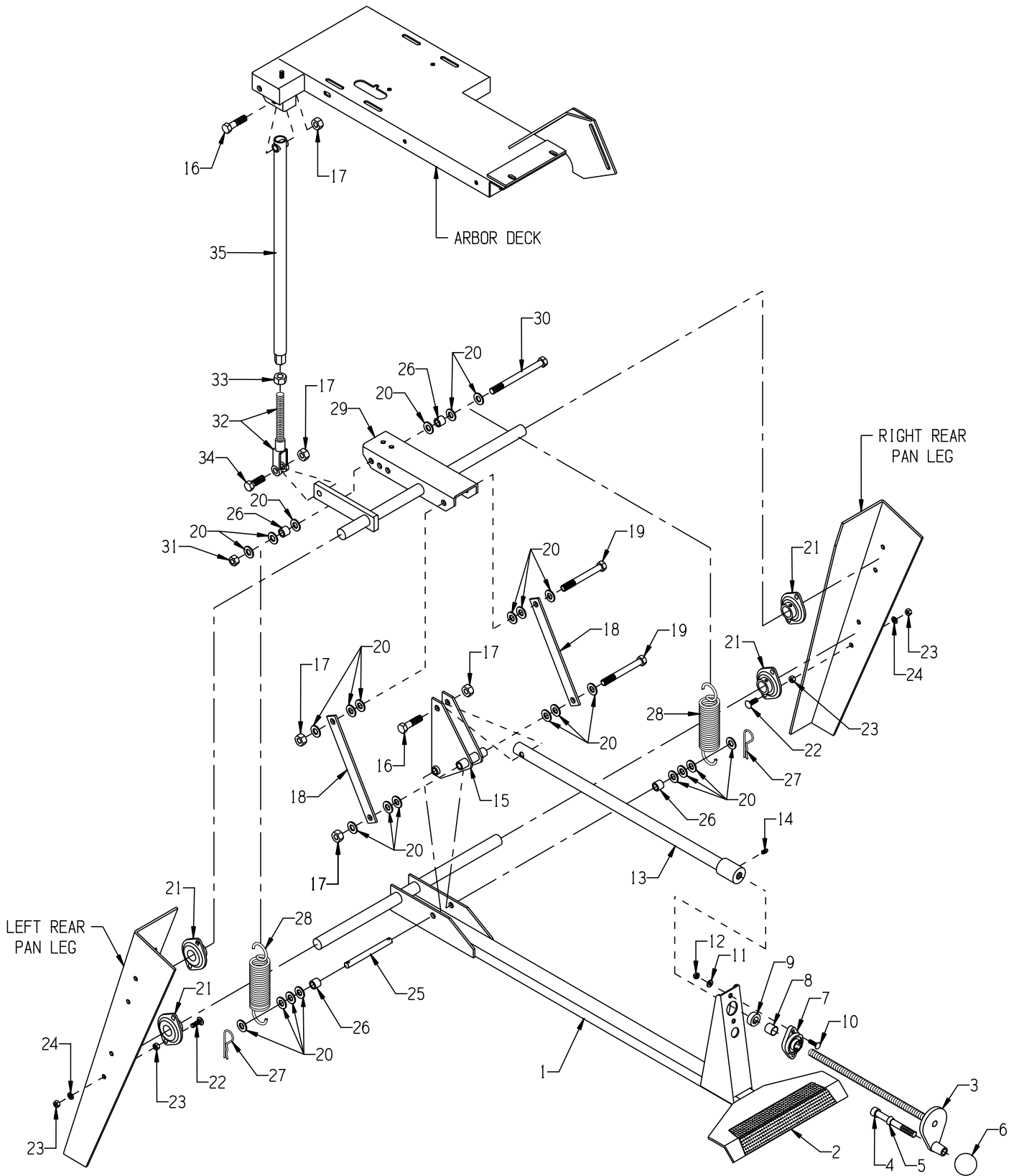
Email: sales@edcoinc.com

Printed in USA

JWA ©2012

Page 5

ILLUSTRATION 2: FOOT PEDAL & LINKAGE GROUPING



PARTS LISTING - ILLUSTRATION 2: FOOT PEDAL & LINKAGE GROUPING			
ITEM #	PART #	DESCRIPTION	QTY.
1	41121	TREADLE (FOOT PEDAL) MS/GMS-20	1
2	41132	TREAD, ABRASIVE, FOOT PEDAL	1
3	41012	HANDWHEEL, SMALL W/ 5/8-8 X 15"ROD	1
4	10346	SCREW, SKT. HD. CAP 1/2-13 X 4-1/2	1
5	50550	SLEEVE, BRASS 1/2" TAPERED	1
6	10104	KNOB, BALL 1-7/8 W/ 1/2-13THD, BLK.	1
7	80009	BEARING, BALL 5/8" 2-HOLE (NO G.F.)	1
8	55010	SPACER, HANDWHEEL 5/8"ID X 3/4"L	1
9	10096	COLLAR, LOCKING 5/8"ID	1
10	10412	BOLT, CARRIAGE 1/4-20 X 1 FULL THD.	2
11	10602	WASHER, FLAT 1/4 SAE ZINC	2
12	10861	NUT, KEPS LOCK 1/4-20 ZINC	2
13	41013	LINKAGE, CUT CONTROL, GMS/MS-20	1
14	10808	FITTING, GREASE 1/4-28 STRAIGHT	1
15	41014	LINKAGE, PIVOT, MS/GMS-20	1
16	10322	SCREW, CAP 1/2-20 X 2	2
17	10205	NUT, HEX LOCK 1/2-20 ZINC	5
18	41015	LINKAGE, CONNECTING, MS/GMS-20	2
19	10409	SCREW, CAP 1/2-20 X 4-1/2	2
20	10312	WASHER, FLAT 1/2 SAE ZINC	26
21	41060	BEARING, BALL 1" 2-HOLE SHEET METAL	4
22	10819	BOLT, CARRIAGE 5/16-18 X 1 FULL THD	8
23	10054	NUT, HEX 5/16-18 ZINC	16
24	10801	WASHER, LOCK 5/16 ZINC	8
25	41044	PIN, FOOT PEDAL SPRING, 1/2 X 5-1/4	1
26	41045	SPACER 3/4"OD X 1/2"ID X 5/8"L	4
27	61066	PIN, HAIR COTTER .080" X 1-9/16"OAL	2
28	41041	SPRING, EXT. 1.75"OD X 8"L	2
29	41122	TREADLE, TRANSFER ARM, MS/GMS-20	1
30	10329	SCREW, CAP 1/2-20 X 6	1
31	10154	NUT, HEX NYLON LOCK 1/2-20 ZINC	1
32	41019	LINKAGE, CLEVIS, MS/GMS-20	1
33	10046	NUT, HEX 5/8-11 ZINC	1
34	10308	SCREW, CAP 1/2-20 X 1-1/2	1
35	41018	LINKAGE, DRAG, GMS/MS-20	1



A Division of Equipment Development Company, Inc.

100 Thomas Johnson Drive, Frederick, MD 21702-4600 USA

Phone (301) 663-1600 • 1-800-638-3326

Fax (301) 663-1607 • 1-800-447-3326

Website: www.edcoinc.com

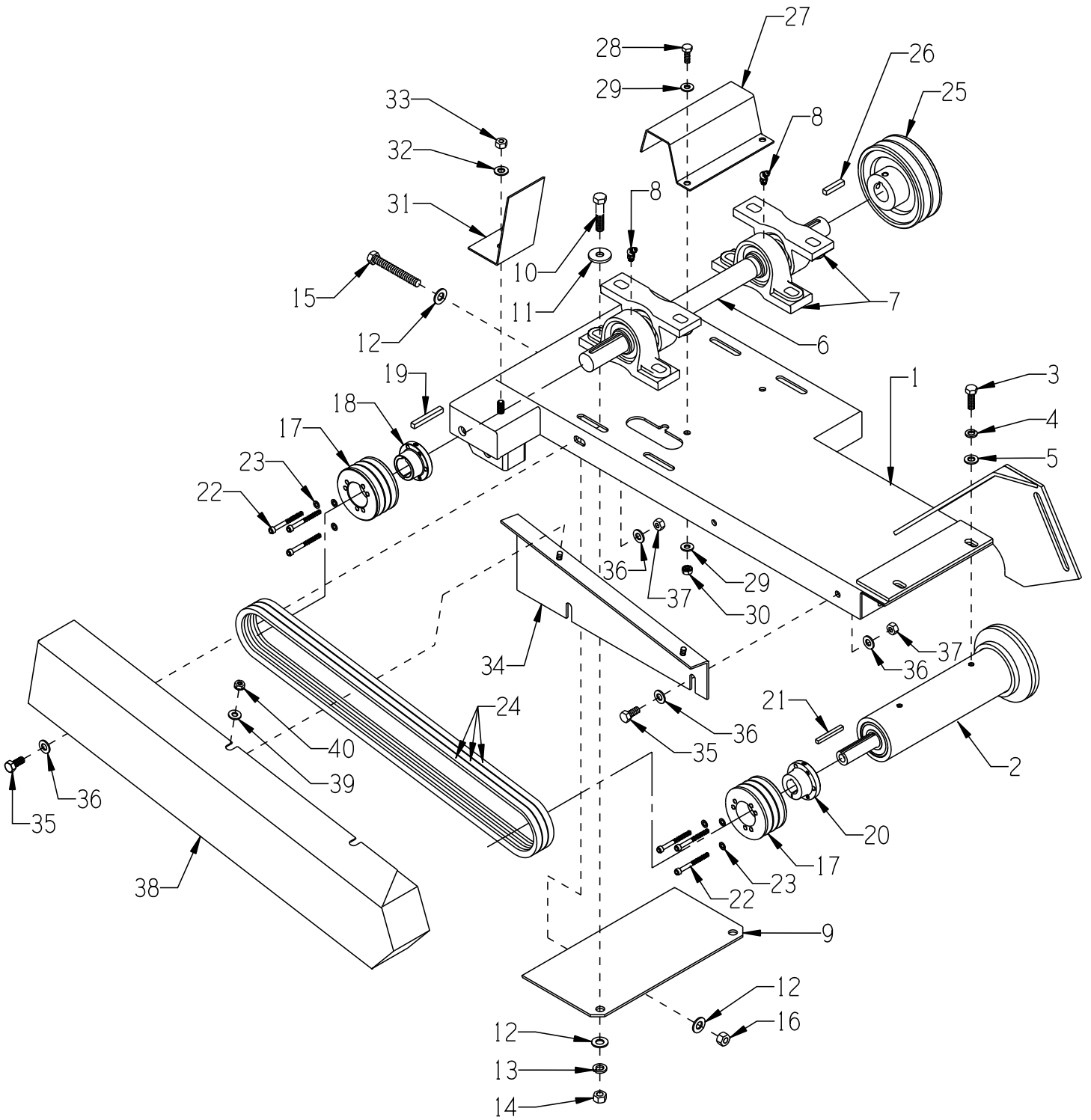
Email: sales@edcoinc.com

Printed in USA

JWA ©2012

Page 7

ILLUSTRATION 3: ARBOR DECK & BELT DRIVE GROUPING



PARTS LISTING - ILLUSTRATION 3: ARBOR DECK & BELT DRIVE GROUPING

ITEM #	PART #	DESCRIPTION	QTY.
1	41022	DECK, ARBOR, GMS-20	1
2	41113	ARBOR ASSY. COMPLETE (REFER TO ILLUS. 4 FOR BREAKDOWN)	1
3	10332	SCREW, CAP 5/16-24 X 1	4
4	10801	WASHER, LOCK 5/16 ZINC	4
5	10213	WASHER, FLAT 5/16 SAE ZINC	4
6	41031	SHAFT, JACK 1"DIA. X 16-1/2"L	1
7	50016	BEARING, BALL 1" PILLOW BLOCK	4
8	10960	FITTING, GREASE 1/4-28 X 45°	4
9	41023	BRACKET, TENSION, GMS-20	1
10	10029	SCREW, CAP 3/8-24 X 1-3/4	4
	10816	SCREW, CAP 3/8-24 X 1-1/2	4
11	11695	WASHER, 1.1210 X .3750 X .1280	8
12	10025	WASHER, FLAT 3/8 SAE ZINC	6
13	10811	WASHER, LOCK 3/8 ZINC	8
14	10014	NUT, HEX 3/8-24 ZINC	8
15	28025	BOLT, TAP 3/8-16 X 3 (FULL THREAD)	1
16	10156	NUT, HEX NYLON LOCK 3/8-16 ZINC	1
17	51312	SHEAVE 2.8"OD X 3GR.3V X JA	2
18	10557	BUSHING, SHEAVE JA X 1"BORE	1
19	10115	KEY 1/4SQ X 2	1
20	40644	BUSHING, SHEAVE JA X 3/4"BORE	1
21	10170	KEY 3/16SQ X 1-3/4	1
22	11584	SCREW, SKT. HD. CAP 10-24 X 2	6
23	10831	WASHER, LOCK, INT. TOOTH #10	6
24	10228	BELT 3VX-450, GATES SUPER HC (3/8" x 45")	3
25	10513	SHEAVE 4.5"OD X 2GR.A X 1"BORE	1
26	10305	KEY 1/4SQ X 1-1/4	1
27	41032	GUARD, JACK SHAFT, GMS-20	1
28	10018	SCREW, CAP 1/4-20 X 3/4	2
29	10602	WASHER, FLAT 1/4 SAE ZINC	2
30	10861	NUT, KEPS LOCK 1/4-20 ZINC	2
31	40354	COVER END CAP, BELT, GMS-14/20	1
32	10213	WASHER, FLAT 5/16 SAE ZINC	1
33	10807	NUT, HEX LOCK 5/16-18 ZINC	1
34	41030	BRACKET, BELT COVER, GMS-20	1
35	10053	SCREW, CAP 5/16-18 X 3/4	2
36	10213	WASHER, FLAT 5/16 SAE ZINC	6
37	10807	NUT, HEX LOCK 5/16-18 ZINC	3
38	41029	COVER, BELT, GMS-20	1
39	10602	WASHER, FLAT 1/4 SAE ZINC	2
40	10861	NUT, KEPS LOCK 1/4-20 ZINC	2



A Division of Equipment Development Company, Inc.

100 Thomas Johnson Drive, Frederick, MD 21702-4600 USA

Phone (301) 663-1600 • 1-800-638-3326

Fax (301) 663-1607 • 1-800-447-3326

Website: www.edcoinc.com

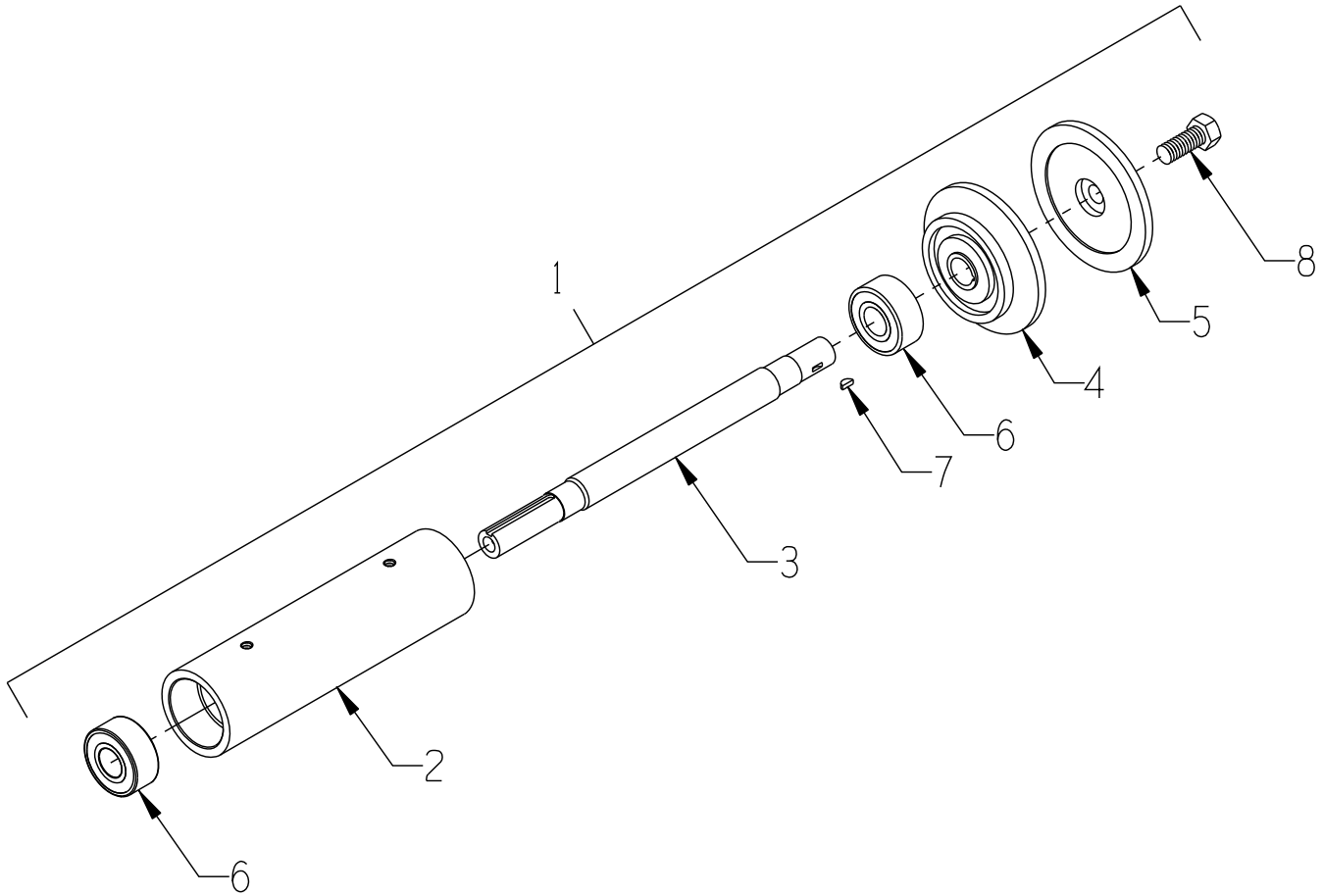
Email: sales@edcoinc.com

Printed in USA

JWA ©2012

Page 9

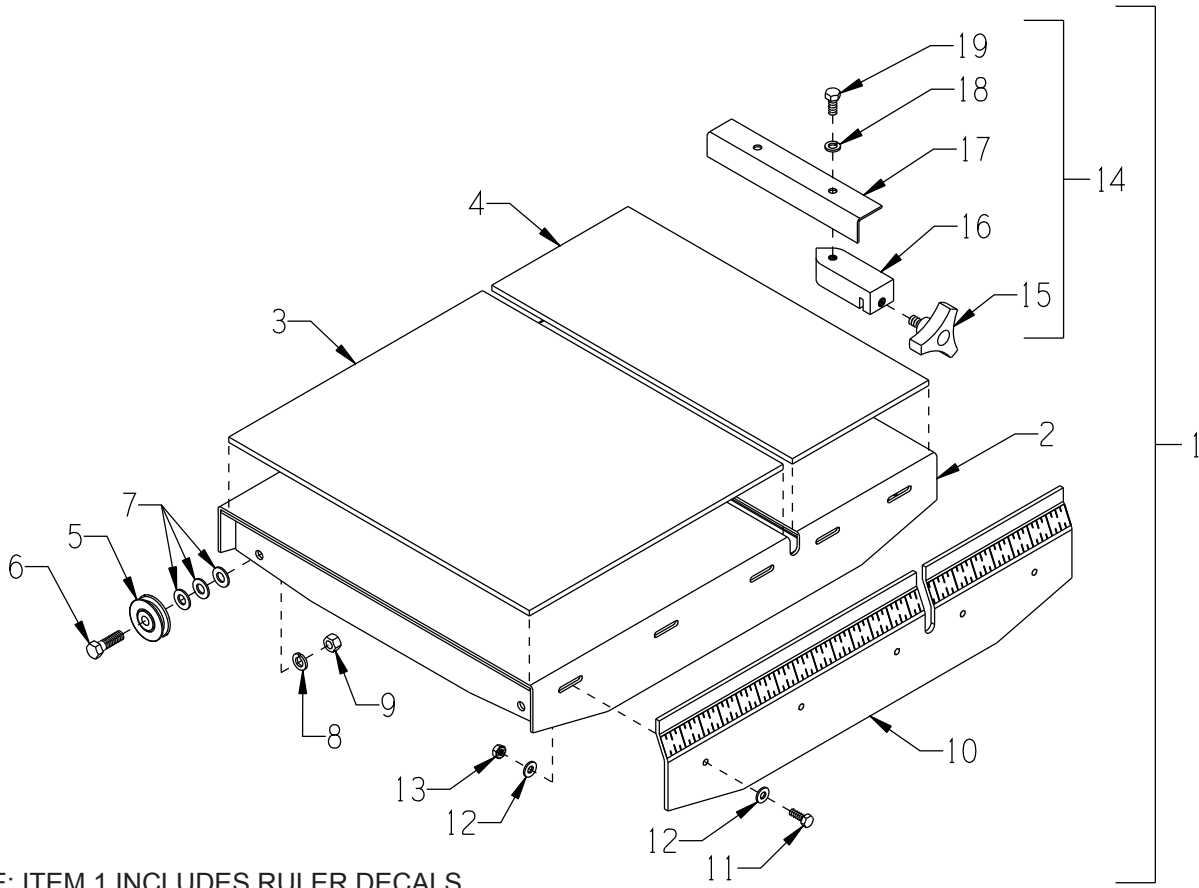
ILLUSTRATION 4: ARBOR ASSEMBLY



ITEM #	PART #	DESCRIPTION	QTY.
1	41113	ARBOR ASSY. COMPLETE (INCLUDES ITEMS 2 THRU 8)	1
2	41024	ARBOR HOUSING, MS/GMS-20	1
3	41025	ARBOR SHAFT 11-3/4"L, MS/GMS-20	1
4	40022	ARBOR BACKING PLATE 4", MASONRY SAW	1
5	40023	ARBOR BLADE CAP 4", MASONRY SAW	1
6	40018	BEARING, RADIAL BALL 20X47X20.6MM	2
7	40036	KEY, WOODRUFF 1/8 X 3/8 (#403)	1
8	10321	SCREW, CAP 1/2-20 X 1-1/4	1

ILLUSTRATION 5: ROLLING TABLE ASSEMBLY

E-GMS20-PL-1012



* NOTE: ITEM 1 INCLUDES RULER DECALS

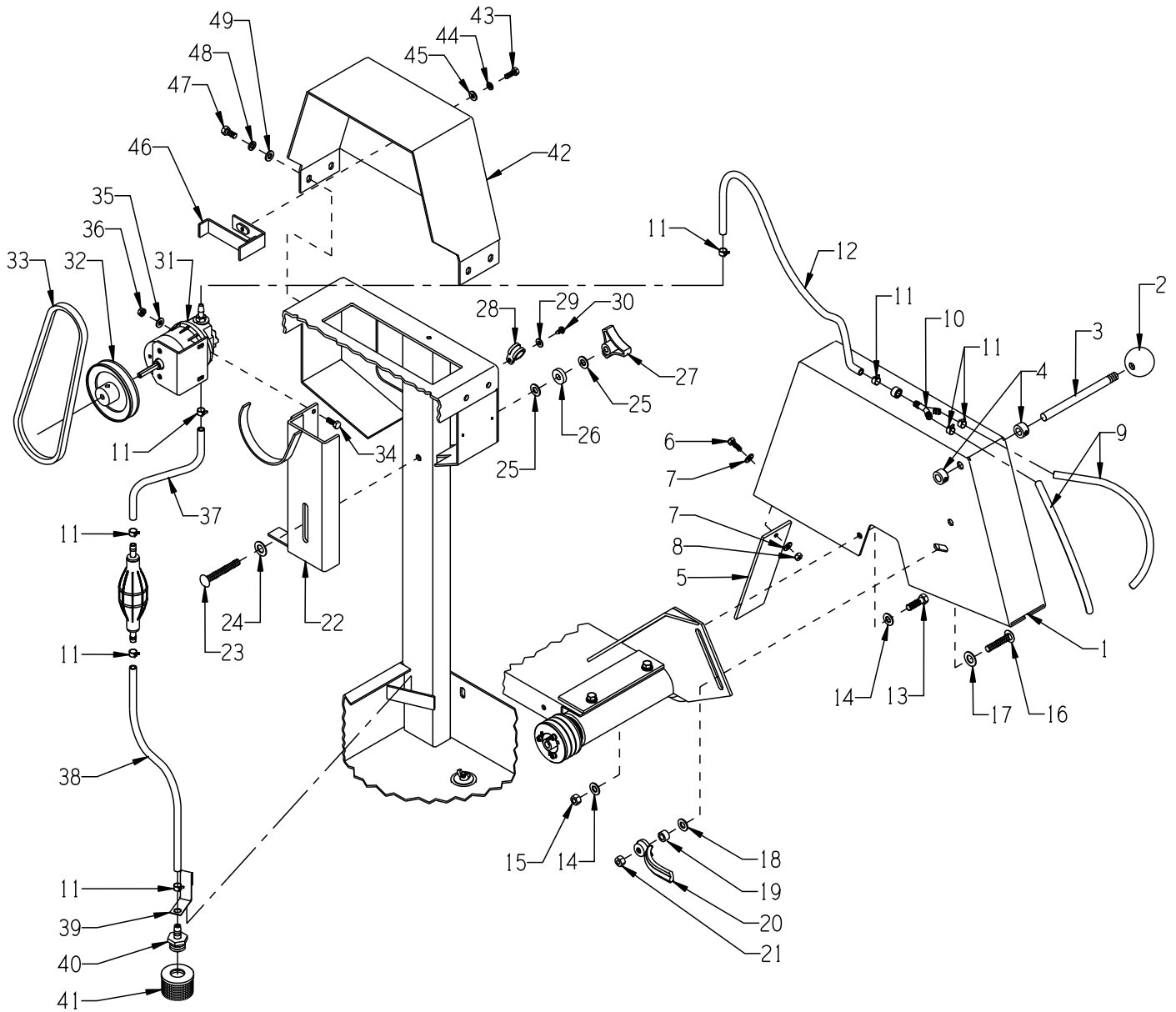
ITEM #	PART #	DESCRIPTION	QTY.
1*	41101	TABLE COMPLETE, ROLLING (INCLUDES ITEMS 2 THRU 19)	1
2	41102	TABLE ONLY, ROLLING, GMS/MS-20	1
3	41006	RUBBER PAD 16 X 13-5/8 X 1/4	1
4	41007	RUBBER PAD 16 X 7-1/4 X 1/4	1
5	3621	PULLEY BEARING 1-3/4DIA. X 3/8BORE (A.K.A. TRACK WHEEL)	4
6	10816	SCREW, CAP 3/8-24 X 1-1/2	4
7	10025	WASHER, FLAT 3/8 SAE ZINC (QTY. & SPACING MAY VARY)	12
8	10811	WASHER, LOCK 3/8 ZINC	4
9	10014	NUT, HEX 3/8-24 ZINC	4
10	41103	FRONT PANEL, ROLL TABLE (NO RULER DECALS)	1
11	10018	SCREW, CAP 1/4-20 X 3/4	5
12	10602	WASHER, FLAT 1/4 SAE ZINC	10
13	10861	NUT, KEPS LOCK 1/4-20 ZINC	5
14	41140	GUIDE SUBASSEMBLY, CUT, MS/GMS-20 (INCL. ITEMS 15 THRU 19)	1
15	40425	KNOB, 3-PRONG W/ 3/8-16 X 5/8 STUD	1
16	42015	BLOCK, CUT GUIDE, MASONRY SAW	1
17	40689	BRACKET, CUT GUIDE, UNIVERSAL	1
18	10801	WASHER, LOCK 5/16 ZINC	1
19	10053	SCREW, CAP 5/16-18 X 3/4	1



100 Thomas Johnson Drive, Frederick, MD 21702-4600 USA
 Phone (301) 663-1600 • 1-800-638-3326
 Fax (301) 663-1607 • 1-800-447-3326
 Website: www.edcoinc.com
 Email: sales@edcoinc.com

Printed in USA
 JWA ©2012
Page 11

ILLUSTRATION 6: BLADE GUARD & WATER PUMP GROUPING



ITEM #	PART #	DESCRIPTION	QTY.
1	41026	GUARD, BLADE 20", MS/GMS-20	1
2	10104	KNOB, BALL 1-7/8 W/ 1/2-13THD, BLK.	1
3	41027	SHAFT, HANDLE, GMS/MS-20	1
4	10431	COLLAR, LOCKING 1/2"ID	2
5	41115	FLAP, RUBBER 2-1/2 X 8	1
6	10018	SCREW, CAP 1/4-20 X 3/4	1
7	10602	WASHER, FLAT 1/4 SAE ZINC	2
8	10015	NUT, HEX LOCK 1/4-20 ZINC	1
9	41061	HOSE 5/16"ID X 12"L, GMS/MS-20	2
10	11721	BARBED FITTING, "Y" 5/16"HOSE	1

100 Thomas Johnson Drive, Frederick, MD 21702-4600 USA

Phone (301) 663-1600 • 1-800-638-3326

Fax (301) 663-1607 • 1-800-447-3326

Website: www.edcoinc.com

Email: sales@edcoinc.com

**PARTS LISTING CONTINUED - ILLUSTRATION 6:
BLADE GAIRD & WATER PUMP GROUPING**

ITEM #	PART #	DESCRIPTION	QTY.
11	10763	CLAMP, HOSE, SPRING-BAND 7/16"	8
12	41062	HOSE 5/16"ID X 35"L, GMS-20	1
13	10309	SCREW, CAP 3/8-24 X 1-1/4 ZINC	1
14	10025	WASHER, FLAT 3/8 SAE ZINC	2
15	10004	NUT, HEX LOCK 3/8-24 ZINC	1
16	10364	BOLT, CARRIAGE 3/8-16 X 2 GRADE 5	1
17	10040	WASHER, GARRET 17/32 X 1 X .054	1
18	10025	WASHER, FLAT 3/8 SAE ZINC	1
19	10011	SPACER, STEEL 5/8OD X 3/8ID X 3/8T	1
20	40044	NUT, TAIL HANDLE 3/8-16	1
21	10810	NUT, HEX LOCK 3/8-16 ZINC	1
22	41034	MOUNT, WATER PUMP, GMS-20	1
23	10909	BOLT, CARRIAGE 3/8-16 X 3 ZINC	1
24	10040	WASHER, GARRET 17/32 X 1 X .054	1
25	10025	WASHER, FLAT 3/8 SAE ZINC	2
26	56018	BUSHING, RUBBER 1"OD X 3/8"ID X 1/4	1
27	80011	KNOB, 3-PRONG W/ 3/8-16 THD.	1
28	11565	CLAMP, LOOM, 5/8" (SAE SIZE 10)	1
29	10877	SCREW, CAP STSHW 10-24 X 1/2	1
30	10831	WASHER, LOCK, INT. TOOTH #10	1
31	40393	PUMP ASSY., WATER, GMS-20 (REFER TO ILLUS. 9 FOR BREAKDOWN)	1
32	40392	SHEAVE 4"OD X 1GR.A X 5/16"BORE	1
33	10259	BELT A-29, GATES HI-POWER II (1/2" x 31")	1
34	10018	SCREW, CAP 1/4-20 X 3/4	2
35	10602	WASHER, FLAT 1/4 SAE ZINC	2
36	10861	NUT, KEPS LOCK 1/4-20 ZINC	2
37	40368	HOSE 5/16"ID X 6"L	1
38	41047	HOSE 5/16"ID X 16"L	1
39	40693	CLIP, FILTER HANGER (S.S.)	1
40	40692	BARB, 3/8HOSE X 3/4NPT (NYLON)	1
41	40691	FILTER BASKET 3/4NPT, 16 MESH S.S.	1
42	41059	COVER, ENGINE BELT, GMS20	1
43	10018	SCREW, CAP 1/4-20 X 3/4	1
44	10038	WASHER, LOCK 1/4 ZINC	1
45	10602	WASHER, FLAT 1/4 SAE ZINC	1
46	41054	RETAINER, WATER PUMP BELT, GMS-20	1
47	10053	SCREW, CAP 5/16-18 X 3/4	4
48	10801	WASHER, LOCK 5/16 ZINC	4
49	10213	WASHER, FLAT 5/16 SAE ZINC	4



A Division of Equipment Development Company, Inc.

100 Thomas Johnson Drive, Frederick, MD 21702-4600 USA

Phone (301) 663-1600 • 1-800-638-3326

Fax (301) 663-1607 • 1-800-447-3326

Website: www.edcoinc.com

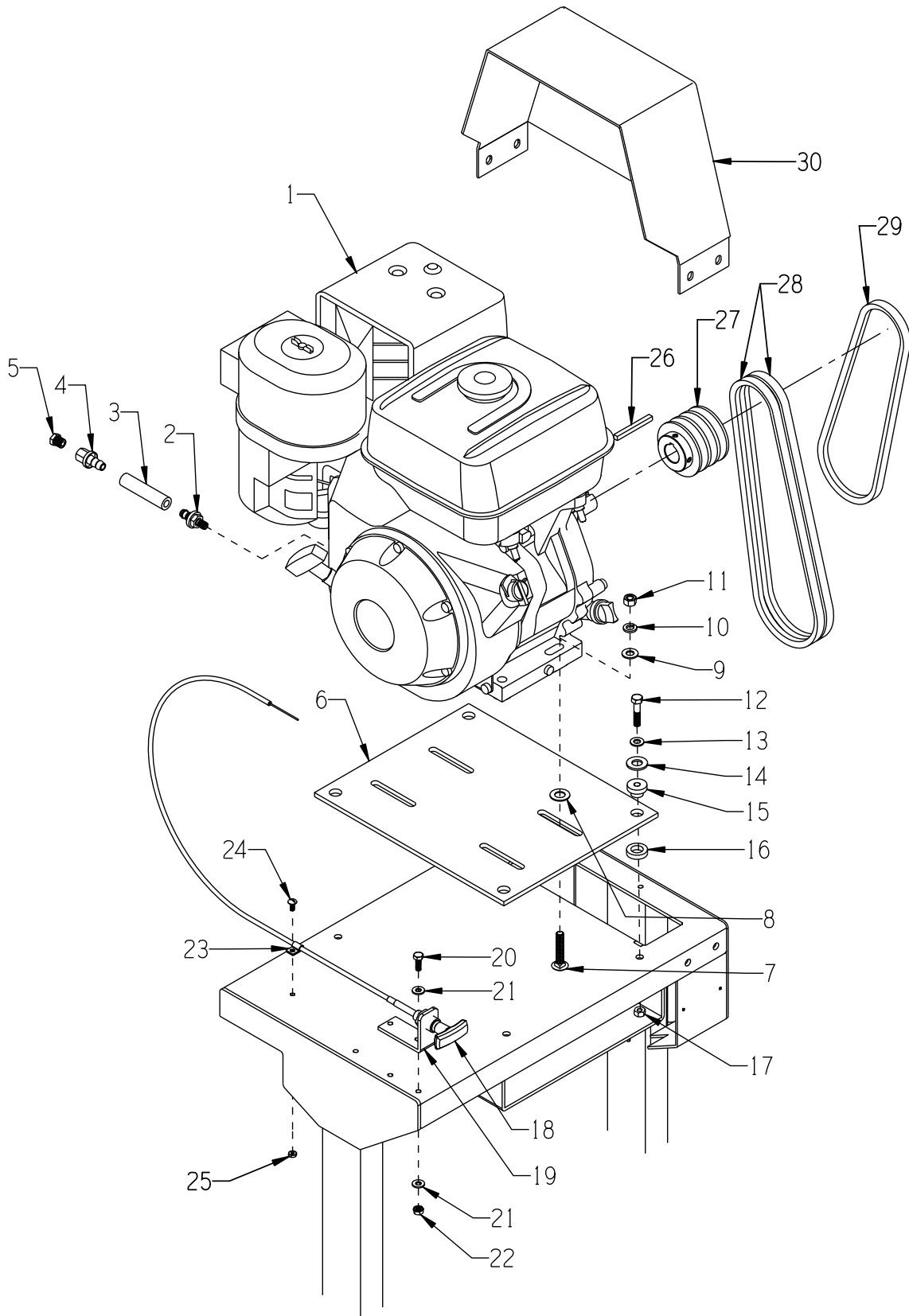
Email: sales@edcoinc.com

Printed in USA

JWA ©2012

Page 13

ILLUSTRATION 7: ENGINE GROUPING



PARTS LISTING - ILLUSTRATION 7: ENGINE GROUPING			
ITEM #	PART #	DESCRIPTION	QTY.
1	15027 79045 15029 15069	HONDA ENGINE W/ CYCLONE AIR CLEANER GX270UT2-QXC9 GX340UT2-QXC9 GX390UT2-QXC9 GX390U1-QNE2 (12V STARTER, NO CYCLONE A.C.)	1
2	11542	BARB, PUSH-ON 3/8HOSE X M12-1.5MALE	1
3	56116	HOSE, PUSH-ON 3/8"ID X 3"L	1
4	11544	BARB, PUSH-ON 3/8 HOSE X 1/4FPT	1
5	10776	PIPE PLUG 1/4 NPT (BRASS)	1
6	41049 41035	ENGINE MOUNT PLATE HONDA GX270 HONDA GX340/390	1
7	10364	BOLT, CARRIAGE 3/8-16 X 2 GRADE 5	4
8	12121	WASHER, 1"OD X 17/32"ID X 21G ZINC	4
9	10025	WASHER, FLAT 3/8 SAE ZINC	4
10	10811	WASHER, LOCK 3/8 ZINC	4
11	10404	NUT, HEX 3/8-16 ZINC	4
12	10342	SCREW, CAP 5/16-18 X 1-1/2	4
13	10213	WASHER, FLAT 5/16 SAE ZINC	4
14	10312	WASHER, FLAT 1/2 SAE ZINC	4
15	10225	BUSHING, RUBBER, ENGINE MOUNT	4
16	79035	BUSHING, RUBBER 1-1/16 X 5/8 X 1/4	4
17	10807	NUT, HEX LOCK 5/16-18 ZINC	4
18	51081	CABLE, TURN-TO-LOCK CONTROL 72" (NOTE: TRIMMED TO APPROX. 34")	1
19	64075	MOUNT BRKT., THROTTLE CABLE	1
20	10018	SCREW, CAP 1/4-20 X 3/4	2
21	10602	WASHER, FLAT 1/4 SAE ZINC	4
22	10861	NUT, KEPS LOCK 1/4-20 ZINC	2
23	10941	CLIP, CONDUIT, THROTTLE CABLE	1
24	10830	SCREW, MACHINE PPH 10-32 X 1/2	1
25	10832	NUT, KEPS LOCK 10-32 ZINC	1
26	10071	KEY, 1/4SQ. X 2-1/2	1
27	80027	SHEAVE 3"OD X 3GR.A X 1"BORE	1
28	10239	BELT A-32, GATES HI-POWER II (1/2" X 34")	2
29	10259	BELT A-29, GATES HI-POWER II (1/2" x 31")	1
30	41059	COVER, ENGINE BELT (SEE ILLUS. 6, ITEM 42)	1



A Division of Equipment Development Company, Inc.

100 Thomas Johnson Drive, Frederick, MD 21702-4600 USA

Phone (301) 663-1600 • 1-800-638-3326

Fax (301) 663-1607 • 1-800-447-3326

Website: www.edcoinc.com

Email: sales@edcoinc.com

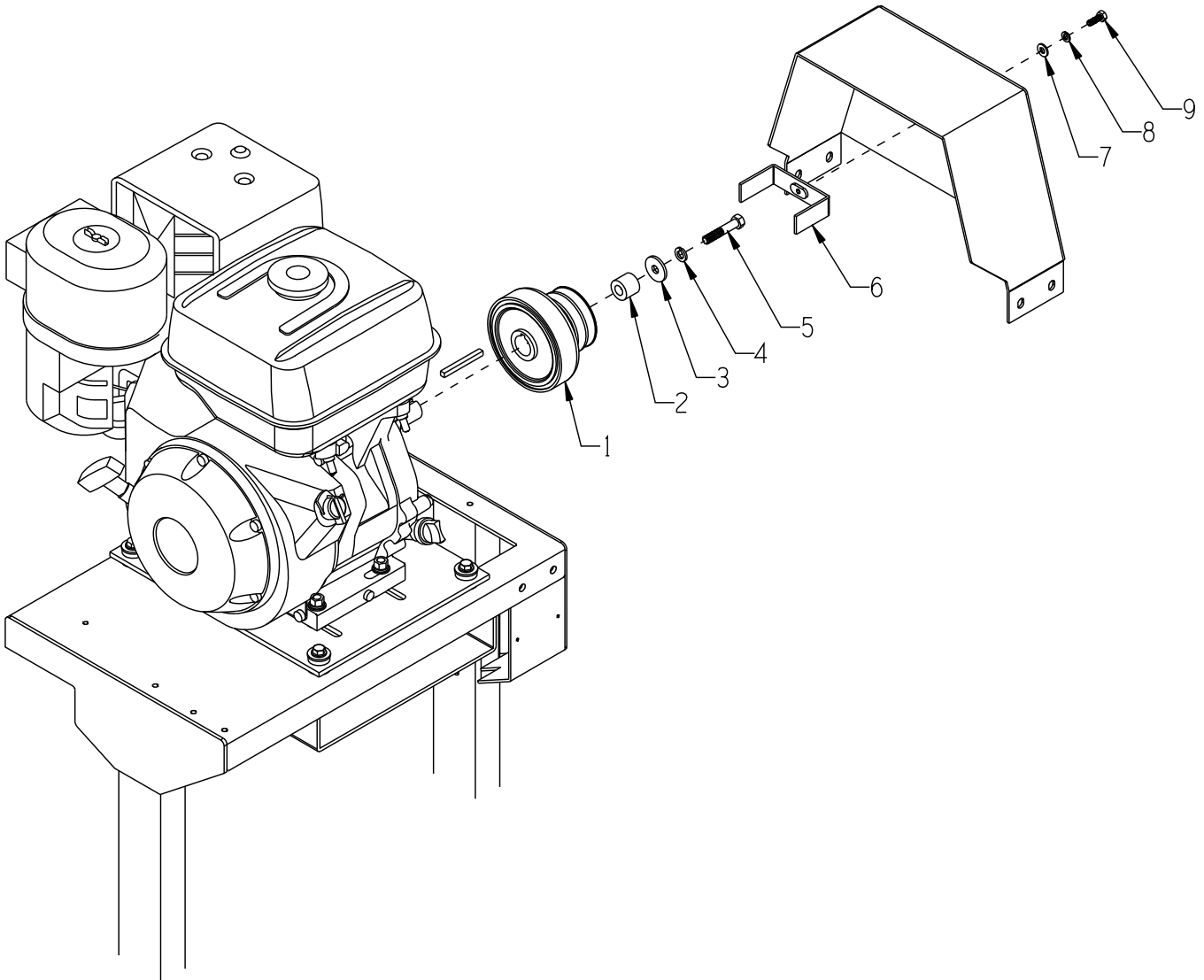
Printed in USA

JWA ©2012

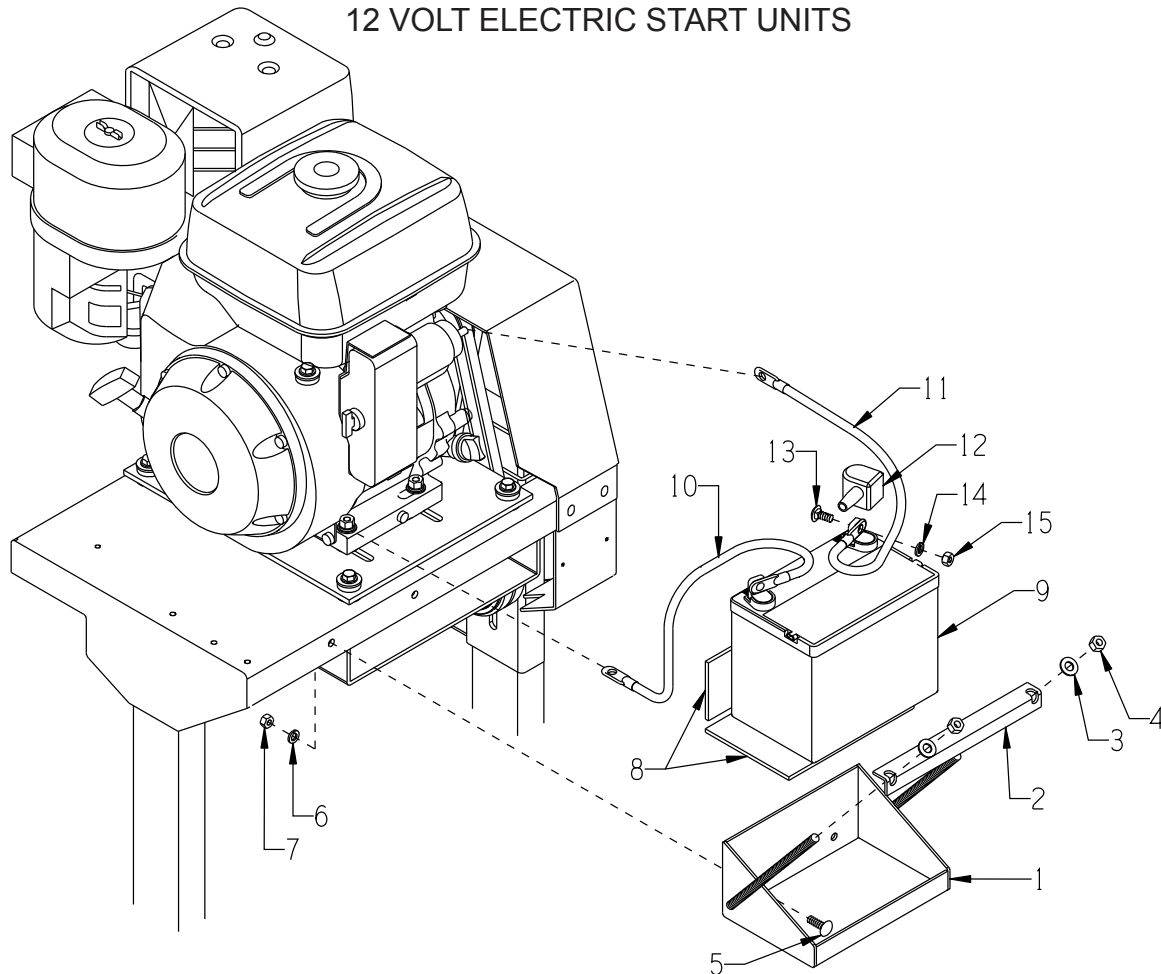
Page 15

ILLUSTRATION 8: OPTIONAL CLUTCH KIT

PART # 41055



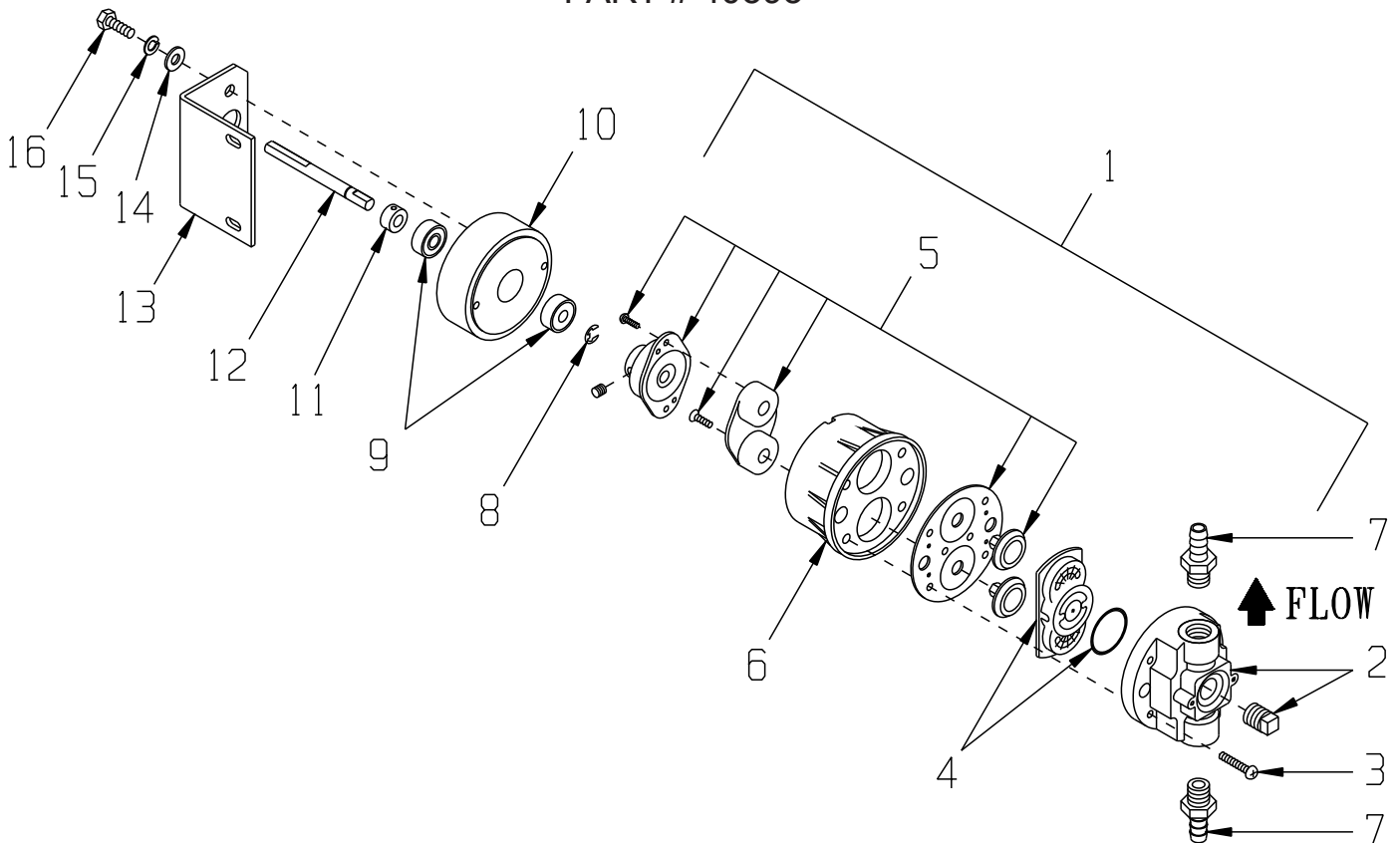
ITEM #	PART #	DESCRIPTION	QTY.
1	40335	CLUTCH, CENTRIFUGAL 3 X 3GR X 1	1
2	41056	SPACER 1"OD X 1/2"ID X 27/32"L	1
3	72006	WASHER, 1-1/4OD X 13/32ID X 1/8THK	1
4	10811	WASHER, LOCK 3/8 ZINC	1
5	10030	SCREW, CAP 3/8-24 X 2	1
6	41058	RETAINER, BELT, GMS20 W/ CLUTCH	1
7	10602	WASHER, FLAT 1/4 SAE ZINC	1
8	10038	WASHER, LOCK 1/4 ZINC	1
9	10018	SCREW, CAP 1/4-20 X 3/4	1

ILLUSTRATION 9: BATTERY GROUPING**12 VOLT ELECTRIC START UNITS**

ITEM #	PART #	DESCRIPTION	QTY.
1	41063	TRAY, BATTERY, GMS-20	1
2	84012	CLAMP, BATTERY HOLD DOWN	1
3	10025	WASHER, FLAT 3/8 SAE ZINC	2
4	10156	NUT, HEX NYLON LOCK 3/8-16 ZINC	2
5	10819	BOLT, CARRIAGE 5/16-18 X 1	2
6	10801	WASHER, LOCK 5/16 ZINC	2
7	10054	NUT, HEX 5/16-18 ZINC	2
8	41064	RUBBER PADS, BATTERY TRAY, GMS-20 (2 PADS)	1
9	84011	BATTERY 12 VOLT/300 CCA(SMALL ENG.)	1
10	84009	CABLE, EYE-EYE 4GA. X 16" (BLACK)	1
11	84009R	CABLE, EYE-EYE 4GA. X 16" (RED)	1
12	11583	INSULATOR, BAT.TERM. U-1 STYLE(RED)	1
13	10818	BOLT, CARRIAGE 5/16-18 X 3/4	2
14	10801	WASHER, LOCK 5/16 ZINC	2
15	10054	NUT, HEX 5/16-18 ZINC	2

ILLUSTRATION 10: WATER PUMP ASSEMBLY

PART # 40393



ITEM #	PART #	DESCRIPTION	QTY.
1	56101-S1	PUMP HEAD, DUPLEX 21050-653A (INCLUDES ITEMS 2 THRU 6)	1
2	56101-S2	PUMP HOUSING BODY 20500-507	1
3	56101-S3	PUMP SCREWS (SET OF 6) 20131-001	1-SET
4	56101-S4	PUMP CHECK VALVE KIT 20028-008	1
5	56101-S5	PUMP DIAPHRAGM KIT W/ BRG 21004-401	1
6	56101-S6	PUMP HOUSING BRG. COVER 20428-100	1
7	40319	BARB, 5/16HOSE X 3/8MPT (BRASS)	2
8	10137	RETAINING RING, E-CLIP 5/16"	1
9	40391	BEARING, RADIAL BALL 5/16X7/8X11/32	2
10	40393-S1	HUB, WATER PUMP	1
11	10415	COLLAR, LOCKING 5/16"ID	2
12	40393-S2	SHAFT, WATER PUMP 5/16 X 3-3/4	1
13	40393-S3	MOUNT BRKT., WATER PUMP. GMS-14/20	1
14	10602	WASHER, FLAT 1/4 SAE ZINC	2
15	10038	WASHER, LOCK 1/4 ZINC	2
16	10018	SCREW, CAP 1/4-20 X 3/4	2

THIS PAGE WAS LEFT BLANK INTENTIONALLY



A Division of Equipment Development Company, Inc.

100 Thomas Johnson Drive, Frederick, MD 21702-4600 USA

Phone (301) 663-1600 • 1-800-638-3326

Fax (301) 663-1607 • 1-800-447-3326

Website: www.edcoinc.com

Email: sales@edcoinc.com

Printed in USA

JWA ©2012

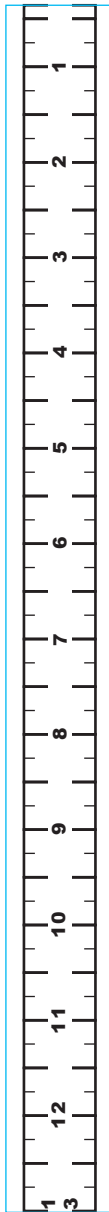
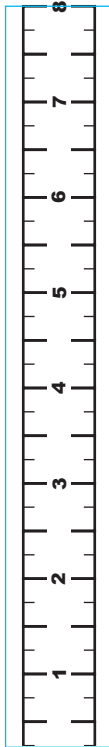
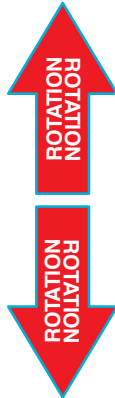
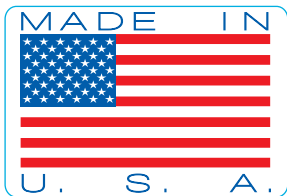
Page 19

DECAL SHEET 1



GMS & MS 20 14 x 17
P/N 92222-1 RevA

CALIFORNIA PROPOSITION 65 WARNING
The engine exhaust from this product contains chemicals known to the State of California to cause cancer, birth defects or other reproductive harm.



Disengage water pump when cutting dry

THROTTLE

CHECK OIL DAILY

exceeds 85dBA

SINGLE PHASE

THREE PHASE

230 VOLTS



RENTAL-TOUGH

GREASE BEARINGS
DAILY

BrickKOT-R



DECAL SHEET 2

GMS & MS 20 14 x 11
P/N 92222-2_RevA



THIS PAGE WAS LEFT BLANK INTENTIONALLY



LIMITED EQUIPMENT WARRANTY OF SALE - TERMS & CONDITIONS

Equipment Development Company, Inc. herein referred to as EDCO (Seller) warrants that each new unit manufactured by EDCO to be free from defects in material and workmanship in normal use and service for a period of (1) one year (except for the cutter drum assembly on all model concrete/asphalt planes, in which case the warranty period shall be 90 days) from date of shipment to the original retail or equipment rental center owner.

Accessories or equipment furnished and installed on the product by EDCO but manufactured by others, including, but not limited to engines, motors, electrical components, transmissions etc., shall carry the accessory manufacturers own warranty.

EDCO will, at its option, repair or replace, at the EDCO factory or at a point designated by EDCO, any part which shall appear to the satisfaction of EDCO inspection to have been defective in material or workmanship.

EDCO reserves the right to modify, alter and improve any part or parts without incurring any obligation to replace any part or parts previously sold without such modified, altered or improved part or parts.

This warranty is in lieu of and excludes all other warranties, expressed, implied, statutory, or otherwise created under applicable law including, but not limited to the warranty of merchantability and the warranty of fitness for a particular purpose in no event shall seller or the manufacturer of the product be liable for special, incidental, or consequential damages, including loss of profits, whether or not caused by or resulting from the negligence of seller and/or the manufacturer of the product unless specifically provided herein. In addition, this warranty shall not apply to any products or portions thereof which have been subjected to abuse, misuse, improper installation, maintenance, or operation, electrical failure or abnormal conditions and to products which have been tampered with, altered, modified, repaired, reworked by anyone not approved by seller or used in any manner inconsistent with the provisions of the above or any instructions or specifications provided with or for the product

FORCE MAJEURE

Seller's obligation hereunder are subject to, and Seller shall not be held responsible for, any delay or failure to make delivery of all or any part of the Product due to labor difficulties, fires, casualties, accidents, acts of the elements, acts of God, transportation difficulties, delays by a common carrier, inability to obtain Product, materials or components or qualified labor sufficient to timely perform part of or all of the obligations contained in these terms and conditions, governmental regulations or actions, strikes, damage to or destruction in whole or part of manufacturing plant, riots, terrorist attacks or incidents, civil commotions, warlike conditions, flood, tidal waves, typhoon, hurricane, earthquake, lightning, explosion or any other causes, contingencies or circumstances within or without the United States not subject to the Seller's control which prevent or hinder the manufacture or delivery of the Products or make the fulfillment of these terms and conditions impracticable. In the event of the occurrence of any of the foregoing, at the option of Seller, Seller shall be excused from the performance under these Terms and Conditions, or the performance of the Seller shall be correspondingly extended.

This document sets forth the terms and conditions pursuant to which the purchaser ("Purchaser") will purchase and Equipment Development Co. Inc. ("Seller") will sell the products, accessories, attachments (collectively the Products) ordered by the Purchaser. These terms and conditions shall govern and apply to the sale of Seller's Products to Purchaser, regardless of any terms and conditions appearing on any purchase order or other forms submitted by Purchaser to Seller, or the inconsistency of any terms therein and herein.

1. PRICE

All prices set forth on any purchase order or other document are F.O.B. Sellers facility or distribution point, as may be determined by Seller (F.O.B. Point). All prices are exclusive of any and all taxes, including, but not limited to, excise, sales, use, property or transportation taxes related to the sale or use of the Products, now or hereafter imposed, together with all penalties and expenses. Purchaser shall be responsible for collecting and/or paying any and all such taxes, whether or not they are stated in any invoice for the Products. Unless otherwise specified herein, all prices are exclusive of inland transportation, freight, insurance and other costs and expenses relating to the shipment of the Products from the F.O.B. point to Purchaser's facility. Any prepayment by Seller of freight insurance and other costs shall be for the account of Purchaser and shall be repaid to Seller.

2. PAYMENT TERMS

Payment terms are as follows. 2% 10 days (to approved and qualified accounts). Net 30 days. This is a cash discount for invoices paid within 10 days after the invoice date, regardless of date of receipt of shipment. This is not a trade discount and will not be granted to accounts that do not adhere to stated terms.

*All past due accounts are subject to a late payment fee of 1.5% per month or a maximum allowed by law if different, along with the expenses incidental to collection including reasonable attorney's fees and costs.

*Seller reserves the right to hold shipments against past due accounts.

*Seller reserves the right to alter payment terms.

3. FREIGHT TERMS

All shipments will be made F.O.B. shipping point as designated in these Terms and Conditions, and title shall pass at the F.O.B. point. Delivery to the initial common carrier shall constitute delivery to the Purchaser. Any claims for loss or damage during shipment are to be filed with carrier by the Purchaser. Seller will not assume responsibility for the performance of the carrier.

Back orders will be shipped in the most practical fashion with charges consistent with our freight policy established with the original order. UPS, FED EX, MAIL or shipments by other couriers are subject to the same terms and conditions as outlined in paragraph #3 "Freight Terms".

4. DELIVERY, DAMAGES, SHORTAGES

Seller shall use reasonable efforts to attempt to cause the Products to be delivered as provided for in these Terms & Conditions. Delivery to the initial common carrier shall constitute the delivery to the Purchaser. Seller's responsibility, in so far as transportation risks are concerned ceases upon the delivery of the Products in good condition to such carrier at the F.O.B. point and all the Products shall be shipped at the Purchaser's risk. Seller shall not be responsible or liable for any loss of income and/or profits, or incidental, special, consequential damages resulting from Seller's delayed performance in shipment and delivery.

5. RETURN OF DEFECTIVE PRODUCTS

Defective or failed material shall be held at the Purchaser's premises until authorization has been granted by Seller to return or dispose of Products. Products that are to be returned for final inspection must be returned Freight Prepaid in the most economical way. Credit will be issued for material found to be defective upon Seller's inspection based on prices at time of purchase.

6. PRODUCTS ORDERED IN ERROR

Products may be returned, provided that claim is made and Seller is notified within 7 days of receipt of Products, and the Products are in original buyer's possession not more than 30 days prior to return, subject to Seller's approval. If Products are accepted for return, they must be Freight Prepaid and buyer will be charged a minimum of 15% restocking charge, plus a charge back for outbound freight charges if the original order was shipped prepaid. Returns are not accepted for any Products that are specifically manufactured to meet the buyer's requirement of either specifications or quantity.

AGREEMENTS

These Terms and Conditions constitute the entire agreement between Seller and Purchaser as it relates to terms and conditions of sale, and supersedes any and all prior oral or written agreements, correspondence, quotations or understandings heretofore in force between the parties relating to the subject matter hereof. There are no agreements between Seller and Purchaser with respect to the Product herein except those specifically set forth in and made part of these terms and conditions. Any additional terms, conditions and/or prices are rejected by Seller.

These terms and conditions may be modified, cancelled or rescinded only by a written agreement of both parties executed by their duly authorized agents.

USE ONLY GENUINE EDCO PARTS & ACCESSORIES
For your own safety, the safety of others and the life of your machine.

Equipment Development Company, Inc.

