

This print is the property of American Fan Co. It has been loaned for reference use only, and is not to be used for making the part(s) described unless a purchase order has been issued or authorization given in writing. It will not be copied, duplicated, or used in any manner detrimental to the interest of American Fan Co.

DISTRIBUTION

FAB	0
WELD	0
WHLWD	0
MACH	0
QA	1
ASSY	1
NC	0
PURCH	0
MISC.	0
	0
	0
	0

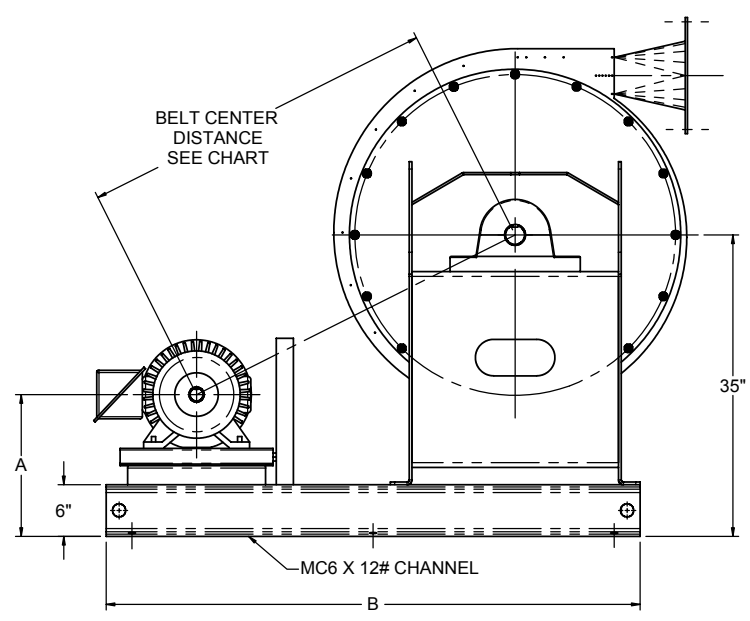
FAN SIZE	FRAME SIZE	MIN. BELT CD	MID BELT CD	MAX. BELT CD	MAX. NEMA "C"	A	B	C	D	E
401 THRU 405	250T	39.6	41.4	43.2	24 3/16	16 1/2	62	16 1/2	28	37
	280T	39.9	42.0	44.0	28 13/16	17 1/2	64	17 1/2	29	38
	320T	40.8	43.2	45.6	32	18 3/4	67	19	30 1/2	40
	360T	41.0	43.8	46.6	34 3/16	19 3/4	70	20 1/2	32	41
	400T	41.5	44.9	48.2	41 7/16	22 1/4	73	22	33 1/2	43
	440T	41.9	45.5	49.2	48 11/16	23 1/4	77	24	35 1/2	44

FAN SIZE	F	G	NOT AVAILABLE IN THE FOLLOWING DISCHARGE POSITIONS
401	29 3/4	8 1/4	CLOCKWISE BOTTOM HORIZONTAL CLOCKWISE DOWN BLAST COUNTER-CLOCKWISE DOWN BLAST COUNTER-CLOCKWISE TOP ANGULAR DOWN
402	29 7/8	8 1/8	
403	30 1/8	7 7/8	
404	31	7	
405	32 1/4	5 3/4	

A
B
C
D
E
F
G
H
J
K
L

Rotation Viewed From Drive Side

FIG. #	FIG. #	FAN SIZE	FRAME SIZE	TOTAL WEIGHT IN LBS.
FIG. 1	FIG. 8	401	250T	1355
CW-TAU	CCW-TAU		280T	1520
FIG. 2	FIG. 9		320T	1720
CW-UB	CCW-UB		360T	1945
FIG. 3	FIG. 10		400T	2340
CW-BAU	CCW-BAU		440T	2810
FIG. 4	FIG. 11	402	250T	1355
CW-BH	CCW-BH		280T	1520
FIG. 5	FIG. 12		320T	1720
CW-DB	CCW-DB		360T	1945
FIG. 6	FIG. 13		400T	2340
CW-TAD	CCW-TAD		440T	2810
FIG. 7	FIG. 14	403	250T	1365
NOT AVAILABLE	NOT AVAILABLE		280T	1530
FIG. 5	FIG. 12		320T	1730
CW-DB	CCW-DB		360T	1955
FIG. 6	FIG. 13		400T	2350
CW-TAD	CCW-TAD		440T	2820
FIG. 7	FIG. 14	404	250T	1330
NOT AVAILABLE	NOT AVAILABLE		280T	1495
FIG. 5	FIG. 12		320T	1695
CW-DB	CCW-DB		360T	1920
FIG. 6	FIG. 13		400T	2315
CW-TAD	CCW-TAD		440T	2785
FIG. 7	FIG. 14	405	250T	1380
NOT AVAILABLE	NOT AVAILABLE		280T	1545
FIG. 5	FIG. 12		320T	1745
CW-DB	CCW-DB		360T	1970
FIG. 6	FIG. 13		400T	2365
CW-TAD	CCW-TAD		440T	2835



RB 401 250T
CW-TH SHOWN

