

FEATURES & SPECIFICATIONS

INTENDED USE

For aluminum or fiberglass poles.

CONSTRUCTION

Aluminum: Body is aluminum tube constructed from 6063-T6 alloy. Welding follows industry standards best practices. Bullhorns are heat-treated to T-6 temper after welding.

Finish must be specified. Optional polyester powder paint finishes available.

INSTALLATION

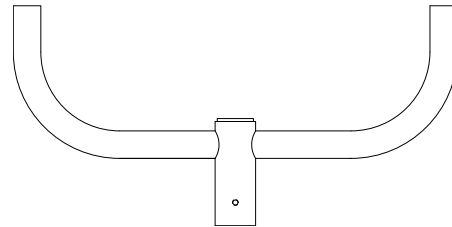
Mounting hardware included.

Catalog Number	
Notes	Type

Round Bullhorn

RBA

ALUMINUM (RBA) ROUND BULLHORN



(See next page for dimensions and drawings.)

ORDERING INFORMATION

Lead times will vary depending on options selected. Consult with your sales representative.

Example: RBA28 DDB

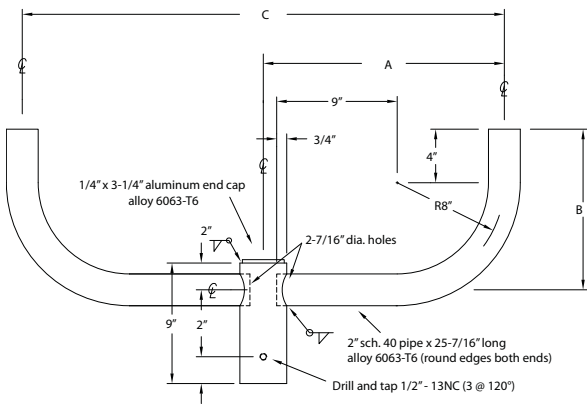
Series	Tenon slipfitter size ¹	Finish ²
RBA28 Two in line	(blank) 3-1/16" I.D.	<u>Standard colors</u> DDB Dark bronze DWH White DBL Black DMB Medium bronze DNA Natural aluminum SA Satin aluminum <u>Classic colors</u> DSS Sandstone DGC Charcoal gray DTG Tennis green DBR Bright red DSB Steel blue <u>Class 1 architectural anodized</u> ABL Black ADB Dark bronze ANA Natural aluminum <u>Architectural colors (powder finish)²</u>
RBA32 Three at 120°	T35 4-1/4" I.D.	
RBA38 Three in line		
RBA48 Four in line		
RBA49 Four at 90°		

NOTES:

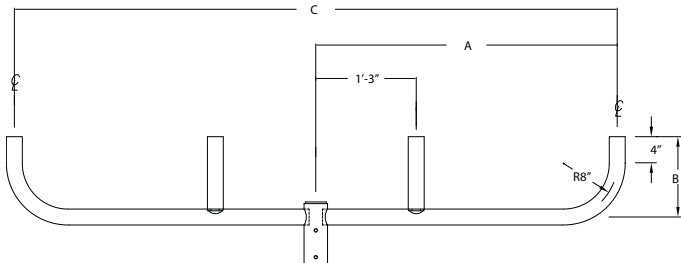
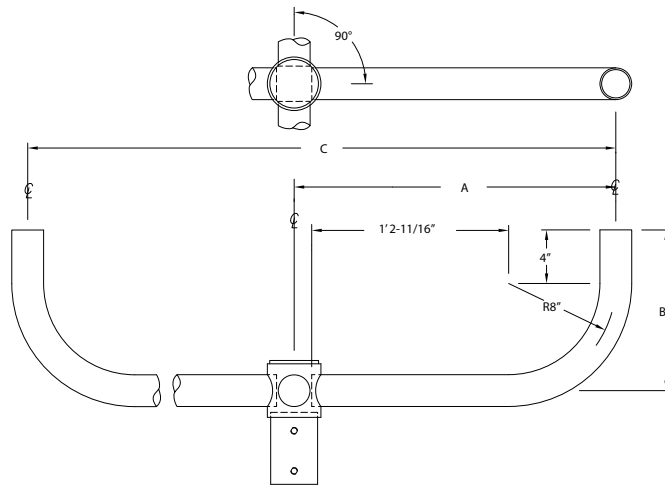
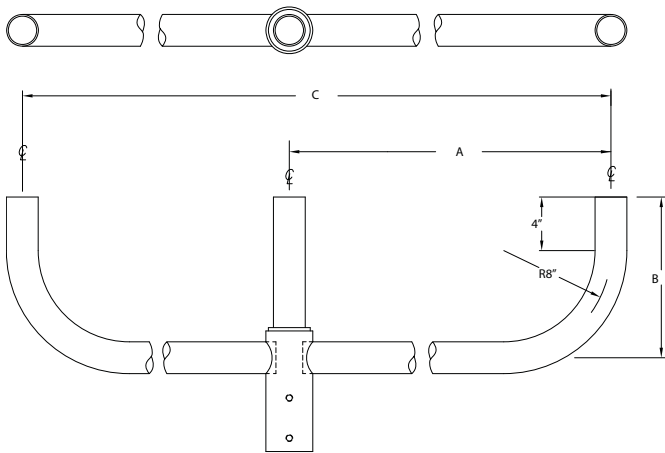
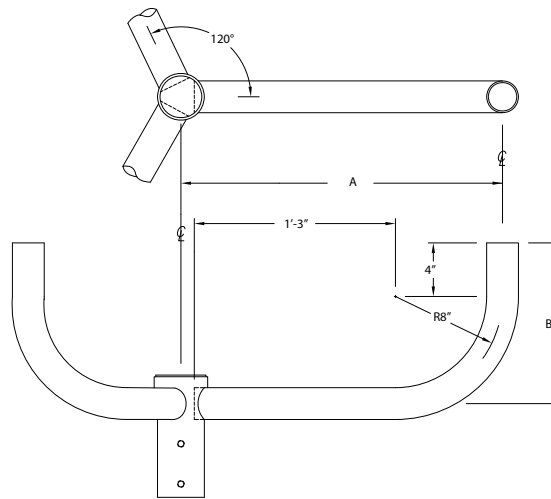
1 Custom sizes available; consult factory.

2 Finish must be specified. Additional colors available; see www.lithonia.com/archcolors or the Architectural Colors brochure (Form No. 794.3).

RBA Bullhorn Aluminum or Fiberglass Poles



Furnish: 1/2" - 13NC x 1/2" long stainless steel socket type, cup point set screws



IMPORTANT:

- These specifications are intended for general purposes only. Lithonia Lighting reserves the right to change material or design, without prior notice, in a continuing effort to upgrade its products.

CAUTION:

- The arms described herein are designed for applications in areas of normal winds. Consult the factory prior to the design of systems to be mounted on structures such as bridges or buildings, or areas known to have abnormal winds such as airports or coastal areas. Failure to consider these factors in the system design could result in the failure of the pole or mast arm, and consequently personal injury or property damage.

RBA (Round Bullhorn - Aluminum)

Lithonia Lighting Catalog Number	Nominal Arm Length (feet)	Dimensions (inches)			Bracket EPA (ft ²)	Bracket weight (lbs.)	Max. fixture EPA ft ² @ 100 mph w/1.3 gusts	Max. weight (lbs.) per fixture	ANSI C136.3 (1995) class rating @ 80 mph
		A	B	C					
RBA28	1-1/2	18	12	36	1.3	8.4	5.3	100	-
RBA32	2	24	12	42	1.7	14.3	4.8	100	-
RBA38	2-1/2	30	12	60	2.0	11.9	4.1	100	-
RBA48	4	45	12	90	2.8	16.2	2.0	75	-
RBA49	2	24	12	48	2.2	17.5	4.8	100	-



An AcuityBrands Company