

## FEATURES & SPECIFICATIONS

**INTENDED USE** — Round tapered aluminum roadway pole with upsweep mast arm(s) for up to 40 foot mounting heights including rise of arm.

**CONSTRUCTION** — Shaft: Shaft is spun tapered from seamless 6063 alloy aluminum tubing and heat-treated to a T6 temper. Circumferential satin-brushed finish. Round in cross-section down length of shaft and cone tapered to the base diameter.

**Arm:** Body of mounting arm is tapered aluminum alloy 6063-T6 tube with 2-3/8" OD (2" NPS) pipe size at luminaire end. The pole end of the arm is welded to an aluminum alloy 6063-T6 mounting plate.

**Mounting:** Arm mounting plate bolts to the shaft using stainless steel bolts, nuts and washers. A grommet is provided for the 1-1/4" diameter wiring hole between the pole shaft and the bracket arm.

**Anchor base:** Cast from A356 aluminum alloy and heat treated to T6 temper. Base plate and shaft are circumferentially welded top and bottom.

**Anchor bolts:** Fabricated from carbon steel bar with minimum-yield strength of 55,000 psi. Upper portion of anchor bolt is galvanized per ASTM A-153. Each anchor bolt is furnished with two hex nuts and two flat washers.

**Grounding:** Provision located inside hand hole rim. Grounding hardware is not included (provided by others).

**Hand hole:** A nominal 3" x 5" or 4" or 6" reinforced flush covered hand hole is centered 18" above the base

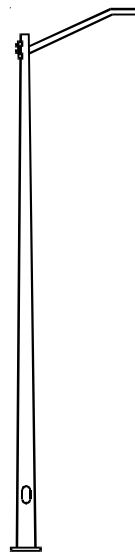
**Hardware:** Stainless steel

**Top cap:** Removable top cap provided.

**Bolt covers:** A356 bolt covers included with anchor base unless otherwise specified.

**Finish:** Must specify finish.

Catalog Number	
Notes	Type



### Anchor Base Poles / Mounting Arm Combo

# RTAU

### ROUND TAPERED ALUMINUM POLE WITH UPSWEEP MAST ARM

20' to 40' Fixture Mounting Height

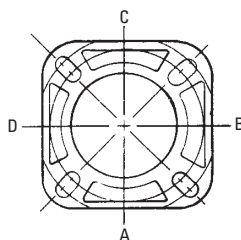
## ORDERING INFORMATION

Lead times will vary depending on options selected. Consult with your sales representative.

Example: RTAU 20 6G BMA US4 BA VD

RTAU						
Shaft/arm type	Nominal fixture mounting height	Mounting	Arm length <sup>3</sup>	Options	Finish <sup>4</sup>	
RTAU	20 – 40 feet (See back page.)	BMA Bolt on mast arm	US4 4' arm length US6 6' arm length US8 8' arm length	Shipped installed	Standard colors	
	Nominal shaft base size/wall thickness (See back page.)			L/AB Less anchor bolts FBC Full base cover VD Vibration damper TP Tamper proof H1-18Axx Horizontal arm bracket (1 fixture) <sup>1,2</sup> FDLxx Festoon outlet less electrical <sup>1</sup> CPL12xx 1/2" coupling <sup>1</sup> CPL34xx 3/4" coupling <sup>1</sup> CPL1xx 1" coupling <sup>1</sup> NPL12xx 1/2" threaded nipple <sup>1</sup> NPL34xx 3/4" threaded nipple <sup>1</sup> NPL1xx 1" threaded nipple <sup>1</sup> EHHxx Extra handhole <sup>1</sup>		DDB Dark bronze DWH White DBL Black DMB Medium bronze DNA Natural aluminum BA Brushed aluminum
					Classic colors	
					DSS Sandstone DGC Charcoal gray DTG Tennis green DBR Bright red DSB Steel blue	
					Class 1 architectural anodized	
					ABL Black ADB Dark bronze ANA Natural	
					Architectural colors (powder finish) <sup>4</sup>	

## HANDHOLE ORIENTATION



Arm is located on side B

### NOTES:

- Specify location and orientation when ordering option.  
For 1st "x": Specify the height in feet above base of pole.  
Example: 5ft = 5 and 20ft = 20  
For 2nd "x": Specify orientation from handhole (A,B,C,D)  
Refer to the Handhole Orientation diagram on this page.
- Horizontal arm is 18" x 2-3/8" O.D. tenon standard.
- Additional arm lengths and types available, some restrictions apply.
- Finish must be specified. Additional colors available; see [www.lithonia.com/archcolors](http://www.lithonia.com/archcolors) or Architectural Colors brochure (Form No. 794.3).

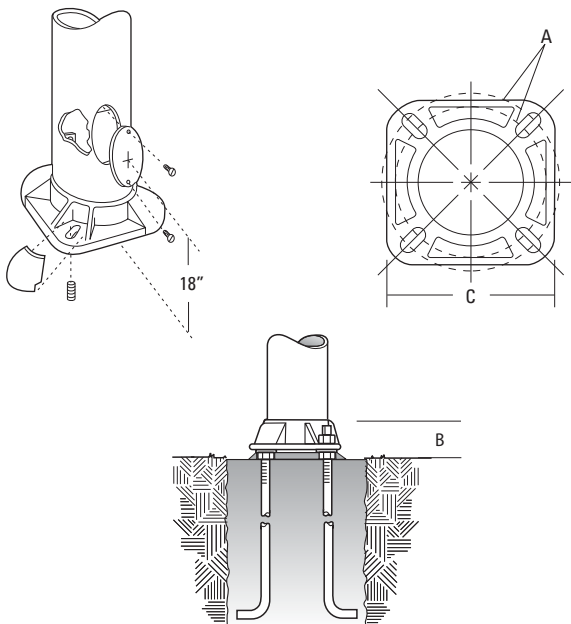
# RTAU Round Tapered Aluminum Poles with Mast Arm

## TECHNICAL INFORMATION

Catalog Number	Fixture mount ht. (ft) <sup>1</sup>	Mtg. arm length (feet)	Pole shaft diam. (in. x in.)	Wall thickness (in.)	EPA ft <sup>2</sup> with 1.3 gust	Max. Weight (lbs.)	Bolt circle (in.)	Bolt size (inches)	App. ship weight (pounds)
					100 mph				
RTAU 20 6E BMA US4	20'	4'	4.5" x 6"	0.156	2	65	9-10	.75 x 30 x 3	90
RTAU 20 6G BMA US6	20'	6'	4.5" x 6"	0.188	2	65	9-10	.75 x 30 x 3	100
RTAU 20 6G BMA US8	20'	8'	4.5" x 6"	0.188	1.74	65	9-10	.75 x 30 x 3	105
RTAU 25 7E BMA US4	25'	4'	4.5" x 7"	0.156	2	65	10-11	1 x 36 x 4	120
RTAU 25 7G BMA US6	25'	6'	4.5" x 7"	0.188	2	65	10-11	1 x 36 x 4	140
RTAU 25 8E BMA US8	25'	8'	4.5" x 8"	0.156	1.74	65	11-12	1 x 36 x 4	135
RTAU 30 8E BMA US4	30'	4'	4.5" x 8"	0.156	2	65	11-12	1 x 36 x 4	150
RTAU 30 8G BMA US6	30'	6'	4.5" x 8"	0.188	2	65	11-12	1 x 36 x 4	170
RTAU 30 8G BMA US8	30'	8'	4.5" x 8"	0.188	1.74	65	11-12	1 x 36 x 4	175
RTAU 35 8G BMA US4	35'	4'	4.5" x 8"	0.188	2	65	11-12	1 x 36 x 4	190
RTAU 35 8J BMA US6	35'	6'	4.5" x 8"	0.250	2	65	11-12	1 x 36 x 4	240
RTAU 35 8J BMA US8	35'	8'	4.5" x 8"	0.250	1.74	65	11-12	1 x 36 x 4	245
RTAU 40 8J BMA US4	40'	4'	4.5" x 8"	0.250	2	65	11-12	1 x 36 x 4	255
RTAU 40 8J BMA US6	40'	6'	4.5" x 8"	0.250	2	65	11-12	1 x 36 x 4	260
RTAU 40 10G BMA US8	40'	8'	6" x 10"	0.188	1.74	65	14-15	1 x 48 x 4	265

### NOTES:

- 1 Denotes fixture mounting height, NOT nominal pole height.



### POLE DATA

Shaft base size	Bolt circle A	Bolt projection B	Base square C	Template description	Anchor bolt description
6"	9" – 10"	4.75"	9.75"	ABTEMPLATEPJ50033	AB30-0
7"	10" – 11"	4.75"	10.5"	ABTEMPLATEPJ50034	AB36-0
8"	11" – 12"	4.25"	11.5"	ABTEMPLATEPJ50035	AB36-0
10"	14" – 15"	5.25"	14"	ABTEMPLATEPJ50481	AB481-0

### IMPORTANT:

- These specifications are intended for general purposes only. Lithonia reserves the right to change material or design, without prior notice, in a continuing effort to upgrade its products.

### IMPORTANT INSTALLATION NOTES:

- **Do not** erect poles without having fixtures installed.
- Factory-supplied templates must be used when setting anchor bolts. Lithonia Lighting will not accept claim for incorrect anchorage placement due to failure to use factory template.
- If poles are stored outside, all protective wrapping must be removed immediately upon delivery to prevent finish damage.
- Lithonia Lighting is not responsible for the foundation design.