

FEATURES & SPECIFICATIONS

INTENDED USE — Round tapered aluminum roadway pole with upsweep mast arm(s) for up to 40 foot mounting heights including rise of arm.

CONSTRUCTION — Shaft: Shaft is spun tapered from seamless 6063 alloy aluminum tubing and heat-treated to a T6 temper. Circumferential satin-brushed finish. Round in cross-section down length of shaft and cone tapered to the base diameter.

Arm: Body of mounting arm is tapered aluminum alloy 6063-T6 tube with 2-3/8" OD (2" NPS) pipe size at luminaire end. The pole end of the arm is welded to an aluminum alloy 6063-T6 mounting plate.

Mounting: Arm mounting plate bolts to the shaft using stainless steel bolts, nuts and washers. A grommet is provided for the 1-1/4" diameter wiring hole between the pole shaft and the bracket arm.

Anchor base: Cast from A356 aluminum alloy and heat treated to T6 temper. Base plate and shaft are circumferentially welded top and bottom.

Anchor bolts: Fabricated from carbon steel bar with minimum-yield strength of 55,000 psi. Upper portion of anchor bolt is galvanized per ASTM A-153. Each anchor bolt is furnished with two hex nuts and two flat washers.

Grounding: Provision located inside hand hole rim. Grounding hardware is not included (provided by others).

Hand hole: A nominal 3" x 5" or 4" or 6" reinforced flush covered hand hole is centered 18" above the base

Hardware: Stainless steel

Top cap: Removable top cap provided.

Bolt covers: A356 bolt covers included with anchor base unless otherwise specified.

FINISH — Must specify finish.

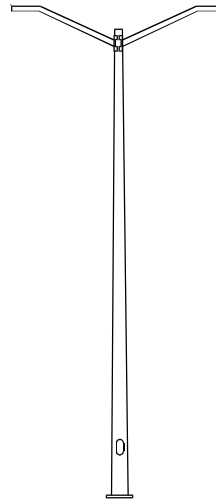
Catalog Number	
Notes	Type

Anchor Base Poles / Mounting Arm Combo

RTAU

ROUND TAPERED ALUMINUM POLE WITH TWIN UPSWEEP MASTS ARMS

20' to 40' Fixture Mounting Height



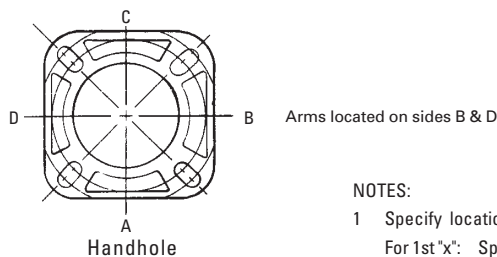
ORDERING INFORMATION

Lead times will vary depending on options selected. Consult with your sales representative.

Example: RTAU 20 6G BMA 2US4 BA VD

RTAU	Nominal fixture mounting height	Mounting	Arm length ⁴	Options	Finish ⁴
RTAU	20 – 40 feet (See back page.)	BMA Bolt on mast arm	2US4 4' arm length 2US6 6' arm length 2US8 8' arm length	Shipped installed L/AB Less anchor bolts FBC Full base cover VD Vibration damper TP Tamper proof H1-18Axx Horizontal arm bracket (1 fixture) ^{1,2} FDLxx Festoon outlet less electrical ¹ CPL12xx 1/2" coupling ¹ CPL34xx 3/4" coupling ¹ CPL1xx 1" coupling ¹ NPL12xx 1/2" threaded nipple ¹ NPL34xx 3/4" threaded nipple ¹ NPL1xx 1" threaded nipple ¹ EHHxx Extra handhole ¹	Standard colors DDB Dark bronze DWH White DBL Black DMB Medium bronze DNA Natural aluminum BA Brushed aluminum Classic colors DSS Sandstone DGC Charcoal gray DTG Tennis green DBR Bright red DSB Steel blue
	Nominal shaft base size/wall thickness (See back page.)				Class 1 architectural anodized ABL Black ADB Dark bronze ANA Natural Architectural colors (powder finish) ⁴

HANDHOLE ORIENTATION



NOTES:

- Specify location and orientation when ordering option.
For 1st "x": Specify the height in feet above base of pole.
Example: 5ft = 5 and 20ft = 20
For 2nd "x": Specify orientation from handhole (A,B,C,D)
Refer to the Handhole Orientation diagram on this page.
- Horizontal arm is 18" x 2-3/8" O.D. tenon standard.
- Additional arm lengths and types available, some restrictions apply.
- Finish must be specified. Additional colors available; see www.lithonia.com/archcolors or Architectural Colors brochure (Form No. 794.3).

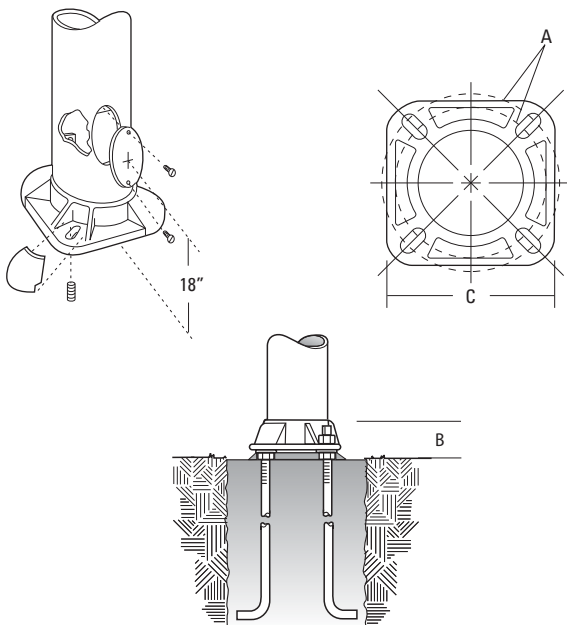
RTAU Round Tapered Aluminum Poles with Twin Mounting Arms

TECHNICAL INFORMATION

Catalog Number	Fixture mount ht. (ft) ¹	Mtg. arm length (ft.)	Pole shaft diam. (in. x in.)	Wall thickness (in.)	EPA ft ² with 1.3 gust	Max. Weight (lbs.)	Bolt circle (in.)	Bolt size (in.)	App. ship weight (lbs.)
					100 mph				
RTAU 20 6G BMA 2US4	20'	4'	4.5" x 6"	0.188	2	65	9-10	.75 x 30 x 3	105
RTAU 20 7E BMA 2US6	20'	6'	4.5" x 7"	0.156	2	65	10-11	1 x 36 x 4	120
RTAU 20 7G BMA 2US8	20'	8'	4.5" x 7"	0.188	1.74	65	10-11	1 x 36 x 4	140
RTAU 25 8E BMA 2US4	25'	4'	4.5" x 8"	0.156	2	65	11-12	1 x 36 x 4	140
RTAU 25 8E BMA 2US6	25'	6'	4.5" x 8"	0.156	2	65	11-12	1 x 36 x 4	145
RTAU 25 8G BMA 2US8	25'	8'	4.5" x 8"	0.188	1.74	65	11-12	1 x 36 x 4	170
RTAU 30 8G BMA 2US4	30'	4'	4.5" x 8"	0.188	2	65	11-12	1 x 36 x 4	175
RTAU 30 8J BMA 2US6	30'	6'	4.5" x 8"	0.250	2	65	11-12	1 x 36 x 4	215
RTAU 30 8J BMA 2US8	30'	8'	4.5" x 8"	0.250	1.74	65	11-12	1 x 36 x 4	220
RTAU 35 10G BMA 2US4	35'	4'	6" x 10"	0.188	2	65	14-15	1 x 48 x 4	270
RTAU 35 10G BMA 2US6	35'	6'	6" x 10"	0.188	2	65	14-15	1 x 48 x 4	280
RTAU 35 10J BMA 2US8	35'	8'	6" x 10"	0.250	1.74	65	14-15	1 x 48 x 4	350
RTAU 40 10L BMA 2US4	40'	4'	6" x 10"	0.219	2	65	14-15	1 x 48 x 4	320
RTAU 40 10L BMA 2US6	40'	6'	6" x 10"	0.219	2	65	14-15	1 x 48 x 4	325
RTAU 40 10J BMA 2US8	40'	8'	6" x 10"	0.250	1.74	65	14-15	1 x 48 x 4	365

NOTES:

1 Denotes fixture mounting height, NOT nominal pole height.



POLE DATA

Shaft base size	Bolt circle A	Bolt projection B	Base square C	Template description	Anchor bolt description
6"	9" - 10"	4.75"	9.75"	ABTEMPLATEPJ50033	AB30-0
7"	10" - 11"	4.75"	10.5"	ABTEMPLATEPJ50034	AB36-0
8"	11" - 12"	4.25"	11.5"	ABTEMPLATEPJ50035	AB36-0
10"	14" - 15"	5.25"	14"	ABTEMPLATEPJ50481	AB481-0

IMPORTANT:

• These specifications are intended for general purposes only. Lithonia reserves the right to change material or design, without prior notice, in a continuing effort to upgrade its products.

IMPORTANT INSTALLATION NOTES:

- **Do not** erect poles without having fixtures installed.
- Factory-supplied templates must be used when setting anchor bolts. Lithonia Lighting will not accept claim for incorrect anchorage placement due to failure to use factory template.
- If poles are stored outside, all protective wrapping must be removed immediately upon delivery to prevent finish damage.
- Lithonia Lighting is not responsible for the foundation design.