



Gotham Architectural Downlighting
LED Downlights

6" Evo®
A-Series LED, Open Wallwash

Solid-State Lighting

FEATURES

OPTICAL SYSTEM

- Self-flanged semi-specular, matte-diffuse or specular lower reflector
- Patented Bounding Ray™ optical design (U.S. Patent No. 5,800,050)
- 45° cutoff to source and source image
- Anodized kicker reflector

MECHANICAL SYSTEM

- 16-gauge galvanized steel construction; maximum 1-1/4" ceiling thickness
- Telescopic mounting bars maximum of 32" and minimum of 15", preinstalled, 4" vertical adjustment
- Toolless adjustments post installation
- Junction box capacity: 8 (4 in, 4 out) 12AWG rated for 90°C
- Light engine and driver accessible through aperture

ELECTRICAL SYSTEM

- Fully serviceable and upgradeable LED light engine
- 70% lumen maintenance at 50,000 hours based on IESNA LM-79-2008
- 120-277VAC, 50/60hz power supply with 0-10V dimming (10-100%); rated for 50,000-hour life
- Overload and short circuit protected

LISTINGS

- Fixtures are CSA certified to meet US and Canadian standards; wet location, covered ceiling

WARRANTY

- 5-year limited warranty. Complete warranty terms located at: www.acuitybrands.com/CustomerResources/Terms_and_conditions.aspx

ORDERING INFORMATION

EXAMPLE: ALEDW 35/10 6AR 120

Series	Color temperature	Nominal lumen values	Aperture/Trim color	Finish	Voltage	Driver
ALEDW	30/ 3000 K	10 1000 lumens	6AR Clear	(blank) Semi-specular	120	(blank) ² 0-10V dimming driver. Minimum dimming level 10% ECOS3^{2,3} Lutron Hi-Lume® dimming driver. Minimum dimming level 1%
	35/ 3500 K	14 1400 lumens	6PR Pewter	LD Matte diffuse	277	
	41/ 4100 K	18 1800 lumens	6WTR Wheat	LS Specular	347	
			6GR Gold		MVOLT	
			6WR¹ White			

Options

SF	Single fuse	TRBL	Black painted flange
LRC	Lithonia Reloc® system	ELR⁶	Emergency battery pack with remote test switch
NSD⁴	Sensor Switch nLight™ dimming relay	CP	Chicago plenum
TRW⁵	White painted flange		

ACCESSORIES order as separate catalog numbers (shipped separately)

CTA6 YKLED	Ceiling thickness adapter (extends mounting frame to accommodate ceiling thickness up to 2").
ISD BC	0-10V wallbox dimmer. Refer to ISD-BC .

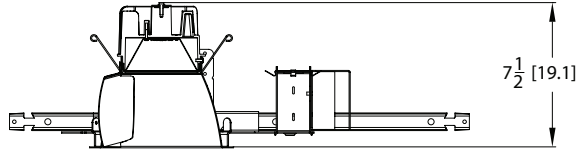
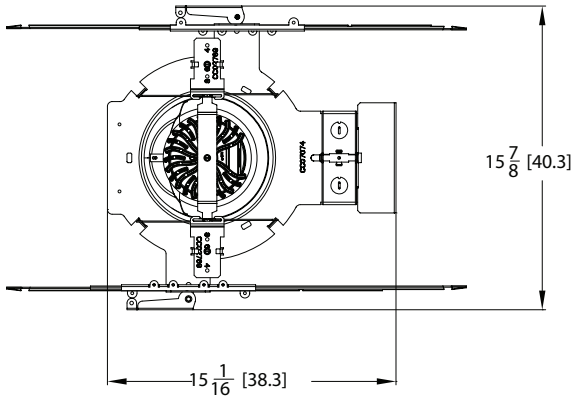
NOTES

ORDERING NOTES

1. Not available with finishes.
2. Refer to [TECH-240](#) for compatible dimmers.
3. CSA certified for US only.
4. One 5A relay with one 0-10 VDC dimming output, shipped installed. Requires additional nLight bus power supply (nPS80).
5. Not available with white reflector.
6. For dimensional changes, refer to [TECH-140](#).

DIMENSIONAL DATA

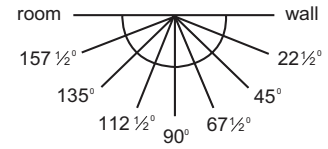
All dimensions are inches (centimeters) unless otherwise noted.



Aperture: 6-1/4 (15.9)
Ceiling Opening: 7-1/8 (18.1)
Overlap Trim: 7-3/4 (19.6)

TECHNICAL INFORMATION

Footcandle values are initial and tables are based on minimum of six units. For fixture-to-wall distance other than those shown, use maximum of one-to-one spacing (distance between fixtures not more than distance to wall) for best results.



Candlepower Data **Footcandle values**

ALEDW 35/10 6AR

INPUT WATTS: 18.0, DELIVERED LUMENS: 1062.3, LM/W=59.0, TEST NO. LTL21136

Vertical Angle	Plane angle			
	Wall	22.5	45	67.5 90
0	823	823	823	823
5	826	823	831	838
15	831	841	882	933
25	657	691	734	778
35	344	365	387	392
45	115	122	122	93
55	73	70	51	21
65	54	44	23	6
75	25	17	7	2
85	4	2	1	0
90	0	0	0	0

ft. from ceiling	Wallwash Illuminance Study (fc)								
	Luminaire mounted 3 ft. from wall			Luminaire mounted 3 ft. from wall			Luminaire mounted 3 ft. from wall		
	3 ft. between luminaires			4 ft. between luminaires			5 ft. between luminaires		
1	4	3	4	3	1	3	3	1	3
2	6	6	6	5	4	5	5	2	5
3	7	7	7	5	5	5	5	3	5
4	10	10	10	8	7	8	7	5	7
5	12	13	12	9	9	9	8	7	8
6	12	13	12	9	10	9	7	8	7
7	11	11	11	8	9	8	7	7	7
8	10	10	10	8	8	8	6	6	6
9	9	9	9	7	7	7	5	5	5
10	8	8	8	6	6	6	5	5	5

ALEDW 35/14 6AR

INPUT WATTS: 24.6, DELIVERED LUMENS: 1499.5, LM/W=61.0, TEST NO. LTL21130

Vertical Angle	Plane angle						
	Wall	22.5	45	67.5	90	112.5	135 157.5
0	1144	1144	1144	1144	1144	1144	1144
5	1056	1063	1091	1128	1165	1198	1220
15	885	932	1047	1196	1319	1391	1423
25	742	795	909	1027	1111	1151	1158
35	513	517	561	571	543	533	531
45	271	262	257	177	110	89	89
55	200	182	130	55	15	9	10
65	146	116	63	16	5	5	6
75	65	43	19	4	3	3	3
85	12	7	2	1	1	1	0
90	0	0	0	0	0	0	0

ft. from ceiling	Wallwash Illuminance Study (fc)								
	Luminaire mounted 3 ft. from wall			Luminaire mounted 3 ft. from wall			Luminaire mounted 3 ft. from wall		
	3 ft. between luminaires			4 ft. between luminaires			5 ft. between luminaires		
1	10	7	10	9	4	9	9	2	9
2	16	15	16	14	10	14	13	6	13
3	17	16	17	13	11	13	12	8	12
4	18	18	18	14	13	14	12	9	12
5	18	18	18	13	14	13	11	11	11
6	17	17	17	12	13	12	9	11	9
7	15	15	15	11	11	11	8	9	8
8	13	13	13	9	10	9	7	8	7
9	11	11	11	8	8	8	6	7	6
10	9	9	9	7	7	7	6	6	6

ALEDW 35/18 6AR

INPUT WATTS: 27.1, DELIVERED LUMENS: 1777.7, LM/W=65.6, TEST NO. LTL21148

Vertical Angle	Plane angle						
	Wall	22.5	45	67.5	90	112.5	135 157.5
0	1394	1394	1394	1394	1394	1394	1394
5	1293	1307	1342	1383	1425	1458	1480
15	1096	1155	1286	1443	1575	1661	1701
25	924	980	1096	1203	1275	1321	1348
35	638	635	666	650	619	610	624
45	340	335	303	202	126	105	108
55	251	222	147	59	19	13	12
65	162	123	64	19	6	5	6
75	60	41	18	5	3	3	3
85	8	5	2	1	1	1	1
90	0	0	0	0	0	0	0

ft. from ceiling	Wallwash Illuminance Study (fc)								
	Luminaire mounted 3 ft. from wall			Luminaire mounted 3 ft. from wall			Luminaire mounted 3 ft. from wall		
	3 ft. between luminaires			4 ft. between luminaires			5 ft. between luminaires		
1	10	7	10	9	4	9	9	2	9
2	19	18	19	17	11	17	16	7	16
3	20	20	20	16	14	16	14	10	14
4	22	21	22	17	16	17	15	11	15
5	22	22	22	16	17	16	14	13	14
6	20	20	20	15	16	15	12	13	12
7	18	18	18	13	14	13	10	11	10
8	15	15	15	11	12	11	9	10	9
9	13	13	13	10	10	10	8	8	8
10	11	11	11	8	9	8	7	7	7

PHOTOMETRY NOTES

- Tested in accordance with IESNA LM-79-08.
- Tested to current IES and NEMA standards under stabilized laboratory conditions.
- Actual performance may differ as a result of end-user environment and application.
- Actual wattage may differ by +/- 10% when operating between 120-277V +/- 10%.
- CRI: 83 typical.
- Consult factory or IES file for microgroove baffle, black cone or other photometric reports.