

DESCRIPTION

622 Arm Mount Luminous Cylinder features Three Accent Trim Bars.

Catalog #		Type
Project		
Comments		Date
Prepared by		

SPECIFICATION FEATURES

Material

Solid brass or aluminum housing and decorative trim. Matte white acrylic 4" dia. luminous cylinder.

Finish

Standard: Natural Aluminum (NA) [Sustainable Design].
 Premium: Gun Metal (GNM), Matte White (MW), Satin Chrome (SC), Polished Chrome (PC), Satin Brass (SB), Polished Brass (PB), Oxidized Brass (OBRs), Lacquered Satin Aluminum (SAL), Satin Copper (SCP), Polished Copper (PCP), Oxidized Copper (OCP), Satin Nickel (SN), Polished Nickel (PN), Clear Anodized Aluminum (CAL) or Custom Color (CC).

Optics

Refer to www.shaperlighting.com for complete photometrics.

Ballast

Integral electronic HPF, multi-volt 120/277V (347V Canada), thermally protected with end-of-life circuitry to accommodate the specified lamp wattage.

Lamp/Socket

One (1) 18W (G24q-2) or 26W (G24q-3) 4-pin quad CFL lamp or one (1) 40WT-10 lamp. CFL socket injection molded plastic. INC socket fired ceramic rated for 660W-250V. Lamps furnished by others.

Installation

Supplied with a universal circular strap for a standard 4" J-box or plaster ring. Shaper luminaires are designed for interior installations only.

Options

Hand Painted Alabaster Faux Cylinder (FC), Hand Painted Faux Linen (LNC), Dimming Ballast: Advance Mark 7 (DMA7), Mark 10 (DMA10) or Lutron (DML), Remote Emergency Ballast - Supplied by others (REM), Damp Location (DL): All Painted Finishes or Clear Anodized Aluminum (CAL) finish only. Energy Star Rating - contact factory. MRI Applications (INC only) - Contact factory.

Labels

U.L. and C.U.L approved for indoor and damp location. See options for damp location finishing requirements. Shaper's DL option is for interior applications (only) that have more than average moisture (i.e. bathroom, laundry room, etc.) but are not UL listed for pool, sauna, shower, whirlpool and any exterior applications (i.e. covered garage or building entrance) with exposure to weather elements such as rain, wind, etc.

Modifications

Shaper's skilled craftspeople with their depth of experience offer the designer the flexibility to modify standard wall luminaires for project specific solutions. Contact the factory regarding scale options, unique finishes, mounting, additional materials/colors, or decorative detailing.



622 SERIES

Interior Wall Luminaire Starter Collection Arm Mount Luminous Cylinder



ORDERING INFORMATION

Sample Number: 622-CFL/1/18-277V-PCP

--	--	--	--	--

<p>Series 622 = Arm Mount Luminous Cylinder</p>	<p>Lamp CFL/1/18 CFL/1/26 INC/1/40</p>	<p>Voltage 120V 277V ¹ 347V ¹</p>	<p>Finish <u>Standard</u> NA=Natural Aluminum <u>Premium</u> CAL=Clear Anodized Aluminum CC=Custom Color GNM=Gun Metal MW=Matte White OBRs=Oxidized Brass OCP=Oxidized Cooper PB=Polished Brass PC=Polished Chrome PCP=Polished Copper PN=Polished Nickel SAL=Lacquered Satin Aluminum SB=Satin Brass SC=Satin Chrome SCP=Satin Copper SN=Satin Nickel</p>	<p>Options DL=Damp Location ² DMA7=Dimming Ballast (Advance Mark 7) ¹ DMA10=Dimming Ballast (Advance Mark 10) ¹ DML=Dimming Ballast (Lutron) ¹ REM=Remote Emergency Ballast ³ FC=Hand Painted Faux Alabaster Cylinder LNC=Hand Painted Faux Linen Cylinder</p>
--	---	--	---	--

Notes:

- ¹ Available with CFL only.
- ² Interior applications only.
- ³ Supplied by others.

STARTER COLLECTION

Shaper's exclusive Starter Collection fixtures are featured throughout the Shaper product line. The concept of offering highly styled, affordable fixtures was introduced over fourteen years ago and has become one of our fastest growing lines. The design premise, basic construction, clean lines and unadorned shapes are highly desirable in modern architectural environments.

SUSTAINABLE DESIGN

Shaper has a long-standing history of offering environmentally-friendly fixtures. The copper and bronze alloys used in our exterior luminaires feature up to 98% recycled content, contribute less undesirable air emissions compared to painted aluminum and are easy to recycle.

MAGNETIC RESONANCE IMAGING (MRI)

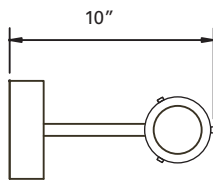
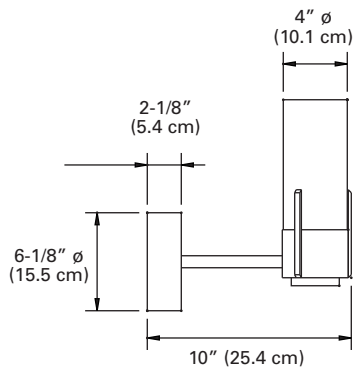
Lighting fixtures for MRI facilities are specialized and unique, requiring non-ferrous construction. Fluorescent fixtures cannot be used due to the ferrous parts in ballasts and lampholders. Modified incandescent fixtures meet the requirements.

ENERGY STAR

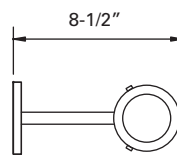
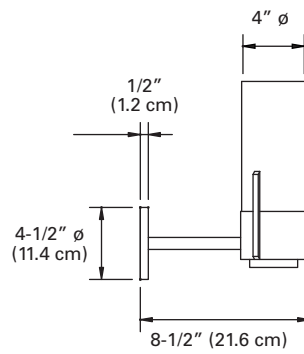
Shaper now offers a wide variety of fixtures that can be provided with an Energy Star Rating.

Refer to the Icon Legend Link on shaperlighting.com.

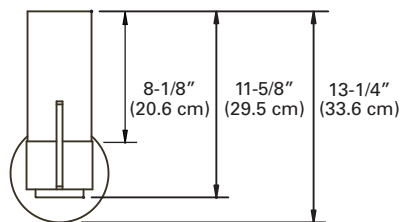
DIMENSIONS



622 CFL



622 INC



COMPANION PRODUCTS



422