



## Installation, Operating and Servicing Instructions

Silverlink 600 Electric Fryers  
DF33, DF36, DF39, DF46, DF49, DF66,  
DF66/ST, DF612, DF618, J6, J12, J9, J18

Please make a note of your product details for  
future use:

Date Purchased: \_\_\_\_\_

Model Number: \_\_\_\_\_

Serial Number: \_\_\_\_\_

Dealer: \_\_\_\_\_

\_\_\_\_\_

**SILVERLINK 600**

# CONTENTS

Important Information	2
Warnings and Precautions	3
Technical Data	3
Checklist of Enclosures	4
Installation and Commissioning	4-6
Operating Instructions	7-9
Cleaning	9
Servicing, Maintenance and Component Replacement	9
Fault Finding	9
Spare Parts List	10
Accessories	10
Service Information and Guarantee	11

## IMPORTANT INFORMATION

---



Read these instructions carefully before using this product, paying particular attention to all sections that carry warning symbols, caution symbols and notices. Ensure that these are understood at all times.

---



### **WARNING!**

This symbol is used whenever there is a risk of personal injury.

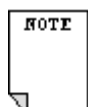
---



### **CAUTION!**

This symbol is used whenever there is a risk of damaging your Lincat product.

---



### **NOTE:**

This symbol is used to provide additional information, hints and tips.

---

**KEEP THIS MANUAL FOR FUTURE REFERENCE**

## WARNINGS AND PRECAUTIONS



This appliance must be installed, commissioned and serviced by a qualified person in accordance with national and local regulations in force in the country of installation.

If the supply cord is damaged, it must be replaced by the manufacturer, its service agent or similarly qualified person.

Ensure that the plug/socket is accessible at all times.

Strip plastic coating and clean the appliance before use.

During operation parts may become hot - avoid accidental contact.

Disconnect this appliance before servicing, maintenance or cleaning.

Do not move this appliance when the tank contains oil.

## TECHNICAL DATA

Model	Height (mm)	Width (mm)	Depth (mm)	Weight (kg)
DF33	335	300	600	13
DF36		300		14
DF39		300		15
DF46		450		19
DF49		450		19
DF66		600		24
DF66/ST		600		22
DF612		600		25
DF618		600		27
J6		980		300
J9	300		26	
J12	600		43	
J18	600		44	

## CHECK LIST OF ENCLOSURES

Warranty card
Instructions manual
Baskets
Lid knob
Drain tube
Element lifting hook
Oil drainage bucket (J models)
Sieve (J models)
Feet (J models)
Stability Bracket (J6, J9)

## INSTALLATION AND COMMISSIONING

This appliance must be earthed.



An equipotential bonding terminal is provided to allow cross bonding with other equipment.

If replacing the plug connect the terminals as follows:

Green and Yellow wire	Earth	E
Blue wire	Neutral	N
Brown wire	Live	L

Means of isolation with at least 3mm contact separation in all poles must be incorporated into the fixed wiring of this appliance.

The fixed wiring insulation must be protected by insulated sleeving having a temperature rating of at least 60 Deg C.

Supply cords shall be oil resistant, sheathed flexible cable not lighter than ordinary polychloroprene or equivalent elastomer sheathed cord (code 60245 IEC 57)

Install this appliance on a level surface ensuring all vents are unobstructed. Any partitions, walls or furniture must be of non-combustible material. Minimum distances A 100mm B 1000mm – see Fig 1.

Operate this appliance beneath an extraction canopy.

Models up to 3kW are fitted with a plug and lead. Models over 3kW must be installed by a qualified electrician

It is essential that the stability kit provided is used with J6 and J9 fryers. Bolt the base plate to the floor, attach the stability bracket and push the fryer into position,

ensuring that the wings on the bracket locate into the slots at the base of the fryer back.

### Power Ratings

Model	Power (kW)	Supply 1N~+E(A) 230V	Supply 3N~+E (A) 400V
DF33	3.0	13.0	N/A
DF36	6.0	26.0	L1 13 L2 13 L3 N/A
DF39	9.0	39.0	L1 13 L2 13 L3 13
DF46	6.0	26.0	L1 13 I2 13 I3 N/A
DF49	9.0	39.0	L1 13 L2 13 L3 13
DF66	6.0	2 x 13.0	N/A
DF66/ST	6.0	26.0	L1 13 L2 13 L3 N/A
DF612	12.0	2 x 26.0	L1 13 L2 13 L3 N/A
DF618	18.0	2 x 39.0	L1 13 L2 13 L3 13
J6	6.0	26.0	L1 13 L2 13 L3 N/A
J9	9.0	39.0	L1 13 L2 13 L3 13
J12	12.0	2 x 26.0	2 x L1 13 2xL2 13 2xL3 N/A
J18	18.0	2 x 39.0	2 x L1 13 2xL2 13 2xL3 13

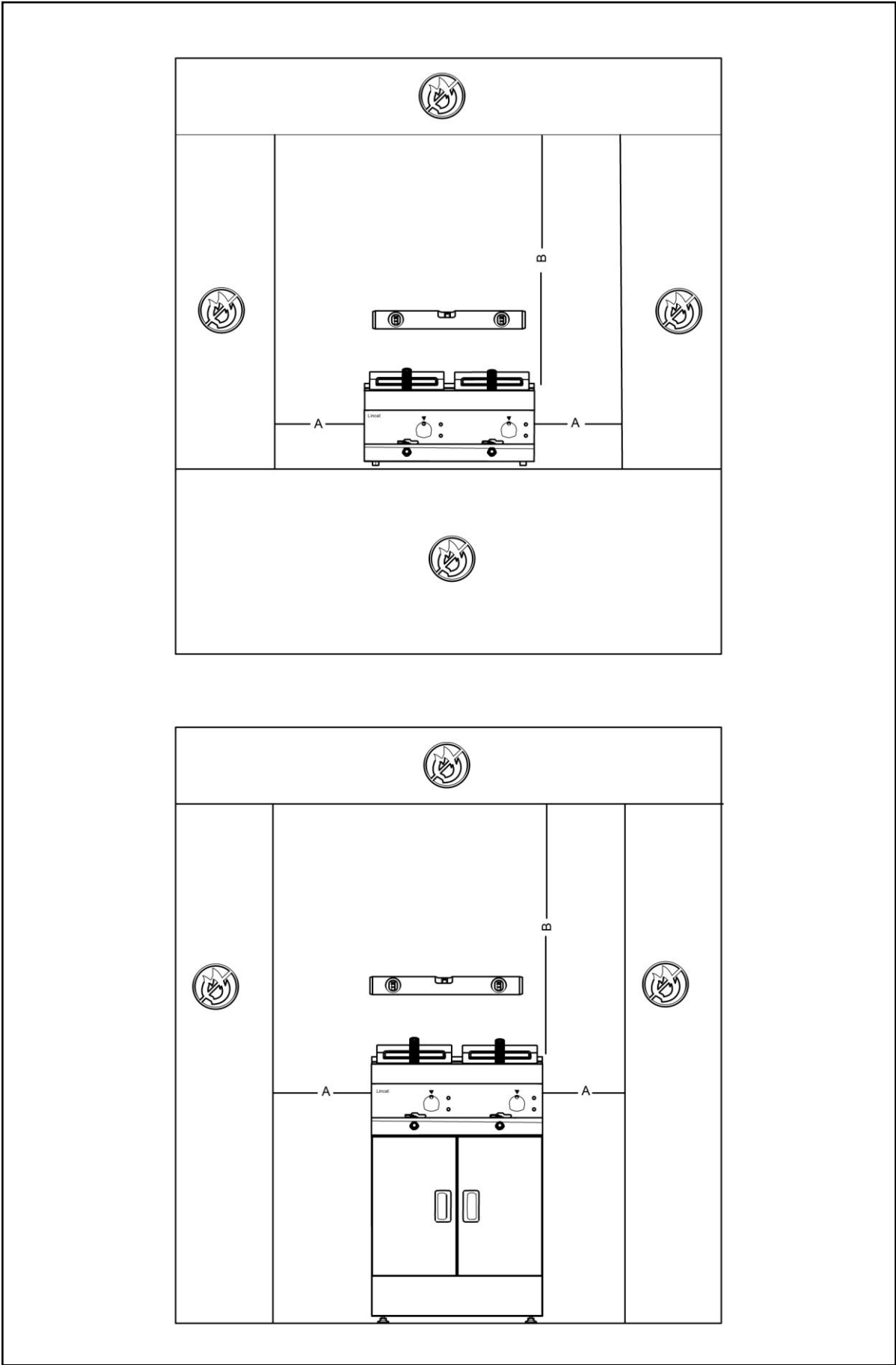


Fig 1

## OPERATING INSTRUCTIONS

Only qualified or trained personnel should use this appliance.

Always drain food before frying. Never allow water into the oil.

Before first use, clean the tank. Remove the batter plate from the tank by swivelling up from the front until the plate can be disengaged at the back and lifted clear (Fig 2).

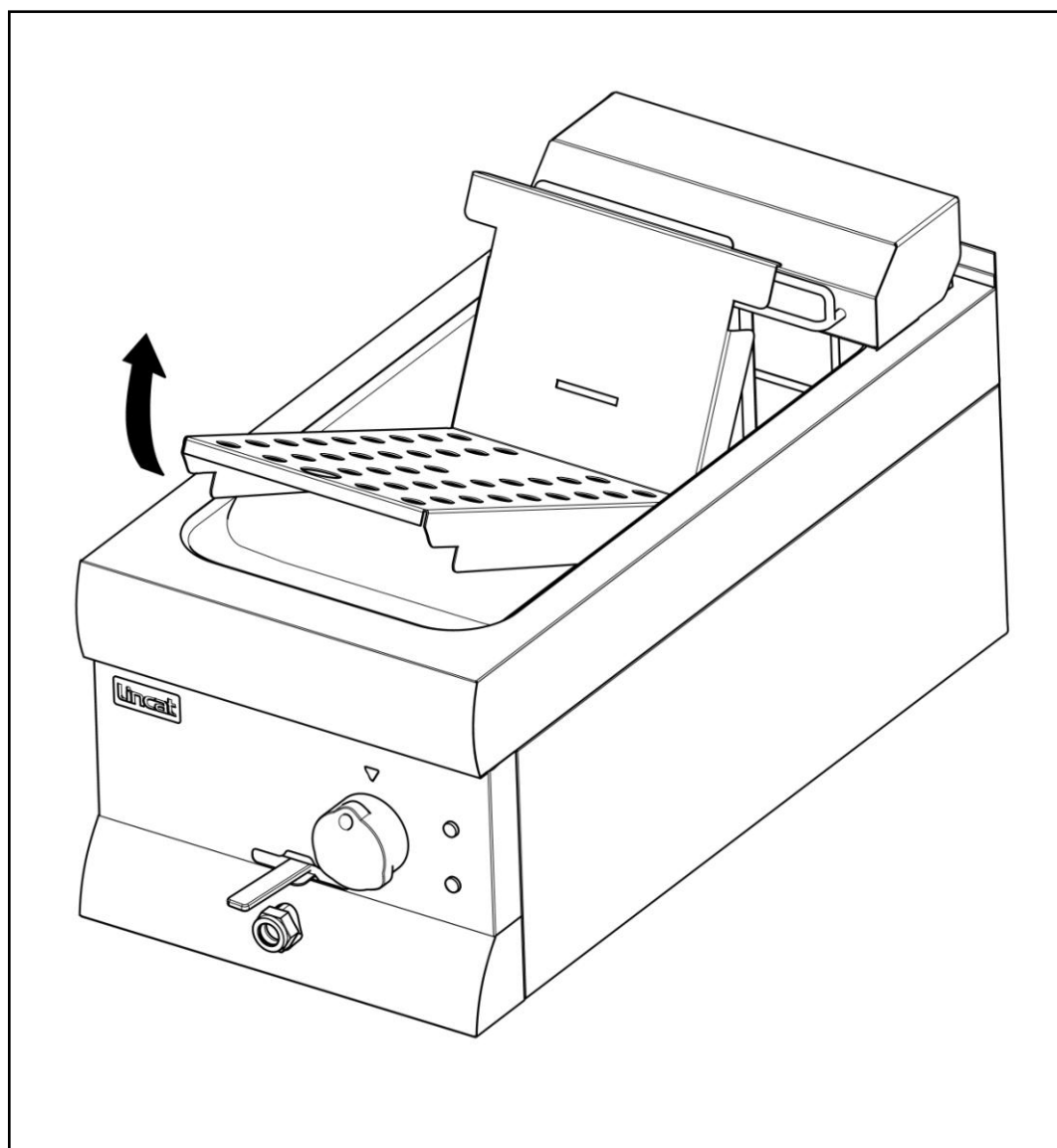


Fig 2

Lift the elements up and back Fig 3 (A) until the stay engages behind the bracket (B).

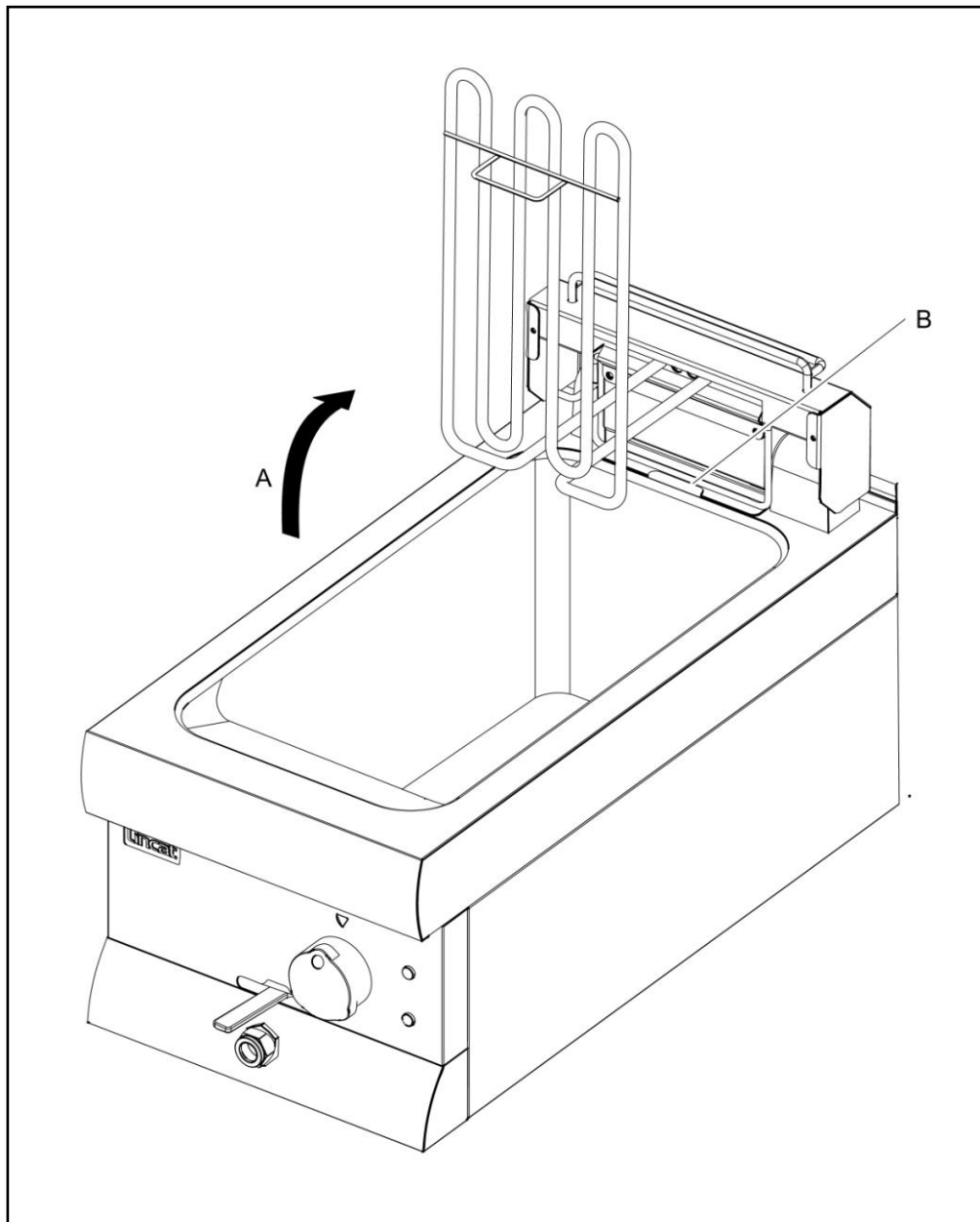


Fig 3

Clean the tank with warm water and mild detergent. Dry thoroughly.

Re-position the element by gently pushing it back, lift and disengaging the stay then lower the element back into place. Replace the batter plate, ensuring the tab locates behind lifting box cover.

Check the drain valve is closed (lever fully left) before adding clean oil up to the mark on the batter plate.

Connect the appliance to the electricity supply – the green neon illuminates to indicate power to the fryer.

Turn the control knob to the desired setting. The amber neon illuminates.



The amber neon will extinguish when the set temperature is reached, and then operates with the cycling of the element.

Always maintain the oil level up to the indicator line on the batter plate. Do not overfill.

This appliance is fitted with a safety thermostat to cut off the power in the event of a fault. If the green neon illuminates but the elements do not heat, reset the safety thermostat by pressing the red button on the rear panel. The fryer must be cool before the safety thermostat can be reset.

After use, allow the oil to cool before fitting the drain pipe to the valve and draining the tank.

## CLEANING



Do not use a water jet or steam cleaner, and do not immerse this appliance.

Clean all panels with warm water and mild detergent, do not use abrasive materials. Dry with a soft cloth.

To clean the tank, raise the element as detailed in Operating instructions. The lifting hook can be used to lift the element from the oil before draining.

A proprietary cleaner such as 'Carb'nOff' may be used.

## SERVICING, MAINTENANCE AND COMPONENT REPLACEMENT

All servicing, maintenance and component replacement on these appliances should be carried out by one of our recommended service engineers.

## FAULT FINDING

Please refer to the Service Help Desk number on the final page of this manual.

## SPARE PARTS LIST

Part Number	Description	Used on
BA91	Basket	All excluding DF66/ST
BA113	Basket	DF66/ST
CO215	Contactora	All models over 3kW
CO45	Blanking off nut	All
DS24	Drain tap	All
EL257	Element	DF39, DF618, J9, J18
EL264	Element	DF33, DF66
EL265	Element	DF36, DF612, J6, J12
EL266	Element	DF46
EL267	Element	DF49
EL268	Element	DF66/ST
FE10	Foot - cabinet	J models
FE37	Foot	All
GA53	Gasket – RH casting	All
GA54	Gasket – LH casting	All
GA57	Gasket – top box	All
GR02	Cone grommet – capillary	All
HA73	Door handle	J models
HI24	Hinge	J models
HI25	Hinge plate	J models
HO114	Element lifting hook	All
KN10	Lid knob	All
KN183	Control knob	All
NE42	Amber neon	All
NE43	Green neon	All
PL202	Mains cable	DF33, DF66
SG02	Sleeved grommet – wiring box	All
ST10	Strainer	J models
SW64	Microswitch	All
TA28	Bucket	J models
TE45	Terminal block	All models over 3kW
TH61	Safety thermostat	All
TH69	Control thermostat	All
WS01	Wire stay	All

## ACCESSORIES

Part Number	Description	Used on
BA96	Half size basket	All
DC02	Doughnut conversion kit	All excluding DF46, DF49
DC03	Doughnut conversion kit	DF46, DF49
DCD01	Doughnut dispenser	All

## SERVICE INFORMATION

For help with the installation, maintenance and use of your **Lincat** equipment, please contact our service department:

**☎ UK: 01522 875520**

For non-UK customers, please contact your local Lincat dealer

All service work, other than routine cleaning should be carried out by one of our authorised service agents. We cannot accept responsibility for work carried out by other persons.

To ensure your service enquiry is handled as efficiently as possible, please tell us:

- Brief details of the problem
  - Product code
  - Type number
  - Serial number
- } All available on serial plate

Lincat reserve the right to carry out any work under warranty, given reasonable access to the appliance, during normal working hours, Monday to Friday, 08:30 to 17:00.

### GUARANTEE

This unit carries a comprehensive UK mainland 2 year warranty. The guarantee is in addition to, and does not diminish your statutory or legal rights.

The guarantee does not cover:

- Accidental damage, misuse or use not in accordance with the manufacturer's instructions
- Consumable items (such as filters, glass, bulbs, slot toaster elements and door seals.)
- Damage due to incorrect installation, modification, unauthorised service work or damage due to scale, food debris build-up, etc.

The manufacturer disclaims any liability for incidental, or consequential damages. Attendance is based on reasonable access to the appliance to allow the authorised technician to carry out the warranty work.

Service calls to equipment under warranty will be carried out in accordance with the conditions of sale. Unless otherwise specified, a maximum of 15 minutes of administrative time, not spent directly carrying out servicing work, is provided for within the warranty. Any requirement for staff attending the call to spend greater time than 15 minutes due to administrative requirements, such as on health and safety risk assessments, will be chargeable at the prevailing rate.