

FREEMAN

13101 Almeda Rd.
Houston, Texas 77045
Ph: 713-433-2400 • Fax: 469-621-5613
FreemanHoustonES@freemanco.com

**ONLINE PRICE
DISCOUNT PRICE
DEADLINE DATE
OCTOBER 07, 2014**

**INCLUDE THE FREEMAN METHOD OF
PAYMENT FORM WITH YOUR ORDER**

NAME OF SHOW: PIPELINE WEEK / OCTOBER 28-30, 2014

COMPANY NAME _____ BOOTH #: _____

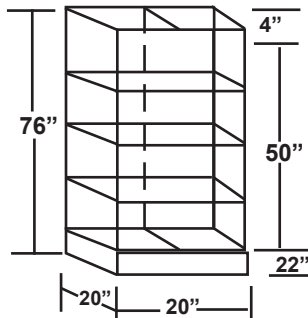
CONTACT NAME: _____ PHONE #: _____

E-MAIL ADDRESS _____

For Assistance, please call 713-433-2400 to speak with one of our experts.

For fast, easy ordering, go to www.freemanco.com/store

ACCESSORIES



Glass Tower Showcase - 1010200

Comes with two doors that lock and three glass shelves.

1. Lessee will be responsible for any damages to display fixtures during the event.
2. There will be a replacement charge of \$10.00 on all lost keys.
3. Electrical hookup must be ordered through the Electrical order form included in your service manual.

Straight Hook - 10201



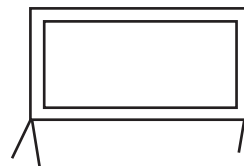
"J" Hook-10206



Single Hook - 10203

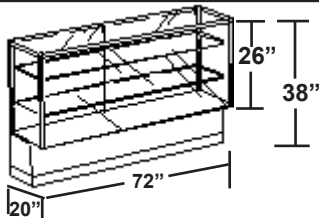


Double Hook - 10204



10201484 - Bulletin Board

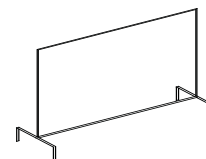
4' x 8' Horizontal
All boards are gray velcro and double sided.



101063 - 6'

STYLE #A FULL VISION CASE, includes 1-8" and 1-10" glass shelves with adjustable brackets, 26" high front glass display section. 6' Showcase comes with light fixture and locks.

15905 - Fish Bowl



10405 - Garment Rack

SHOWCASES

		Online Price	Discount Price	Standard Price
_____	101063 Full Vision Case - 6'.....	412.00	453.20	576.80
_____	1010200 Glass Tower Case	463.50	509.85	648.90

MISCELLANEOUS

		Online Price	Discount Price	Standard Price
_____	10405 Garment Rack	100.95	111.05	141.35
_____	15905 Fish Bowl.....	22.50	24.75	31.50
_____	10201 2" Straight Hook (each).....	.30	.35	.40
_____	10206 "J" Loop Hook (each).....	.30	.35	.40
_____	10203 6" Single Hook (each).....	.30	.35	.40
_____	10204 6" Double Hook (each).....	1.70	1.85	2.40
_____	10201484 Bulletin Board.....	182.00	200.20	254.80

Sub-Total _____ + Tax (8.25%) _____ = TOTAL _____

FREEMAN accessories

Take advantage of the Online price by ordering at www.freemanco.com/store before OCTOBER 07, 2014