

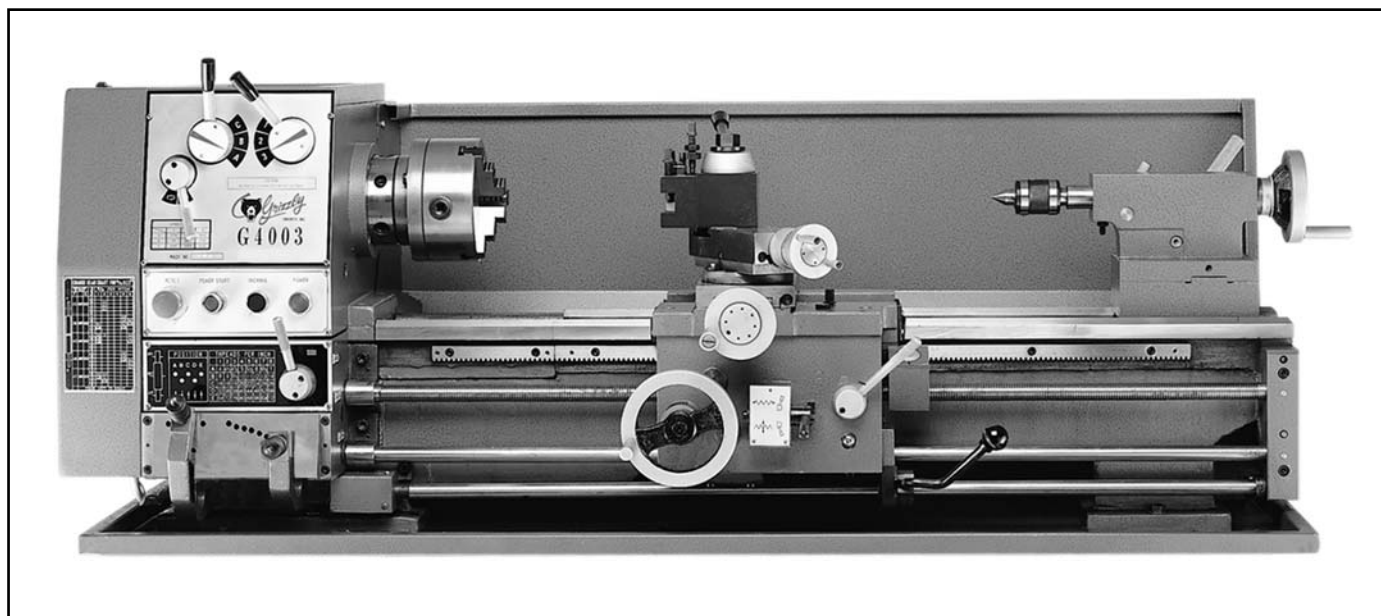
**Grizzly**  
**Industrial, Inc.**®



# GEAR HEAD METAL LATHE

## MODEL G4002 / G4003

### PARTS LIST



COPYRIGHT © 2000 BY GRIZZLY INDUSTRIAL, INC.

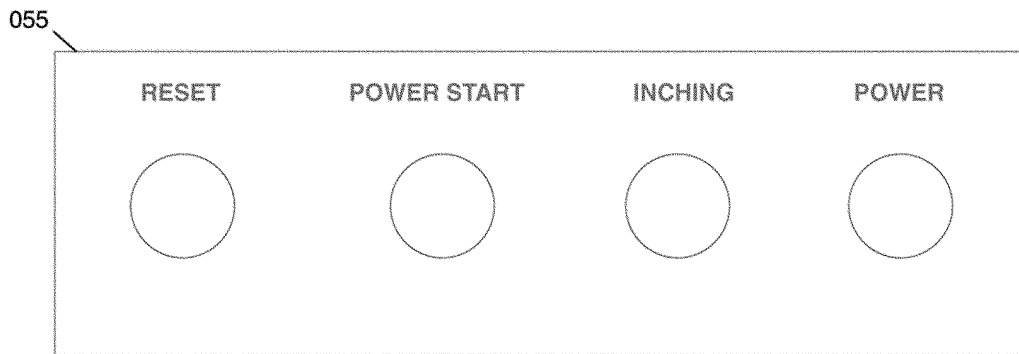
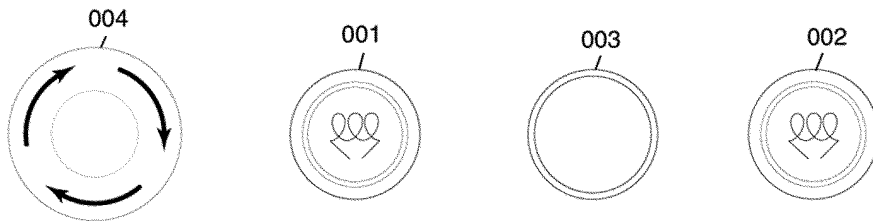
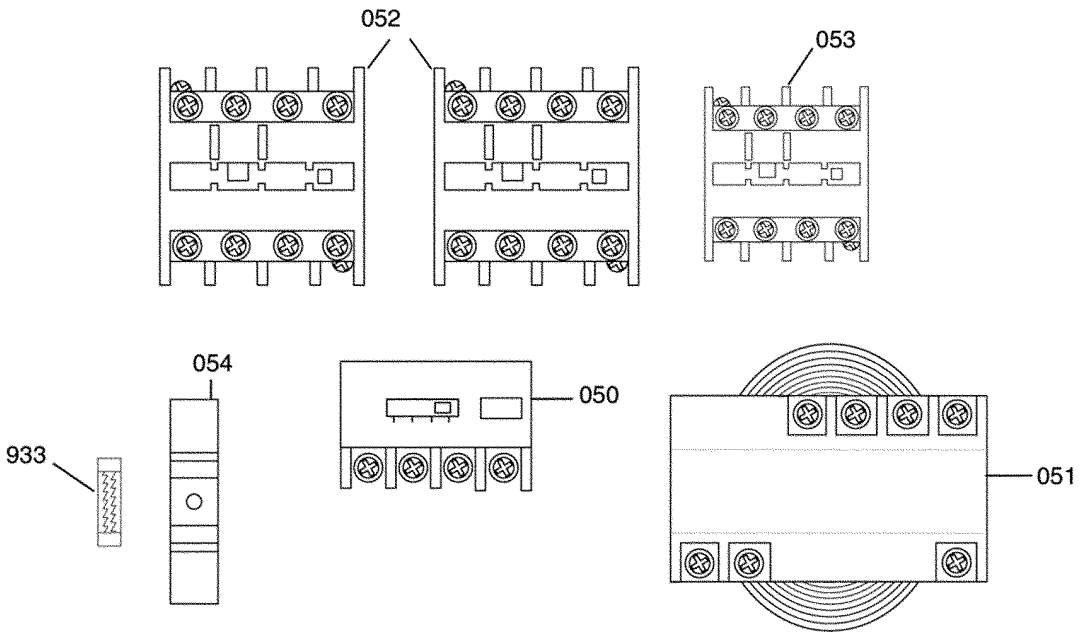
**WARNING: NO PORTION OF THIS MANUAL MAY BE REPRODUCED IN ANY SHAPE  
OR FORM WITHOUT THE WRITTEN APPROVAL OF GRIZZLY INDUSTRIAL, INC.**

REVISED JANUARY, 2000 PRINTED IN CHINA

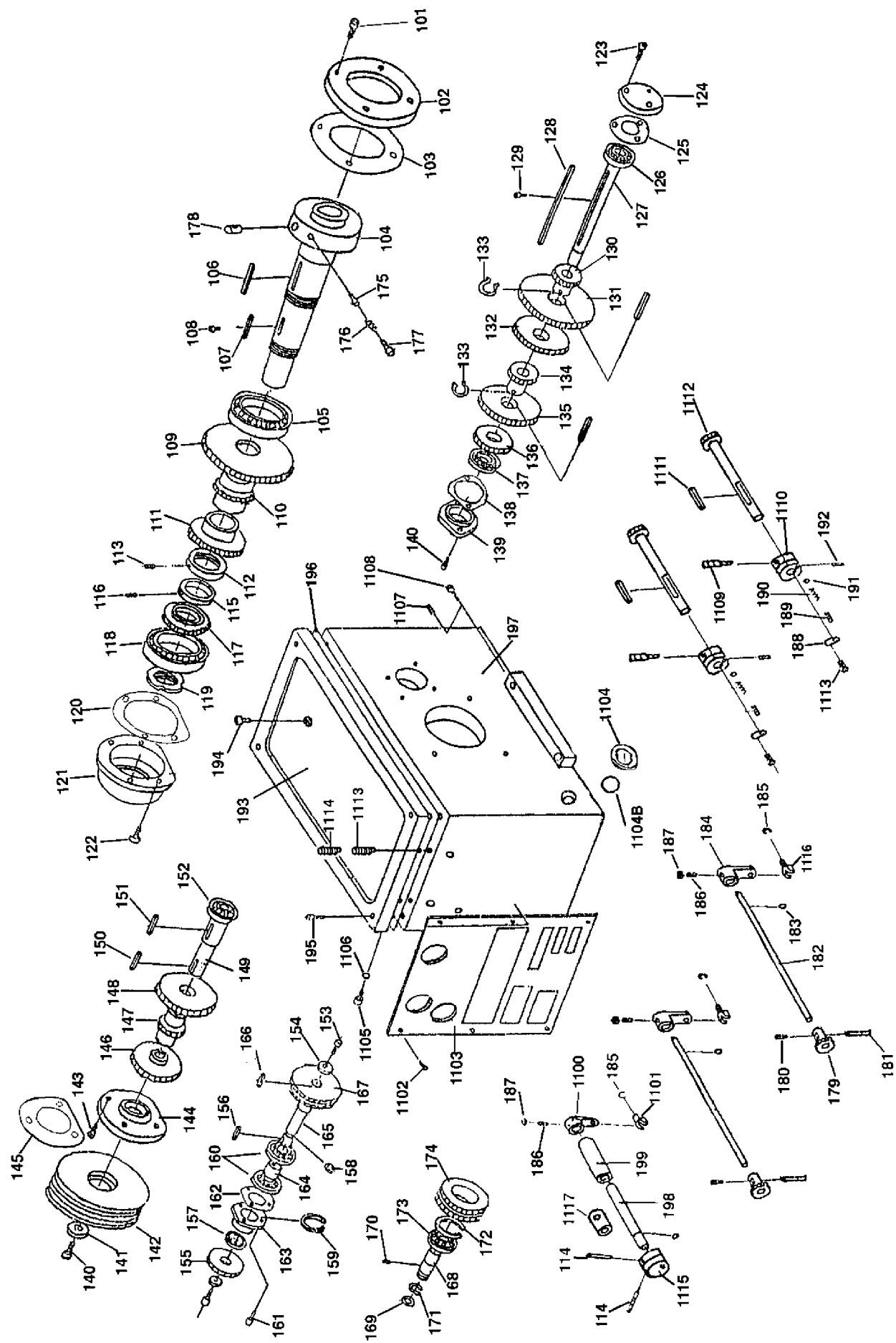
#### **PARTS LIST DISCLAIMER**

THIS PARTS LIST AND DRAWINGS REPRESENT THE CONFIGURATION OF THE MACHINE AS IT IS CURRENTLY BEING SHIPPED. THE MACHINE CONFIGURATION CAN CHANGE AS PRODUCT IMPROVEMENTS ARE INCORPORATED. IF YOU OWN AN EARLIER VERSION OF THE MACHINE, THIS PARTS LIST MAY NOT DEPICT YOUR MACHINE EXACTLY. CONTACT CUSTOMER SERVICE IF YOU HAVE ANY QUESTIONS ABOUT PART DIFFERENCES. PREVIOUS PARTS LIST VERSIONS ARE NOT AVAILABLE ONLINE.

# Electrical Components



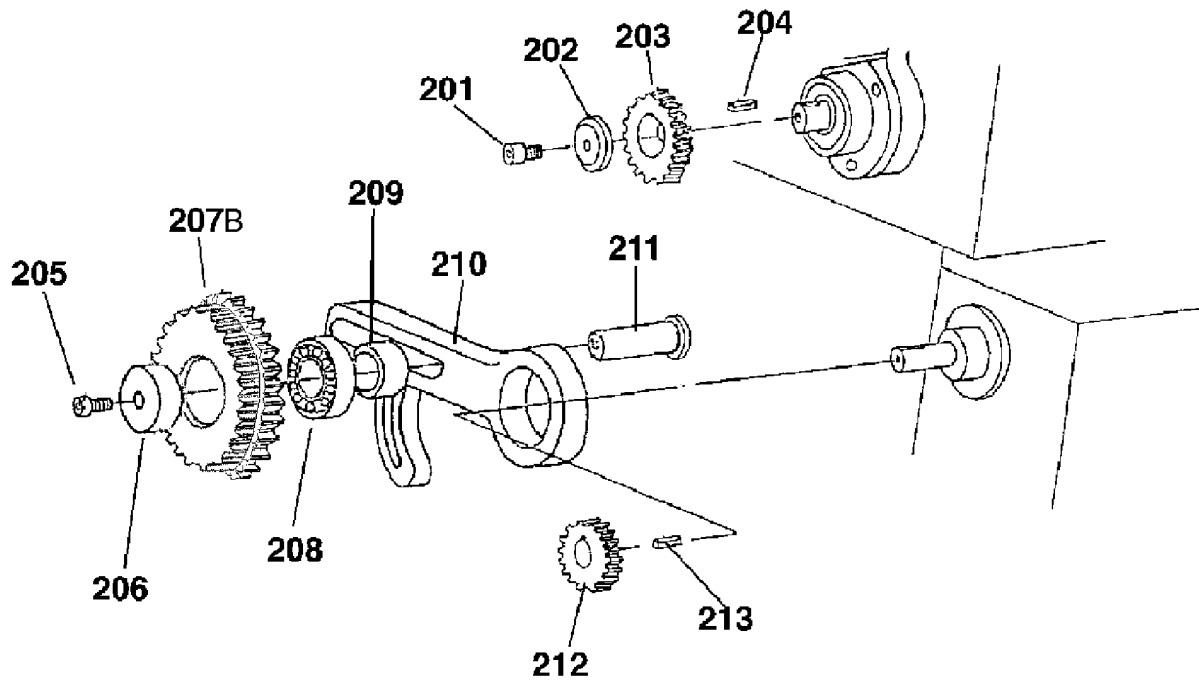
REF	PART #	DESCRIPTION
001	P4002001	START BUTTON
002	P4002002	INDICATOR LIGHT
003	P4002003	JOG BUTTON
004	P4002004	RESET BUTTON
050	P4002050	THERMAL PROT. BLOCK
051	P4002051	TRANSFORMER
052	P4002052	MAGNETIC CONTACTOR
053	P4002053	MAGNETIC CONTACTOR
054	P4002054	FUSE HOLDER
055	P4002055	CONTROL PANEL PLATE
933	P4002933	FUSE 2 AMP



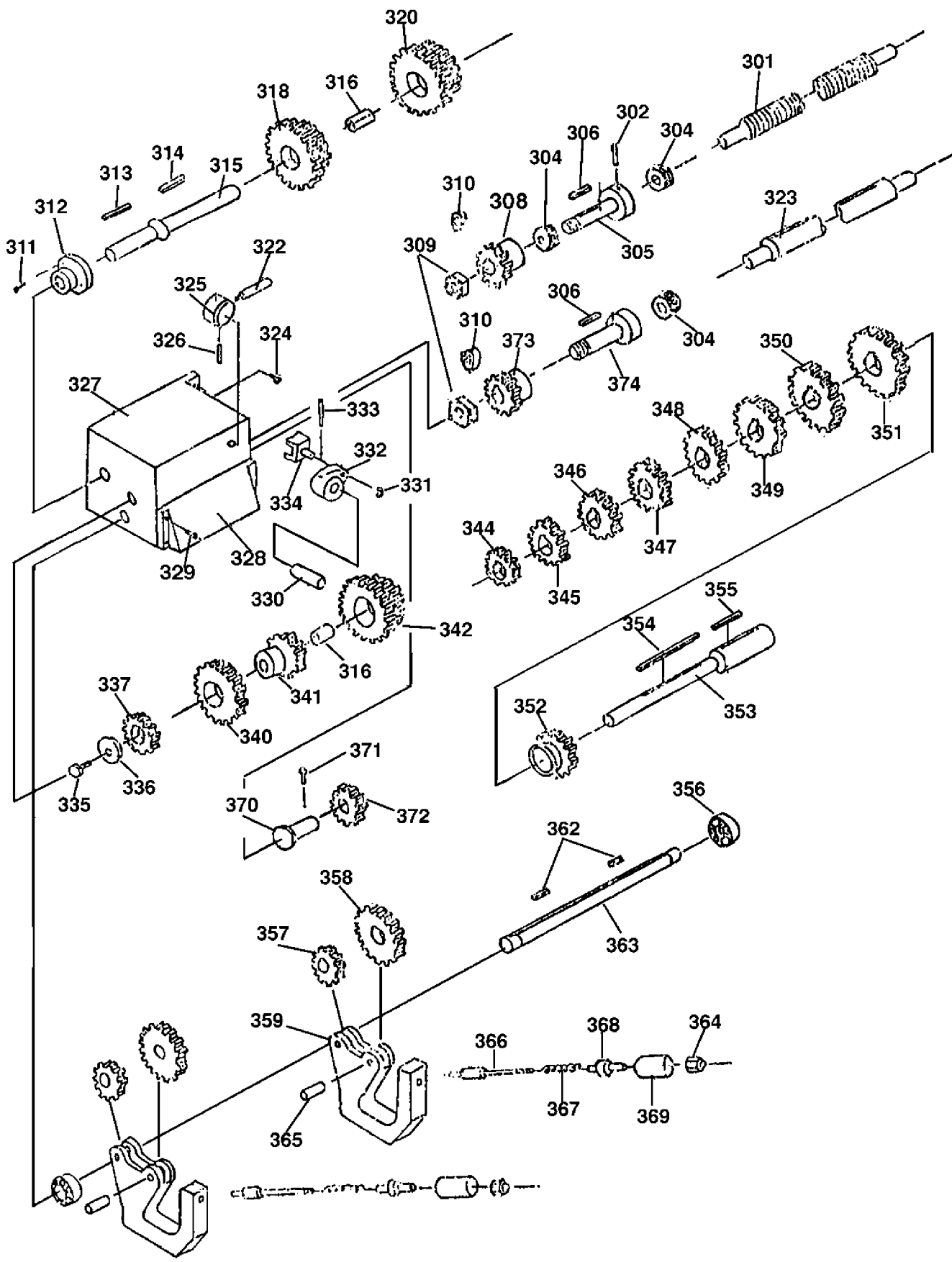
REF	PART #	DESCRIPTION
101	P4002101	SCREW
102	P4002102	COVER
103	P4002103	OIL SEAL
104	P4002104	SPINDLE
105	P7212	BEARING D-7212
106	P4002106	KEY
107	P4002107	KEY
108	P4002108	SCREW
109	P4002109	GEAR
110	P4002110	GEAR
111	P4002111	GEAR
112	P4002112	NUT
113	P4002113	SCREW
114	P4002114	PIN
115	P4002115	COLLAR
116	P4002116	SCREW
117	P4002117	GEAR
118	P7211	BEARING D-7211
119	P4002119	NUT
120	P4002120	OIL SEAL
121	P4002121	COVER
122	P4002122	SCREW
123	P4002123	SCREW
124	P4002124	COVER
125	P4002125	OIL SEAL
126	P60304	BEARING 60304
127	P4002127	SHAFT
128	P4002128	KEY
129	P4002129	SCREW
130	P4002130	GEAR
131	P4002131	GEAR
132	P4002132	GEAR
133	P4002133	C-CUP
134	P4002134	GEAR
135	P4002135	GEAR
136	P4002136	GEAR
137	P6004	BALL BEARING 6004
138	P4002138	OIL SEAL
139	P4002139	COVER

REF	PART #	DESCRIPTION
140	P4002140	SCREW
141	P4002141	WASHER
142	P4002142	PULLEY
143	P4002143	SCREW
144	P4002144	COVER
145	P4002145	OIL SEAL
146	P4002146	GEAR
147	P4002147	GEAR
148	P4002148	GEAR
149	P4002149	SHAFT
150	P4002150	KEY
151	P4002151	KEY
152	P6004	BALL BEARING 6004
153	P4002153	SCREW
154	P4002154	WASHER
155	P4002155	GEAR
156	P4002156	KEY
157	P4002157	OIL SEAL 20 X 45 X 10
158	P4002158	C-CLIP
159	P4002159	C-CLIP
160	P6004	BALL BEARING 6004
161	P4002161	SCREW
162	P4002162	OIL SEAL
163	P4002163	COVER
164	P4002164	COLLAR
165	P4002165	SHAFT
166	P4002166	KEY
167	P4002167	GEAR
168	P4002168	SHAFT
169	P4002169	OIL SEAL
170	P4002170	SCREW
171	P4002171	C-CLIP
172	P4002172	C-CLIP
173	P6204	BALL BEARING 6204
174	P4002174	GEAR
175	P4002175	LOCK PIN
176	P4002176	SPRING
177	P4002177	SCREW

REF	PART #	DESCRIPTION
z178	P4002178	ECCENTRIC SHAFT
179	P4002179	GEAR
180	P4002180	SCREW
181	P4002181	PIN
182	P4002182	SHAFT
183	P4002183	OIL SEAL
184	P4002184	SHAFT ARM
185	P4002185	C-CLIP
186	P4002186	SCREW
187	P4002187	NUT
188	P4002188	SIGN BOARD
189	P4002189	SCREW
190	P4002190	SPRING
191	P4002191	BALL
192	P4002192	SCREW
193	P4002193	COVER
194	P4002194	SCREW
195	P4002195	SCREW
196	P4002196	OIL SEAL
197	P4002197	HEAD STOCK
198	P4002198	SHAFT
199	P4002199	COLLAR
1100	P40021100	SHIFTER ARM
1101	P40021101	SHIFTER
1102	P1183108	RIVET
1103	P40021103	SIGN BOARD
1104	P40021104	OIL WINDOW
1104B	P40021104B	O-RING
1105	P40021105	SCREW
1106	P40021106	OIL SEAL
1107	P40021107	SCREW
1108	P40021108	SCREW
1109	P40021109	HANDLE
1110	P40021110	BOSS
1111	P40021111	KEY
1112	P40021112	GEAR
1113	P40021113	SCREW
1114	P40021114	SCREW
1115	P40021115	BOSS
1116	P40021116	SHIFTER
1117	P40021117	COLLAR



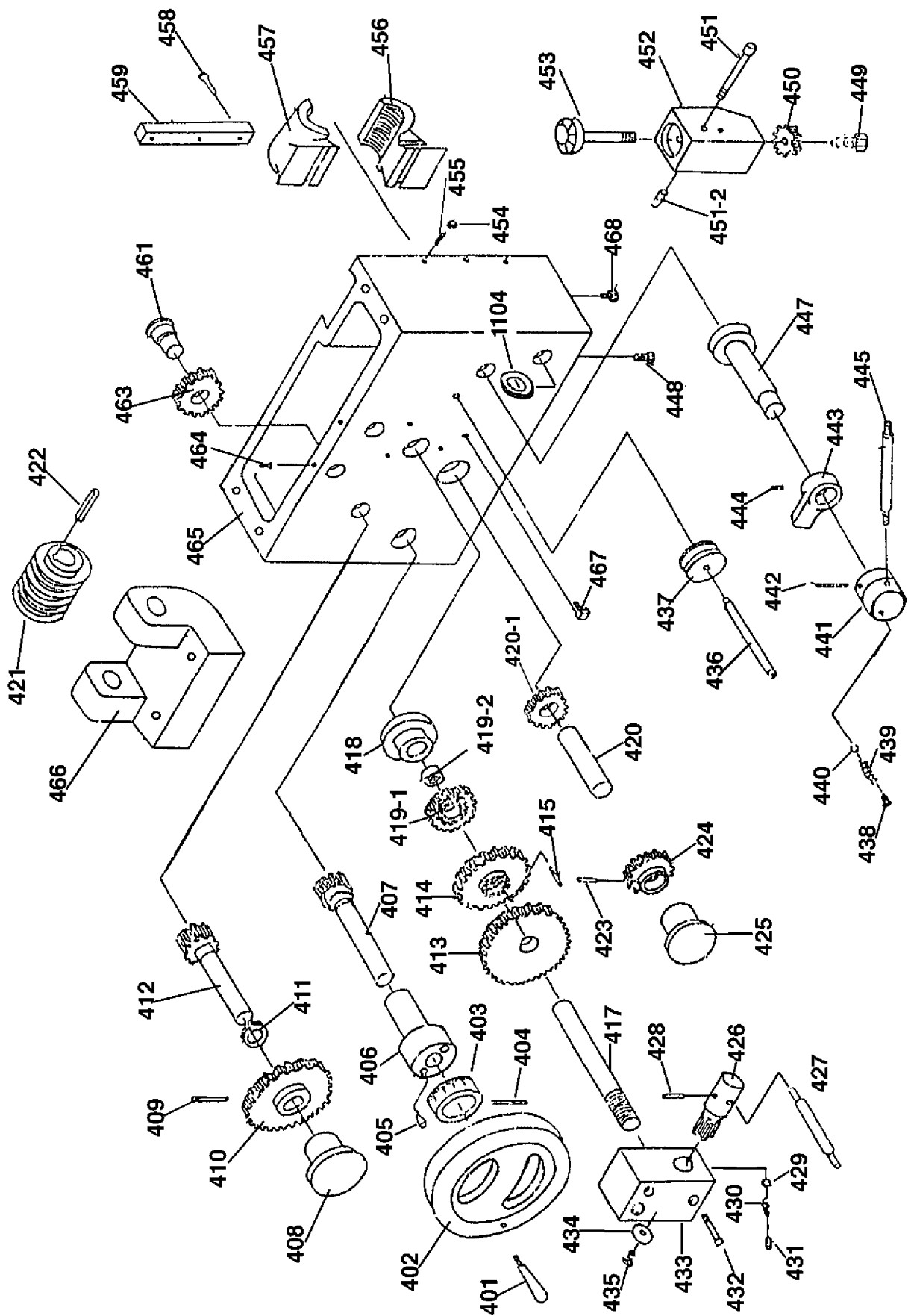
REF	PART #	DESCRIPTION
201	PSB26M	CAP SCREW M6-1 X 12
202	P4002202	WASHER
203	P4002203	GEAR
204	PK12M	KEY 5 X 5 X 30
205	PSB26M	CAP SCREW M6-1 X 12
206	P4002206	WASHER
207B	P4002207B	STEP GEAR 86-91T
208	P6202	BALL BEARING 6202
210	P4002210	QUADRANT
211	P4002211	SHAFT
212	P4002212	GEAR
213	PK12M	KEY 5 X 5 X 30





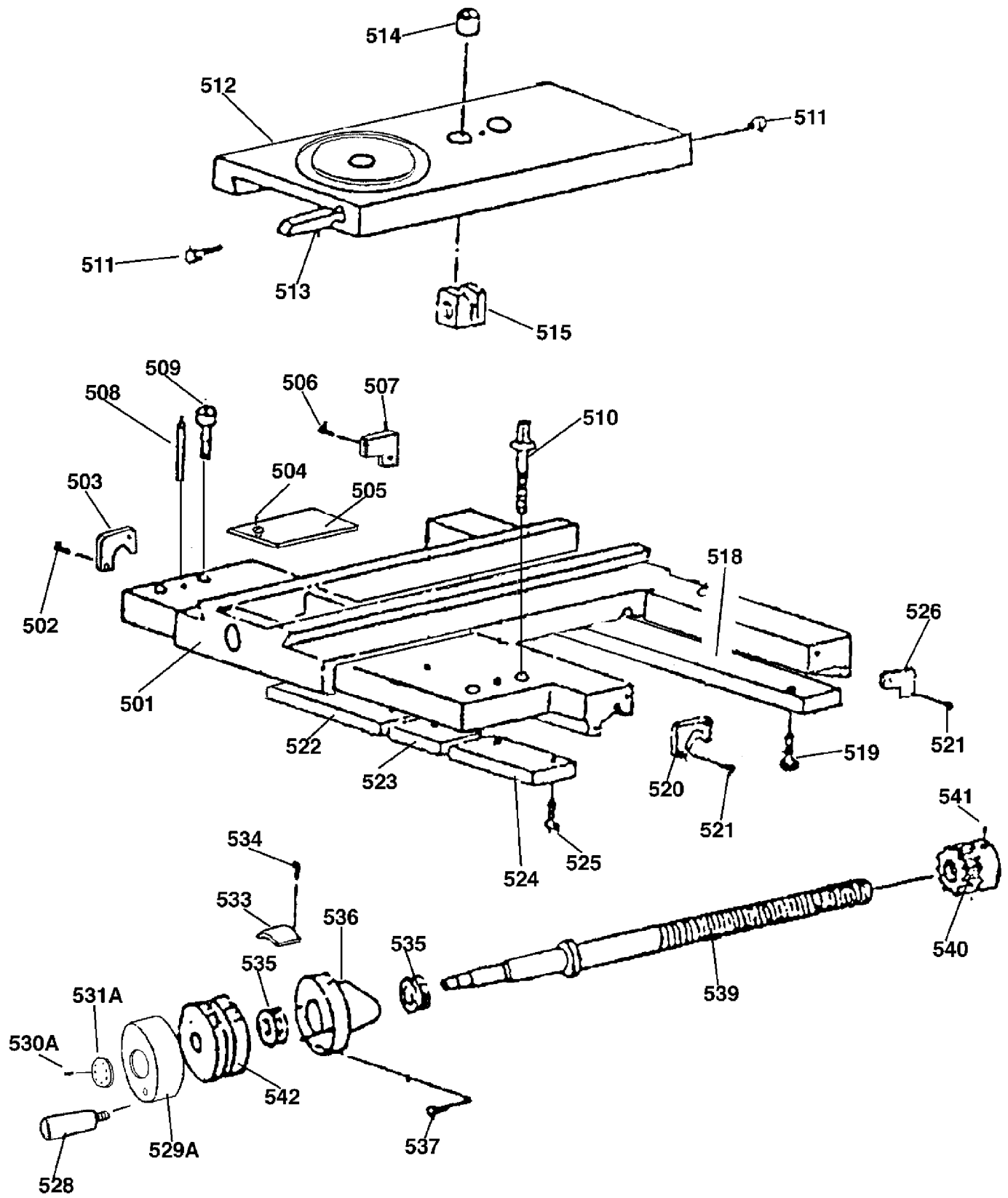
REF	PART #	DESCRIPTION
301	P4002301	LEAD SCREW
302	P4002302	PIN
304	P8103	BEARING 8103
305	P4002305	SHAFT
306	PK19M	KEY 5 X 5 X 14
308	P4002308	GEAR
309	PN09M	HEX NUT M12-1.75
310	P4002310	WASHER
311	P4002311	SCREW
312	P4002312	COVER
313	PK12M	KEY 5 X 5 X 30
314	PK06M	KEY 5 X 5 X 10
315	P4002315	SHAFT
316	P4002316	BUSHING
318	P4002318	GEAR
320	P4002320	GEAR
322	P4002322	LEVER
323	P4002323	FEED ROD
323A	P4002323A	LEAD SCREW
324	P4002324	SCREW
325	P4002325	BOSS
326	P4002326	PIN
327	P4002327	GEAR BOX
327A	P4002327A	COMPLETE GEAR BOX
328	P4002328	PLATE
329	P4002329	SCREW
330	P4002330	SHAFT
331	PEC04M	E-CLIP 13MM
332	P4002332	SHIFT PIVOT
333	P4002333	PIN
334	P4002334	SHIFT YOKE
335	PSB26M	CAP SCREW M6-1 X 12
336	P4002336	WASHER
337	P4002337	GEAR
338	P4002338	HALF NUTS
339	P4002339	WORM
340	P4002340	GEAR
341	P4002341	GEAR

REF	PART #	DESCRIPTION
342	P4002342	GEAR
343	P4002343	GEAR
344	P4002344	GEAR
345	P4002345	GEAR
346	P4002346	GEAR
347	P4002347	GEAR
348	P4002348	GEAR
349	P4002349	GEAR
350	P4002350	GEAR
351	P4002351	GEAR
352	P4002352	GEAR
353	P4002353	SHAFT
354	P4002354	KEY 5 x 5 x 75
355	PK02M	KEY 5 X 5 X 40
356	P4002356	BEARING 7000102
357	P4002357	GEAR
358	P4002358	GEAR
359	P4002359	SHIFT LEVER
362	P4002362	KEY
363	P4002363	SHAFT
364	PN01M	HEX NUT M6-1.0
365	P4002365	SHAFT
366	P4002366	SHAFT
367	P4002367	SPRING
368	P4002368	SLEEVE
369	P4002369	HOUSING
370	P4002370	SHAFT
371	P4002371	SCREW
372	P4002372	GEAR
373	P4002373	GEAR
374	P4002374	SHAFT

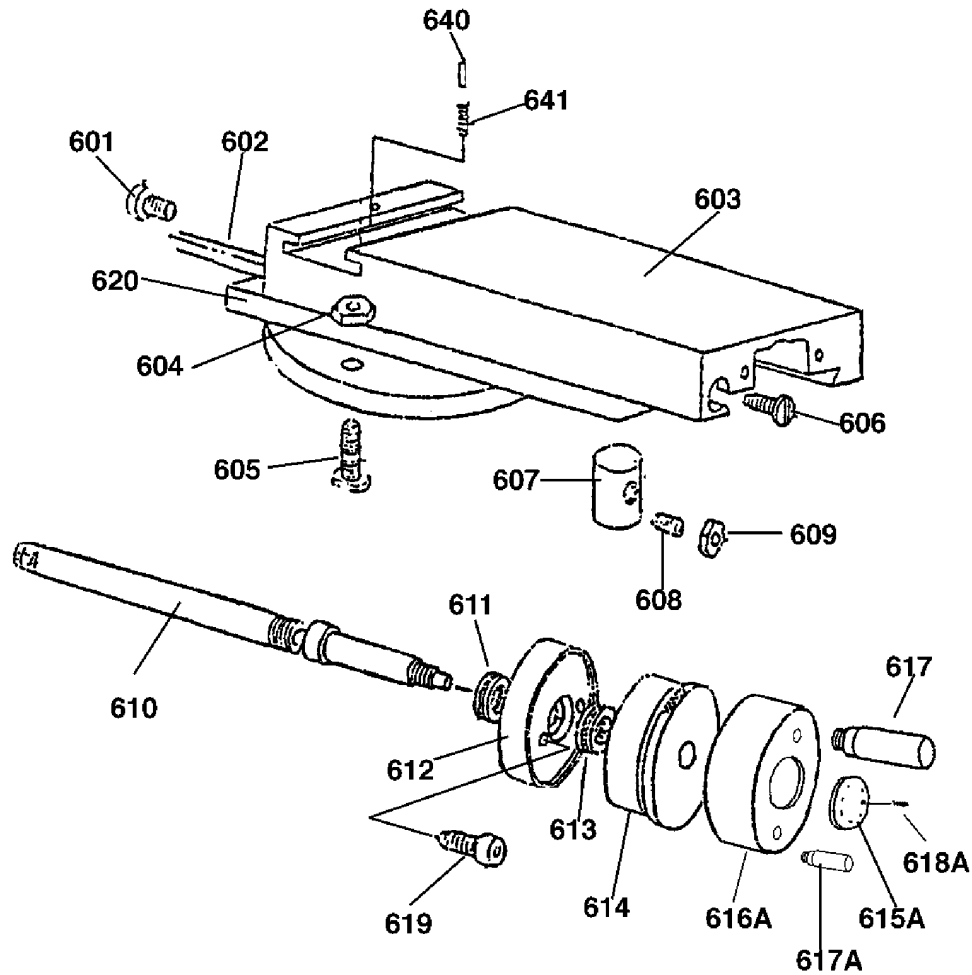


REF	PART #	DESCRIPTION
401	P4002401	HANDLE
402	P4002402	HAND WHEEL
403	P4002403	INDEXING RING
404	P4002404	PIN
405	P4002405	SCREW
406	P4002406	BRACKET
407	P4002407	GEAR SHAFT
408	P4002408	BUSHING
409	PRP05M	ROLL PIN 5 X 30
410	P4002410	GEAR
411	P4002411	RETAINING RING
412	P4002412	GEAR SHAFT
413	P4002413	GEAR
414	P4002414	GEAR
415	P4002415	PIN
417	P4002417	SHAFT
418	P4002418	BUSHING
419-1	P4002419-1	GEAR
419-2	P4002419-2	SPACER
420	P4002420	SHAFT
421	P4002421	WORM
422	P4002422	FLAT KEY
423	PRP06M	ROLL PIN 5 X 24
424	P4002424	GEAR
425	P4002425	BUSHING
426	P4002426	GEAR SHAFT
427	P4002427	LEVER
428	P4002428	PIN
429	P4002429	BALL
430	P4002430	SPRING
431	P4002431	SCREW
432	P4002432	SCREW
433	P4002433	BOSS
434	P4002434	WASHER
435	P4002435	SCREW

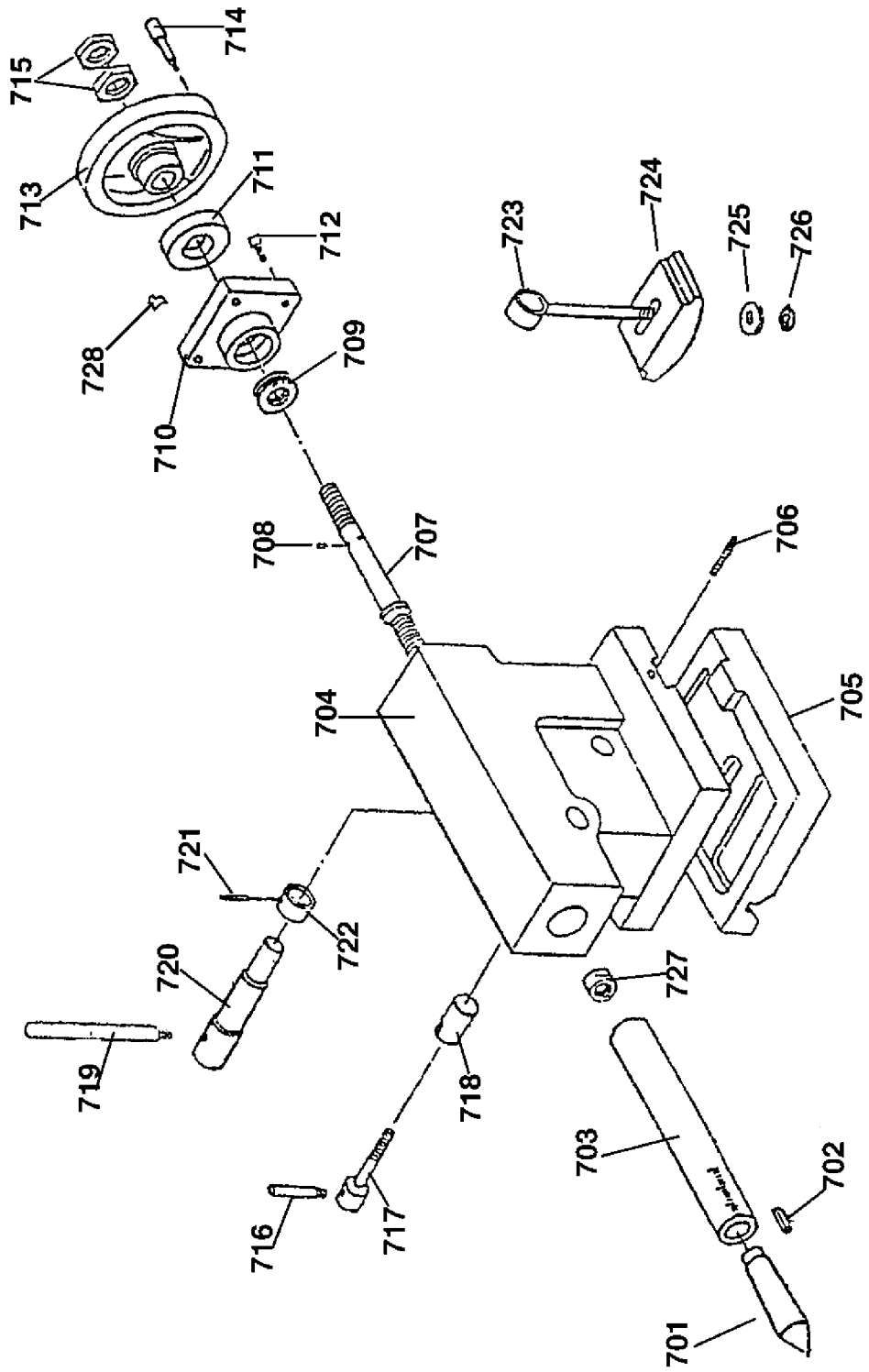
REF	PART #	DESCRIPTION
436	P4002436	SHAFT
437	P4002437	SAFETY SHIFTER
438	P4002438	SCREW
439	P4002439	SPRING
440	P4002440	BALL
441	P4002441	BOSS
442	P4002442	PIN
443	P4002443	DOG
444	P4002444	SCREW
445	P4002445	LEVER
447	P4002447	SHAFT
448	P4002448	SCREW
449	PSB28M	CAP SCREW M6-1 X 15
450	P4002450	GEAR
451	P4002451	SCREW
451-2	P4002451-2	SPACER
452	P4002452	HOUSING
453	P4002453	THREAD DIAL
454	PN01M	HEX NUT M6-1.0
455	P4002455	SCREW
456	P4002456	HALF NUT
457	P4002457	HALF NUT HOUSING
458	P4002458	SCREW
459	P4002459	GIB
461	P4002461	SHAFT
463	P4002463	GEAR
464	P4002464	SCREW
465	P4002465	APRON CASE
466	P4002466	WORM BRACKET
467	P4002467	LIMIT BLOCK
468	P4002468	SCREW



REF	PART #	DESCRIPTION
501	P4002501	SADDLE
502	P4002502	SCREW
503	P4002503	WIPER
504	P4002504	SCREW
505	P4002505	COVER
506	P4002506	SCREW
507	P4002507	WIPER
508	P4002508	PIN
509	P4002509	SCREW
510	P4002510	SCREW
511	P4002511	SCREW
512	P4002512	CROSS SLIDE
513	P4002513	GIB
514	P4002514	BUSHING
515	P4002515	NUT
518	P4002518	SLIDE PLATE
519	P4002519	SCREW
520	P4002520	WIPER
521	P4002521	SCREW
522	P4002522	SLIDE PLATE
523	P4002523	SLIDE PLATE
524	P4002524	SLIDE PLATE
525	PB19M	HEX BOLT M8-1.25 X 24
526	P4002526	WIPER
527	P4002527	SCREW
528	P4002528	HANDLE
529A	P4002529A	BRACKET
530A	P4002530A	SET SCREW
531A	P4002531A	SPANNER NUT
533	P4002533	SIGN BOARD
534	P4002534	SCREW
535	P8102	BEARING 8102
536	P4002536	BRACKET
537	PSB06M	CAP SCREW M6-1 X 25
539	P4002539	LEAD SCREW
540	P4002540	GEAR
541	P4002541	SCREW
542	P4002542	DIAL
543	P4002543	SCREW

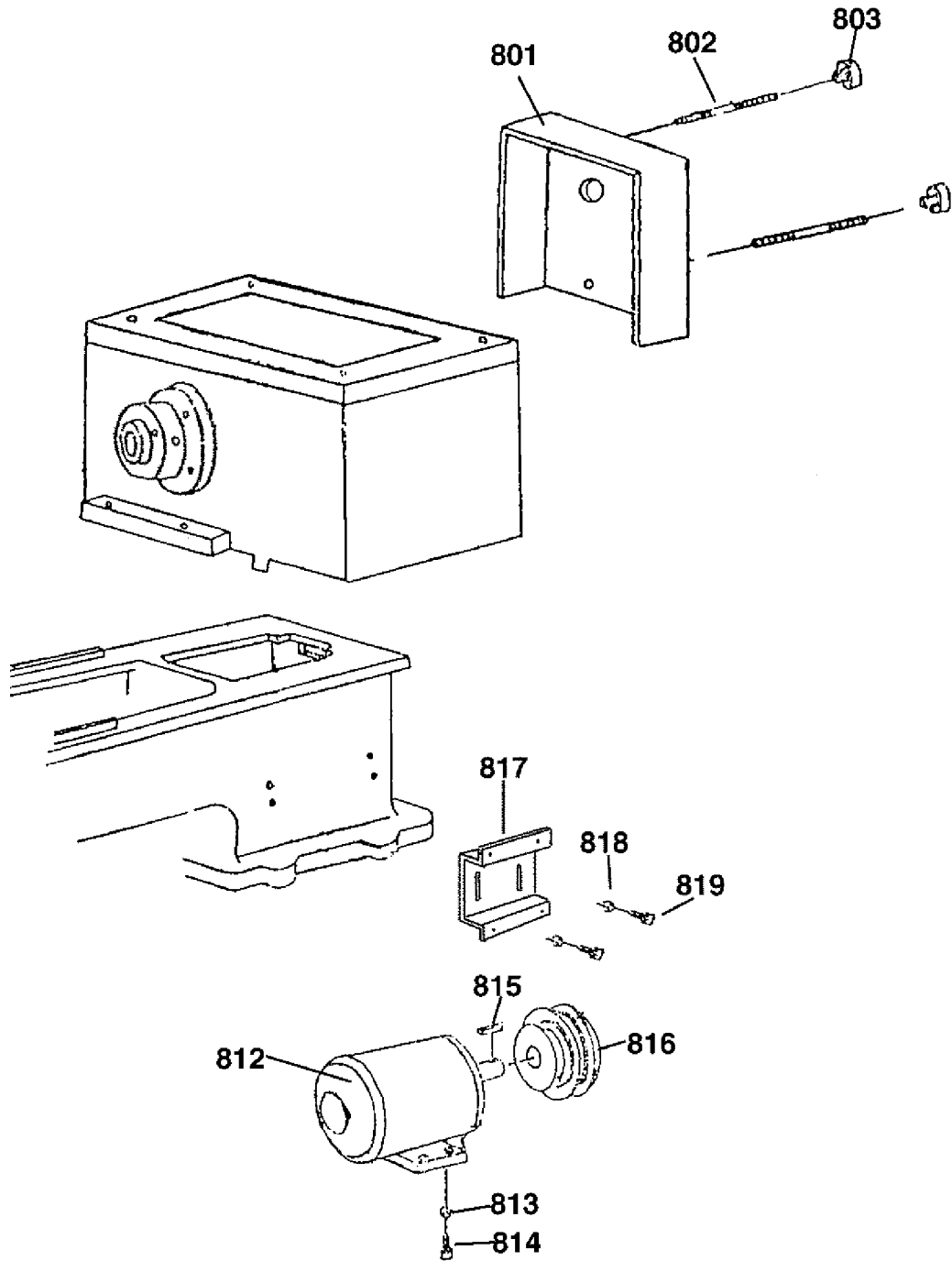


REF	PART #	DESCRIPTION
601	P4002601	SCREW
602	P4002602	GIB
603	P4002603	COMPOUND SLIDE
604	PN08M	HEX NUT M10-1.25
605	P4002605	SCREW
606	P4002606	SCREW
607	P4002607	LEAD SCREW NUT
608	P4002608	SCREW
609	PN01M	HEX NUT M6-1.0
610	P4002610	LEAD SCREW
611	P8101	BEARING 8101
612	P4002612	BRACKET
613	P8101	BEARING 8101
614	P4002614	INDEX RING
615A	P4002615A	SPANNER NUT
616A	P4002616A	BRACKET
617A	P4002617A	HANDLE
618A	P4002618A	SET SCREW
619	P4002619	SCREW
620	P4002620	COMPOUND REST
640	P4002640	PIN
641	P4002641	SPRING

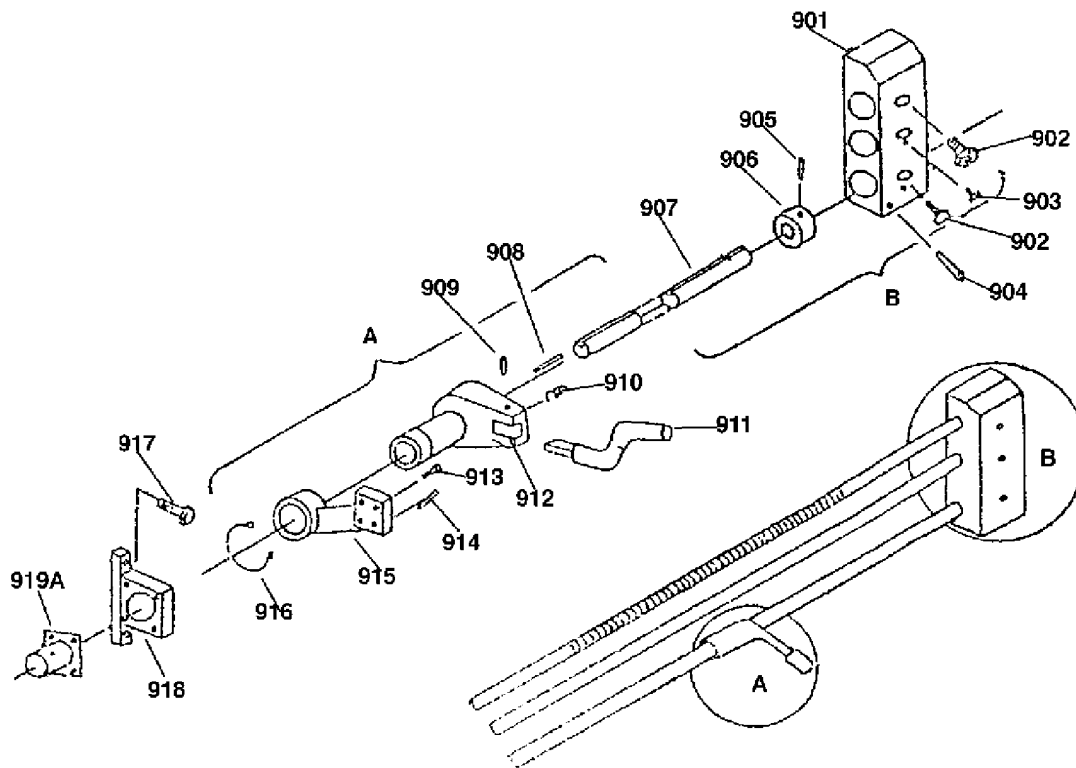


REF	PART #	DESCRIPTION
701	P4002701	CENTER
702	P4002702	KEY
703	P4002703	QUILL
704	P4002704	TAIL STOCK
705	P4002705	BASE
706	P4002706	SCREW
707	P4002707	SCREW
708	P4002708	PIN
709	P8101	BEARING 8101
710	P4002710	BRACKET
711	P4002711	INDEX RING
712	P4002712	SCREW
713	P4002713	HAND WHEEL
714	P4002714	HANDLE
715	PN09M	HEX NUT M12-1.75
716	P4002716	HANDLE
717	P4002717	LOCK SCREW
718	P4002718	LOCK SHAFT
719	P4002719	HANDLE
720	P4002720	SHAFT
721	P4002721	PIN
722	P4002722	COLLAR
723	P4002723	SHAFT
724	P4002724	BASE SHOE BLOCK
725	PW06M	FLAT WASHER 12MM
726	PN09M	HEX NUT M12-1.75
727	P4002727	NUT
728	P4002728	INDEX
730	P4002730	HANDLE STOP

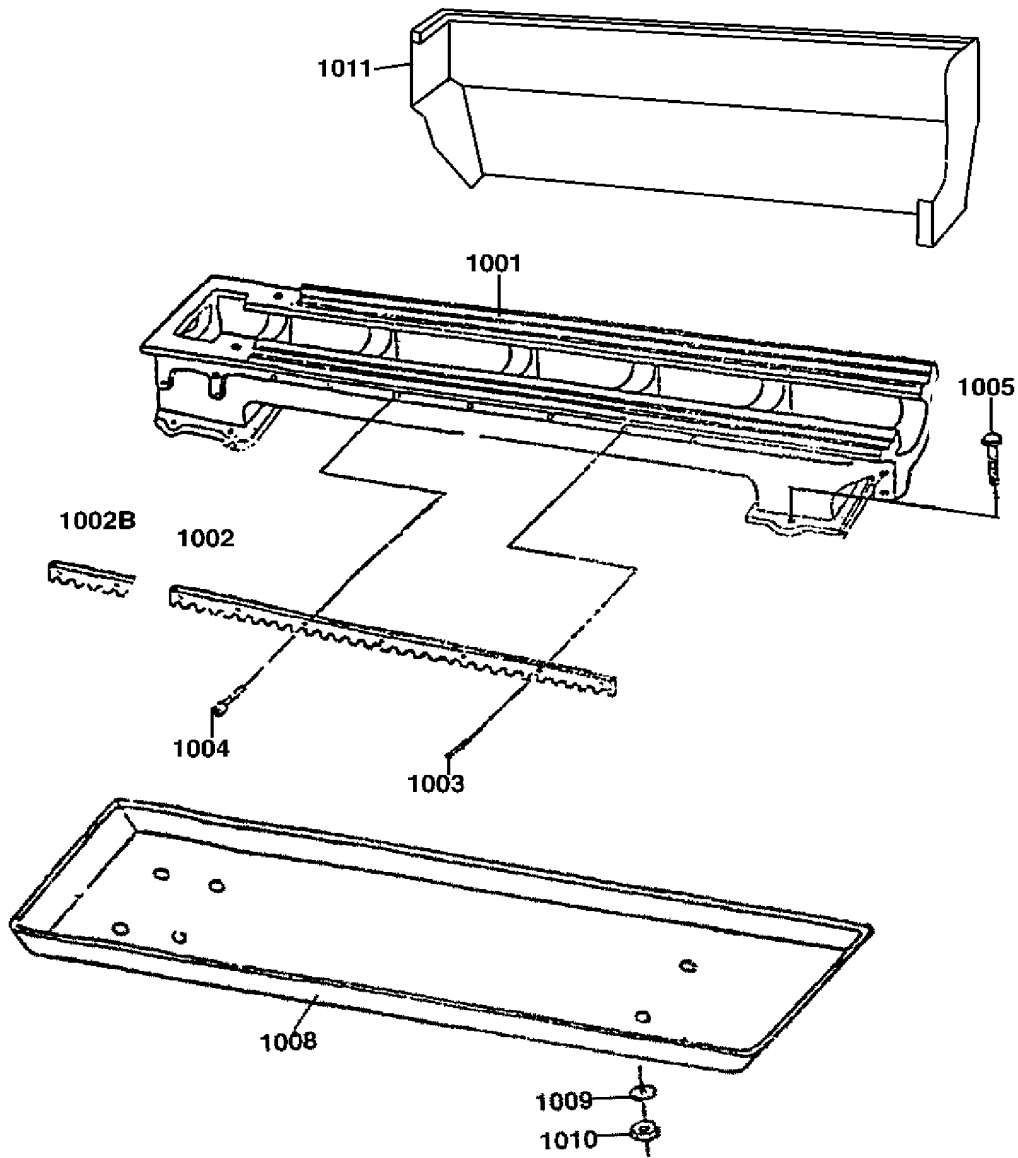




REF	PART #	DESCRIPTION
801	P4002801	COVER
802	P4002802	SCREW
803	P4002803	NUT
812	P4002812	MOTOR 2 HP
813	PW04M	FLAT WASHER 10MM
814	P4002814	SCREW
815	P4002815	KEY
816	P4002816	PULLEY
817	P4002817	MOTOR MOUNT BRKT
818	P4002818	FLAT WASHER
819	P4002819	HEX BOLT



REF	PART #	DESCRIPTION
901	P4002901	BRACKET
902	P4002902	SCREW
903	P4002903	OIL CAP
904	P4002904	PIN
905	P4002905	SCREW
906	P4002906	COLLAR
907	P4002907	ROD
908	P4002908	KEY
909	P4002909	PIN
910	P4002910	SPRING
911	P4002911	HANDLE
912	P4002912	BRACKET
913	P4002913	SCREW
914	P4002914	PIN
915	P4002915	BRACKET
916	P4002916	C-CLIP
917	PSB31M	CAP SCR M8-1.25 X 25
918	P4002918	BRACKET
919A	P4002919A	FOR/REV SWITCH



REF	PART #	DESCRIPTION
1001	P40021001	LATHE BED
1002	P40021002	RACK
1002B	P40021002B	RACK, GAP
1003	P40021003	PIN
1004	P40021004	SCREW
1005	P40021005	SCREW
1008	P40021008	CHIP PAN
1009	P40021009	WASHER
1010	P40021010	NUT
1011	P40021011	SPLASH GUARD