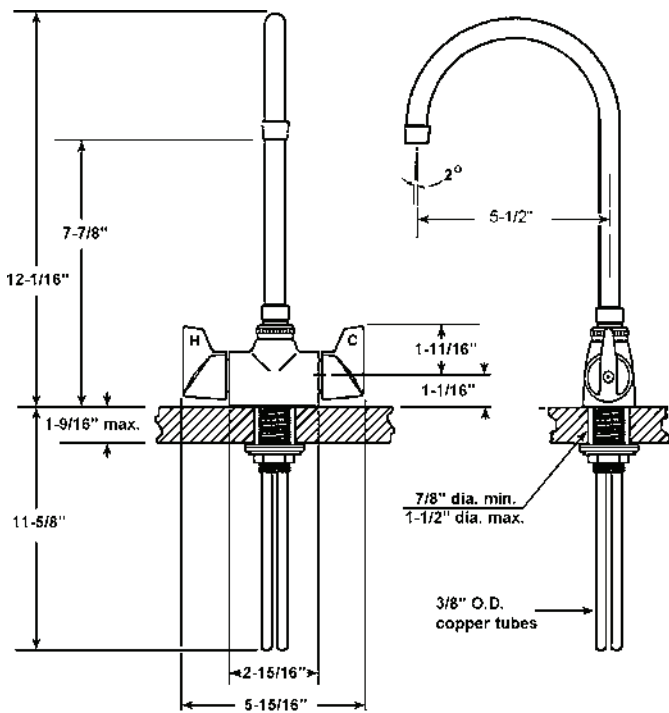




**JGN-750**  
**FAUCET GROUP**  
**BAR & PANTRY FAUCET**

**SUBMITTAL DATA**



**TECHNICAL DATA**

**CONSTRUCTION:**

- Single hole deck mounted
- Solid cast brass body
- Brass gooseneck swivel spout
- Replaceable seats
- Brass quarter turn quick compression stem units
- Replaceable reinforced nitrile rubber packing
- Replaceable Buna-N seat washers
- Chrome plated die cast lever handles
- Handles are indexed "H" & "C"
- Equipped with water saving aerator

Certified by IAPMO R&T to:

- \* NSF/ANSI 61- 2010a
- \* NSF/ANSI 372
- \* Low Lead
- \* ANSI A112.18.1 / CSA B125.1
- \* UPC
- \* IPC
- \* ADA Compliant



**FINISH**

Polished chrome plate

**FLOW RATE**

1.5 GPM flow restricting aerator

**A.D.A. COMPLIANT**

Yes

**VARIANTS**

JGN-740 = JGN-750 w/ rigid spout

JUST MFG. COMPANY CONTINUES TO MAKE QUALITY AND FUNCTIONALITY A MARK OF THE JUST PRODUCT LINE. WE RESERVE THE RIGHT TO CHANGE PRODUCT INFORMATION WITHOUT NOTICE. DIMENSIONS MAY CHANGE AND MAY BE SUBJECT TO CHANGE WITHOUT NOTICE. NO RESPONSIBILITY IS ASSUMED FOR USE OF SUPERCEDED OR VOIDED DATA. JUST MFG. CO. SINKS ARE MADE IN THE U.S.A. WHEN COMPARING OTHER BRAND PRODUCTS, BE SURE TO COMPARE USA QUALITY ALONG WITH FEATURES AND DIMENSIONS.

OPTIONS	
AERATORS / FLOW CONTROL	
0.5 GPM	2.2 GPM
1.0 GPM	
HANDLES	
W4 - 4" Wrist Blades	
W6 - 6" Wrist Blades	
VANDAL RESISTANT	
Handles - VR-H	
Aerator - VR-A	

APPROVED FOR MANUFACTURING

MODEL NO.: **JGN-750** QTY: \_\_\_\_\_

JOB NAME: \_\_\_\_\_

TAG/ITEM: \_\_\_\_\_

CUSTOMER: \_\_\_\_\_

SIGNATURE: \_\_\_\_\_

**JUST MANUFACTURING COMPANY**

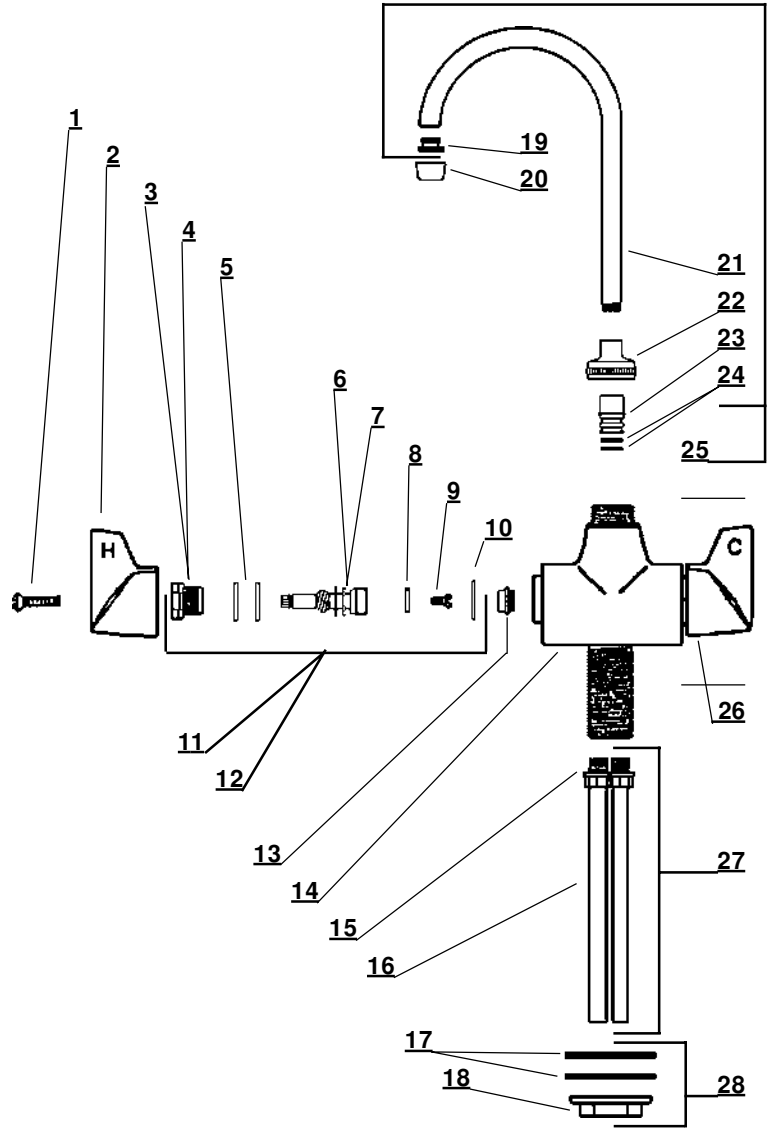
9233 KING STREET FRANKLIN PARK ILLINOIS 60131-2111

PH: 847-678-5150 . FAX: 847-678-6817 . E-MAIL: [custserv@justmfg.com](mailto:custserv@justmfg.com) . [www.justmfg.com](http://www.justmfg.com)



**FAUCET GROUP**

**BAR & PANTRY FAUCET**



Item No.	Part No.	Description
1	107-H	Handle Screw
2	PF-518-H	Handle - Hot
3	454-EWC	Bonnet ( Cold Side )
4	454-EWH	Bonnet ( Hot Side )
5	1038-453	O-Ring
6	454-FL	Stem ( Cold Side )
7	454-FR	Stem ( Hot Side )
8	901-WN	Seat Washer
9	104	Seat Washer Screw
10	1028-Y	Gasket
11	SU-454-ER	Stem Sub-Unit (Hot Side)
12	SU-454-EL	Stem Sub-Unit (Cold Side)
13	263-BC	Replaceable Seat
14	1759-J	Body (not available separately)
15	1038-CC	"O" ring
16	SU-702-10	Supply tube
17	52	Steel Washer
18	4090-SK02	Locknut
19	PF-166-U	Adaptor
20	30-M.1.5	Aerator
21	PF-157-K	Spout
22	PF-782-JES	Spout Nut
23	PF-741-DO	Adaptor
24	1038-K	O-Ring
25	SU-157-KSA	Spout Assembly
26	PF-518-C	Handle - Cold
27	G-702-10	Supply tube assembly
28	G-284	Nut & washer mounting kit

JUST MFG. COMPANY CONTINUES TO MAKE QUALITY AND FUNCTIONALITY A MARK OF THE JUST PRODUCT LINE. TO DO SO REQUIRES THAT WE RESERVE THE RIGHT TO CHANGE PRODUCT INFORMATION WITHOUT NOTICE. DIMENSIONS MAY VARY AND ARE SUBJECT TO CHANGE WITHOUT NOTICE. NO RESPONSIBILITY IS ASSUMED FOR USE OF SUPERCEDED OR VOIDED DATA. FOR THE MOST CURRENT AND ACCURATE INFORMATION REGARDING THE COMPLETE LINE OF JUST SINKS, FAUCETS AND DRAINS, CLICK ON THE SPEC LINE DRAWINGS LINK ON OUR WEB SITE AT [www.justmfg.com](http://www.justmfg.com)

**JUST MANUFACTURING COMPANY**  
 9233 KING STREET . FRANKLIN PARK . ILLINOIS . 60131-2111  
 PH: 847-678-5150 . FAX: 847-678-6817  
 E-MAIL: [custserv@justmfg.com](mailto:custserv@justmfg.com) . [www.justmfg.com](http://www.justmfg.com)