



MANITOU NORTH AMERICA, INC.

6401 IMPERIAL DRIVE
Waco, TX 76712-6803

***NOTE:** Manitou Forklift Manuals are continually updated and subject to change without prior notice. If your Forklift Mast Model or parts are not found in this manual, please contact your dealer or the Manitou North America Parts Department for the latest information and parts availability.*

**5700 SERIES
3 STAGE MAST
5500LB. CAPACITY**

MODELS K5701 THRU K5739
SERIAL NO. 570003 & ABOVE

PARTS MANUAL

For Parts Orders contact your Manitou North America Dealer or call:
Manitou North America, Parts Dept. 800-425-3727 or (254) 799-0232
Parts Dept. Fax: (254) 867-6504 Website: www.manitou-na.com

GENERAL INFORMATION

The purpose of this catalog is to provide illustrations for identifying and ordering Mast components/parts. Because of the multitude of Mast Models and components utilized, the illustrations provide a general description and therefore may not show the *exact* shape or detail of the components/parts represented.

The Mast parts are identified by an Item Number on the illustration or picture page. Find the Item Number for the part desired, then locate that Item Number under the "Items" column following the illustration. The Part Number will be located directly to the right of the Item Number. Also provided is a part Description, Quantity of parts required and the mast Model number.

Most important when ordering parts, is providing the correct serial number as assigned to the mast at the factory. Keep accurate records of all modifications or improvements made to the mast after manufacture. (All Mast modifications must be authorized by K-D Manitou.) Notify the Parts Dept. of any changes that may affect your parts order.

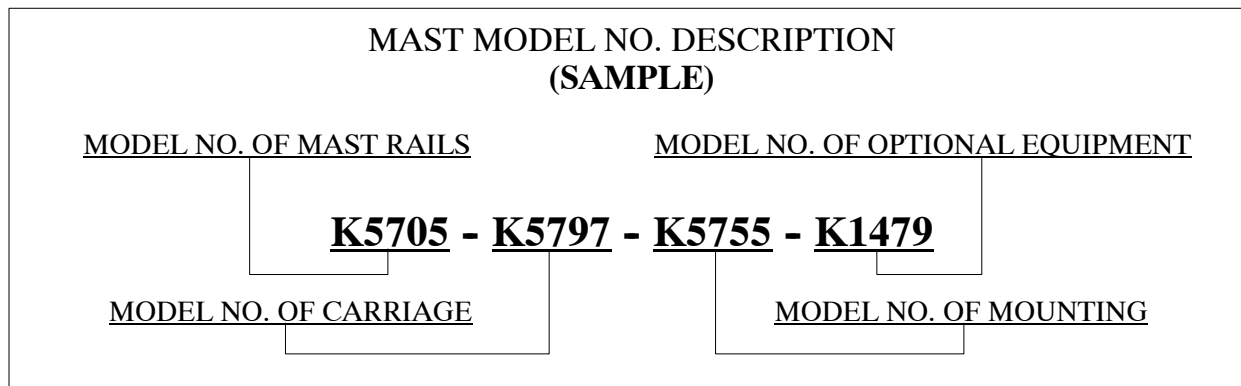
When ordering Mast parts or requesting technical information, the following numbers are required:

Mast Model Number: _____

Mast Serial Number: _____

For quick reference it is recommended these numbers be recorded as soon as possible.

The Mast Model Number is stamped on the Identification Plate located on the right side (as viewed from the driver's seat) of the Outer Rail, at or above eye level.

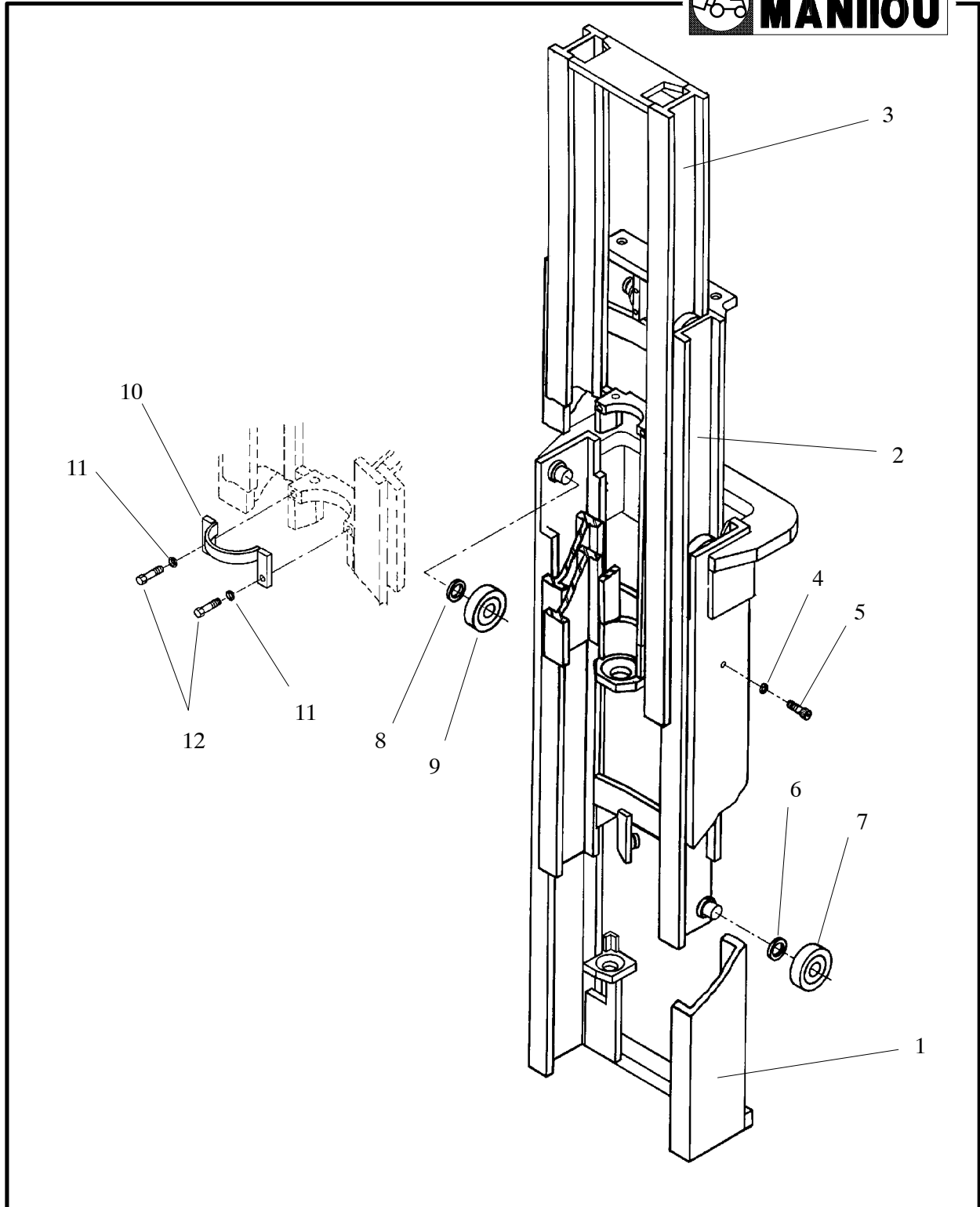


For Parts Orders contact your ***K-D Manitou Dealer*** or call:
K-D Manitou, Inc., Parts Department 1-800-425-3727 or (254) 799-0232.
Parts Dept. Fax: (254) 867-6504 Website: www.kdmanitou.com

CONTENTS

RAIL SYSTEM	2
PRIMARY CYLINDER ASSEMBLY	6
SECONDARY CYLINDER ASSEMBLY	10
PRIMARY CHAIN SYSTEM	14
SECONDARY CHAIN SYSTEM	16
HYDRAULIC SYSTEM	18
CARRIAGE, MODELS K5790 - K5797	20
CARRIAGE, MODELS K5798 & K5799	22
CARRIAGE, MODEL K5789	24
SIDE SHIFT CARRIAGE ASSEMBLY	26
HOSE KIT, MODEL K5776	28
HOSE KIT, MODEL K5777	30
MILITARY MAST KIT	32
DECALS	SUPPLEMENT
PARTS INDEX	

RAIL SYSTEM



ITEM	PART NUMBER	DESCRIPTION	QTY	MODEL
1*	R17605-2	Outer Rail Assembly	1	K5702, K5702A
1*	R17605-3	Outer Rail Assembly	1	K5703
1*	R17605-5	Outer Rail Assembly	1	K5705
1*	R17605-6	Outer Rail Assembly	1	K5706
1*	R17605-7	Outer Rail Assembly	1	K5707
1*	R18860-7	Outer Rail Assembly	1	K5707M
1*	R17605-8	Outer Rail Assembly	1	K5708, K5708A
1*	R18860-8	Outer Rail Assembly	1	K5708M
1*	R17605-9	Outer Rail Assembly	1	K5709
1*	R17605-10	Outer Rail Assembly	1	K5710, K5710A
1*	R17605-11	Outer Rail Assembly	1	K5711
1*	R17605-13	Outer Rail Assembly	1	K5713
1*	R17605-14	Outer Rail Assembly	1	K5714
1*	R17605-15	Outer Rail Assembly	1	K5715
1*	R17605-18	Outer Rail Assembly	1	K5718
1*	R17605-19	Outer Rail Assembly	1	K5719
1*	R17605-21	Outer Rail Assembly	1	K5721
1*	R17605-23	Outer Rail Assembly	1	K5723
1*	R17605-24	Outer Rail Assembly	1	K5724
1*	R17605-26	Outer Rail Assembly	1	K5726
1*	R17605-30	Outer Rail Assembly	1	K5730
1*	R17605-32	Outer Rail Assembly	1	K5732
1*	R17605-35	Outer Rail Assembly	1	K5735
1*	R17605-38	Outer Rail Assembly	1	K5738
1*	R17605-39	Outer Rail Assembly	1	K5739
2	R17625-2	Intermediate Rail Assembly	1	K5702, K5702A
2	R17625-3	Intermediate Rail Assembly	1	K5703
2	R17625-5	Intermediate Rail Assembly	1	K5705
2	R17625-6	Intermediate Rail Assembly	1	K5706
2	R17625-7	Intermediate Rail Assembly	1	K5707, K5707M
2	R17625-8	Intermediate Rail Assembly	1	K5708, K5708A, K5708M
2	R17625-9	Intermediate Rail Assembly	1	K5709
2	R17625-10	Intermediate Rail Assembly	1	K5710, K5710A
2	R17625-11	Intermediate Rail Assembly	1	K5711
2	R17625-13	Intermediate Rail Assembly	1	K5713
2	R17625-14	Intermediate Rail Assembly	1	K5714
2	R17625-15	Intermediate Rail Assembly	1	K5715

* For S/N: 570329 & ABOVE. For S/N 570328 & BELOW use R18860 - XX.

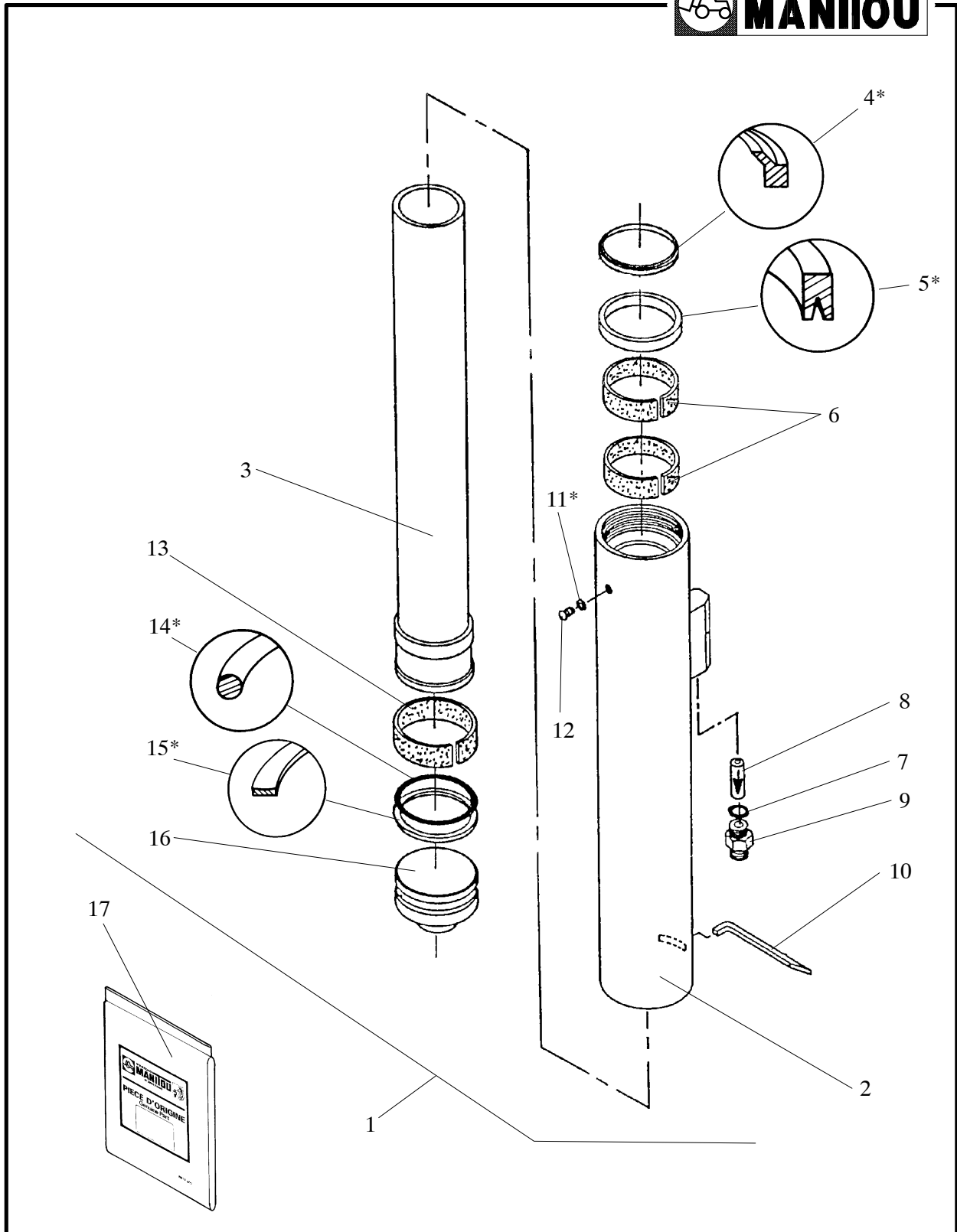
ITEM	PART NUMBER	DESCRIPTION	QTY	MODEL
2	R17625-18	Intermediate Rail Assembly	1	K5718
2	R17625-19	Intermediate Rail Assembly	1	K5719
2	R17625-21	Intermediate Rail Assembly	1	K5721
2	R17625-23	Intermediate Rail Assembly	1	K5723
2	R17625-24	Intermediate Rail Assembly	1	K5724
2	R17625-26	Intermediate Rail Assembly	1	K5726
2	R17625-30	Intermediate Rail Assembly	1	K5730
2	R17625-32	Intermediate Rail Assembly	1	K5732
2	R17625-35	Intermediate Rail Assembly	1	K5735
2	R17625-38	Intermediate Rail Assembly	1	K5738
2	R17625-39	Intermediate Rail Assembly	1	K5739
3	R17650-2	Inner Rail Assembly	1	K5702, K5702A
3	R17650-3	Inner Rail Assembly	1	K5703
3	R17650-5	Inner Rail Assembly	1	K5705
3	R17650-6	Inner Rail Assembly	1	K5706
3	R17650-7	Inner Rail Assembly	1	K5707, K5707M
3	R17650-8	Inner Rail Assembly	1	K5708, K5708A, K5708M
3	R17650-9	Inner Rail Assembly	1	K5709A
3	R17650-10	Inner Rail Assembly	1	K5710, K5710A
3	R17650-11	Inner Rail Assembly	1	K5711
3	R17650-13	Inner Rail Assembly	1	K5713
3	R17650-14	Inner Rail Assembly	1	K5714
3	R17650-15	Inner Rail Assembly	1	K5715
3	R17650-18	Inner Rail Assembly	1	K5718
3	R17650-19	Inner Rail Assembly	1	K5719
3	R17650-21	Inner Rail Assembly	1	K5721
3	R17650-23	Inner Rail Assembly	1	K5723
3	R17650-24	Inner Rail Assembly	1	K5724
3	R17650-26	Inner Rail Assembly	1	K5726
3	R17650-30	Inner Rail Assembly	1	K5730
3	R17650-32	Inner Rail Assembly	1	K5732
3	R17650-35	Inner Rail Assembly	1	K5735
3	R17650-38	Inner Rail Assembly	1	K5738
3	R17650-39	Inner Rail Assembly	1	K5739

ITEM	PART NUMBER	DESCRIPTION	QTY	MODEL
4	K34813	Washer, Lock	2	ALL
5	R9251	Screw, Socket Head	2	
6	R22	Shim	A/R	
7	R2*	Roller	2	
8	R206	Shim	A/R	
9	R1**	Roller	6	
10	R9155	Cylinder Retainer	1	
11	K34807	Washer, Lock	2	
12	K20388	Bolt, Hex	2	

* Also available for replacement of R2 is a 0.015" Over-Sized Roller, order Part No. R446.

** Also available for replacement of R1 is a 0.015" Over-Sized Roller, order Part No. R442.

PRIMARY CYLINDER ASSEMBLY



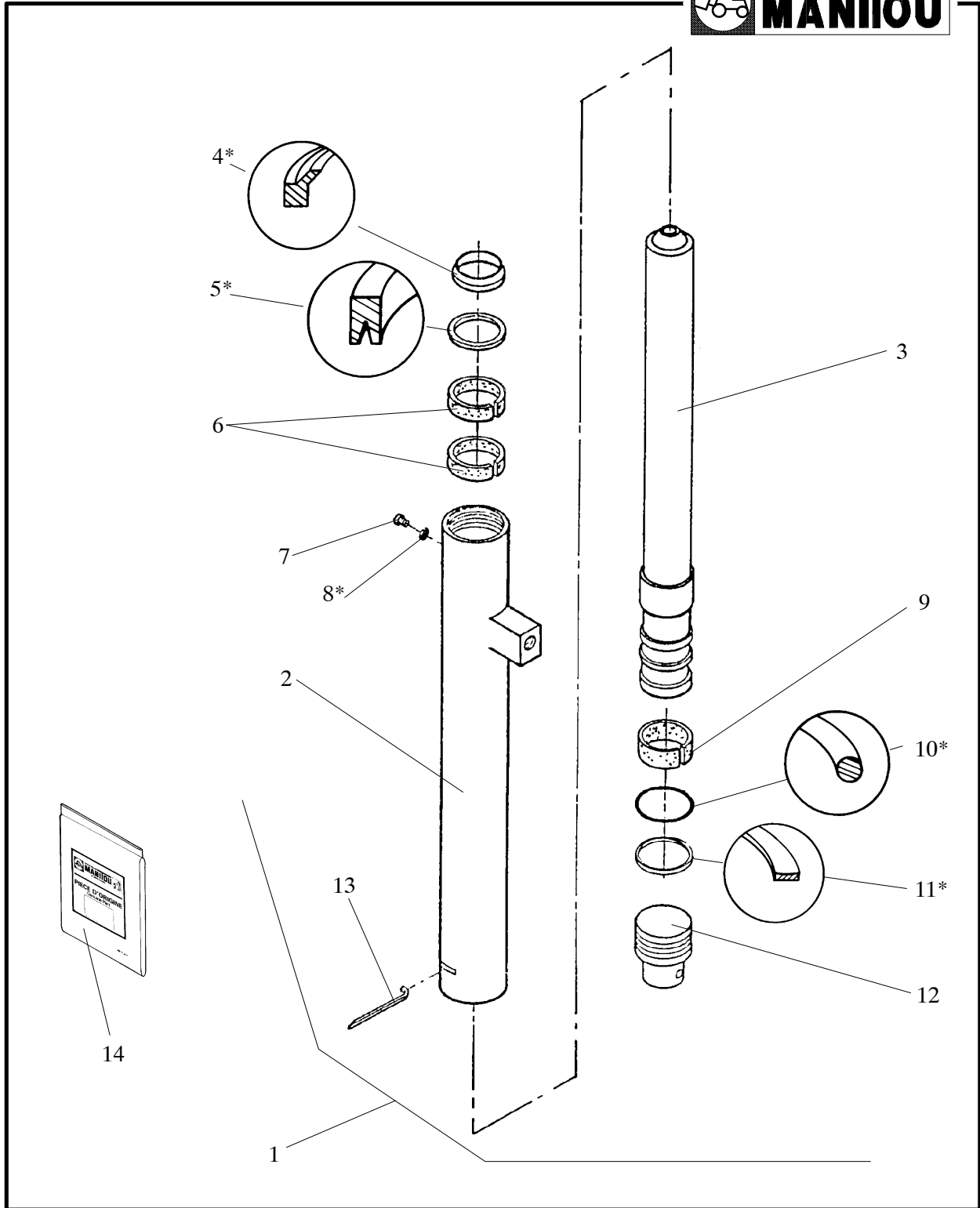
ITEM	PART NUMBER	DESCRIPTION	QTY	MODEL
1	R18265-2	Primary Cylinder Assembly	1	K5702, K5702A
1	R18265-3	Primary Cylinder Assembly	1	K5703
1	R18265-5	Primary Cylinder Assembly	1	K5705
1	R18265-6	Primary Cylinder Assembly	1	K5706
1	R18265-7	Primary Cylinder Assembly	1	K5707
1	R18340-7	Primary Cylinder Assembly	1	K5707M
1	R18265-8	Primary Cylinder Assembly	1	K5708, K5708A
1	R18340-8	Primary Cylinder Assembly	1	K5708M
1	R18265-9	Primary Cylinder Assembly	1	K5709
1	R18265-10	Primary Cylinder Assembly	1	K5710, K5710A
1	R18265-11	Primary Cylinder Assembly	1	K5711
1	R18265-13	Primary Cylinder Assembly	1	K5713
1	R18265-14	Primary Cylinder Assembly	1	K5714
1	R18265-15	Primary Cylinder Assembly	1	K5715
1	R18265-18	Primary Cylinder Assembly	1	K5718
1	R18265-19	Primary Cylinder Assembly	1	K5719
1	R18265-21	Primary Cylinder Assembly	1	K5721
1	R18265-23	Primary Cylinder Assembly	1	K5723
1	R18265-24	Primary Cylinder Assembly	1	K5724
1	R18265-26	Primary Cylinder Assembly	1	K5726
1	R18265-30	Primary Cylinder Assembly	1	K5730
1	R18265-32	Primary Cylinder Assembly	1	K5732
1	R18265-35	Primary Cylinder Assembly	1	K5735
1	R18265-38	Primary Cylinder Assembly	1	K5738
1	R18265-39	Primary Cylinder Assembly	1	K5739
2	R18270-2	Barrel Assembly	1	K5702, K5702A
2	R18270-3	Barrel Assembly	1	K5703
2	R18270-5	Barrel Assembly	1	K5705
2	R18270-6	Barrel Assembly	1	K5706
2	R18270-7	Barrel Assembly	1	K5707
2	R18395-7	Barrel Assembly	1	K5707M
2	R18270-8	Barrel Assembly	1	K5708, K5708A
2	R18395-8	Barrel Assembly	1	K5708M
2	R18270-9	Barrel Assembly	1	K5709
2	R18270-10	Barrel Assembly	1	K5710, K5710A
2	R18270-11	Barrel Assembly	1	K5711
2	R18270-13	Barrel Assembly	1	K5713

ITEM	PART NUMBER	DESCRIPTION	QTY	MODEL
2	R18270-14	Barrel Assembly	1	K5714
2	R18270-15	Barrel Assembly	1	K5715
2	R18270-18	Barrel Assembly	1	K5718
2	R18270-19	Barrel Assembly	1	K5719
2	R18270-21	Barrel Assembly	1	K5721
2	R18270-23	Barrel Assembly	1	K5723
2	R18270-24	Barrel Assembly	1	K5724
2	R18270-26	Barrel Assembly	1	K5726
2	R18270-30	Barrel Assembly	1	K5730
2	R18270-32	Barrel Assembly	1	K5732
2	R18270-35	Barrel Assembly	1	K5735
2	R18270-38	Barrel Assembly	1	K5738
2	R18270-39	Barrel Assembly	1	K5739
3	R9085-2	Piston Assembly	1	K5702, K5702A
3	R9085-3	Piston Assembly	1	K5703
3	R9085-5	Piston Assembly	1	K5705
3	R9085-6	Piston Assembly	1	K5706
3	R9085-7	Piston Assembly	1	K5707, K5707M
3	R9085-8	Piston Assembly	1	K5708, K5708A, K5708M
3	R9085-9	Piston Assembly	1	K5709
3	R9085-10	Piston Assembly	1	K5710, K5710A
3	R9085-11	Piston Assembly	1	K5711
3	R9085-13	Piston Assembly	1	K5713
3	R9085-14	Piston Assembly	1	K5714
3	R9085-15	Piston Assembly	1	K5715
3	R9085-18	Piston Assembly	1	K5718
3	R9085-19	Piston Assembly	1	K5719
3	R9085-21	Piston Assembly	1	K5721
3	R9085-23	Piston Assembly	1	K5723
3	R9085-24	Piston Assembly	1	K5724
3	R9085-26	Piston Assembly	1	K5726
3	R9085-30	Piston Assembly	1	K5730
3	R9085-32	Piston Assembly	1	K5732
3	R9085-35	Piston Assembly	1	K5735
3	R9085-38	Piston Assembly	1	K5738
3	R9085-39	Piston Assembly	1	K5739

ITEM	PART NUMBER	DESCRIPTION	QTY	MODEL
4*	----	Wiper	1	ALL
5*	----	Seal	1	
6	R9012	Wear Ring	2	
7	K910	"O"Ring	1	
8	R8452	Flow Protector	1	
8	R13826	Flow Protector	1	K5707M & K5708M
9	K62-12-10	Male Connector	1	
10	R2211-9	Lockwire	1	
11*	----	Seal	1	
12	R2551	Screw, Button Head	1	
13	R9013	Wear Ring	1	
14*	----	"O"Ring	1	
15*	----	Backup Ring	1	
16	R9076	Base	1	
17	R18265K	Seal Kit	1	
17	R18340K	Seal Kit	1	K5707M & K5708M

* Items included in Seal Kit, (Item 17).

SECONDARY CYLINDER ASSEMBLY



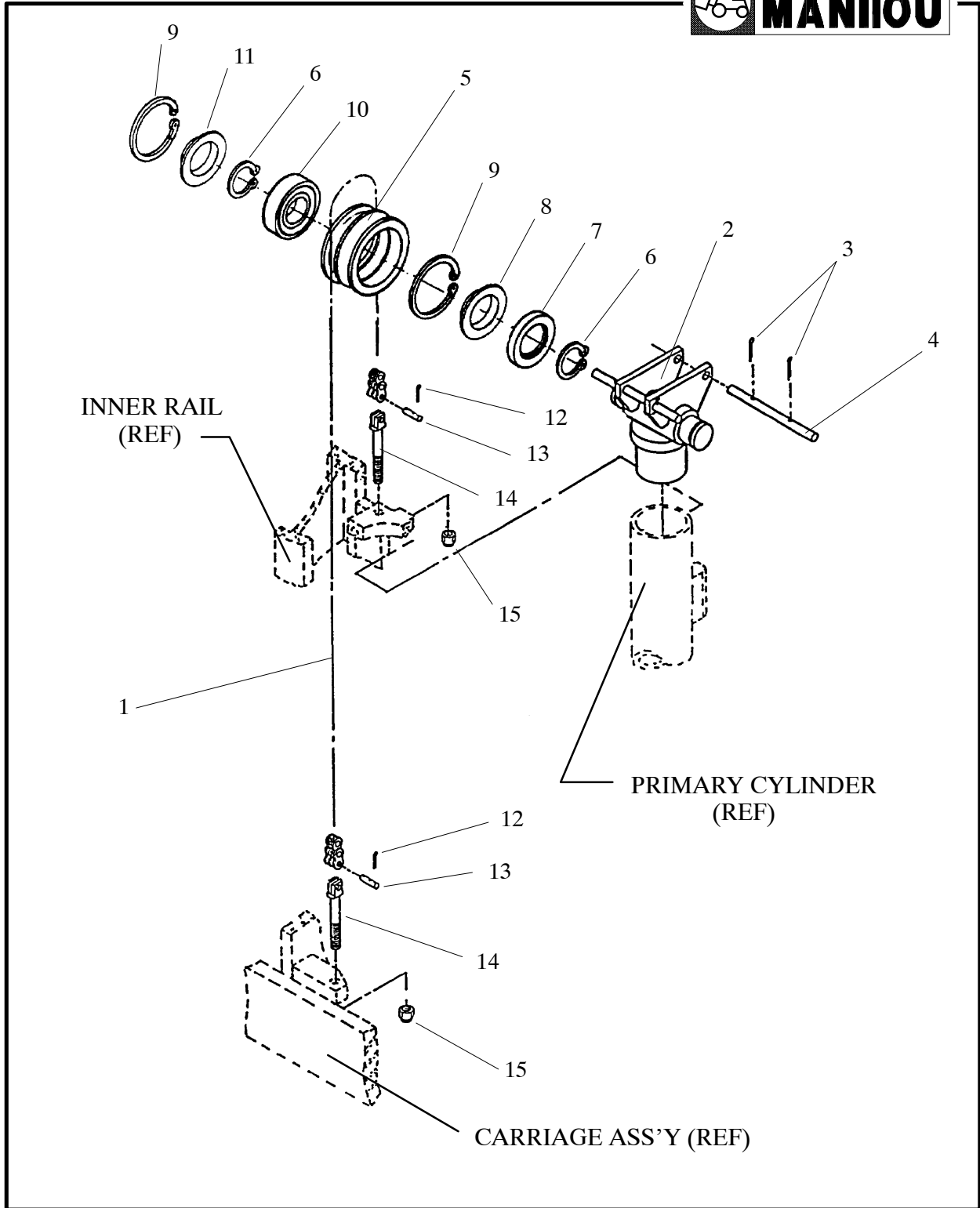
ITEM	PART NUMBER	DESCRIPTION	QTY	MODEL
1	R18275-2	Secondary Cylinder Assembly	2	K5702
1	R18275-40	Secondary Cylinder Assembly	2	K5702A
1	R18275-3	Secondary Cylinder Assembly	2	K5703
1	R18275-5	Secondary Cylinder Assembly	2	K5705
1	R18275-6	Secondary Cylinder Assembly	2	K5706
1	R18275-7	Secondary Cylinder Assembly	2	K5707
1	R18090-7	Secondary Cylinder Assembly	2	K5707M
1	R18275-8	Secondary Cylinder Assembly	2	K5708
1	R18275-08A	Secondary Cylinder Assembly	2	K5708A
1	R18090-8	Secondary Cylinder Assembly	2	K5708M
1	R18275-9	Secondary Cylinder Assembly	2	K5709
1	R18275-10	Secondary Cylinder Assembly	2	K5710
1	R18275-38	Secondary Cylinder Assembly	2	K5710A
1	R18275-11	Secondary Cylinder Assembly	2	K5711
1	R18275-13	Secondary Cylinder Assembly	2	K5713
1	R18275-14	Secondary Cylinder Assembly	2	K5714
1	R18275-18	Secondary Cylinder Assembly	2	K5718
1	R18275-19	Secondary Cylinder Assembly	2	K5719
1	R18275-21	Secondary Cylinder Assembly	2	K5721
1	R18275-23	Secondary Cylinder Assembly	2	K5723
1	R18275-24	Secondary Cylinder Assembly	2	K5724
1	R18275-26	Secondary Cylinder Assembly	2	K5726
1	R18275-30	Secondary Cylinder Assembly	2	K5730
1	R18275-32	Secondary Cylinder Assembly	2	K5732
1	R18275-35	Secondary Cylinder Assembly	2	K5735
1	R18275-70	Secondary Cylinder Assembly	2	K5738
1	R18275-39	Secondary Cylinder Assembly	2	K5739
2	R18280-2	Barrel Assembly	1	K5702, K5702A
2	R18280-3	Barrel Assembly	1	K5703
2	R18280-5	Barrel Assembly	1	K5705
2	R18280-6	Barrel Assembly	1	K5706
2	R18280-7	Barrel Assembly	1	K5707, K5707M
2	R18280-8	Barrel Assembly	1	K5708, K5708A, K5708M
2	R18280-9	Barrel Assembly	1	K5709
2	R18280-10	Barrel Assembly	1	K5710, K5710A
2	R18280-11	Barrel Assembly	1	K5711
2	R18280-13	Barrel Assembly	1	K5713

ITEM	PART NUMBER	DESCRIPTION	QTY	MODEL
2	R18280-14	Barrel Assembly	1	K5714
2	R18280-18	Barrel Assembly	1	K5718
2	R18280-19	Barrel Assembly	1	K5719
2	R18280-21	Barrel Assembly	1	K5721
2	R18280-23	Barrel Assembly	1	K5723
2	R18280-24	Barrel Assembly	1	K5724
2	R18280-26	Barrel Assembly	1	K5726
2	R18280-30	Barrel Assembly	1	K5730
2	R18280-32	Barrel Assembly	1	K5732
2	R18280-35	Barrel Assembly	1	K5735
2	R18280-38	Barrel Assembly	1	K5738
2	R18280-39	Barrel Assembly	1	K5739
3	R9105-2	Piston Assembly	1	K5702
3	R9105-78	Piston Assembly	1	K5702A
3	R9105-3	Piston Assembly	1	K5703
3	R9105-5	Piston Assembly	1	K5705
3	R9105-6	Piston Assembly	1	K5706
3	R9105-7	Piston Assembly	1	K5707, K5707M
3	R9105-8	Piston Assembly	1	K5708, K5708M
3	R9105-08A	Piston Assembly	1	K5708A
3	R9105-9	Piston Assembly	1	K5709
3	R9105-10	Piston Assembly	1	K5710
3	R9105-50	Piston Assembly	1	K5710A
3	R9105-11	Piston Assembly	1	K5711
3	R9105-13	Piston Assembly	1	K5713
3	R9105-14	Piston Assembly	1	K5714
3	R9105-18	Piston Assembly	1	K5718
3	R9105-19	Piston Assembly	1	K5719
3	R9105-21	Piston Assembly	1	K5721
3	R9105-23	Piston Assembly	1	K5723
3	R9105-24	Piston Assembly	1	K5724
3	R9105-26	Piston Assembly	1	K5726
3	R9105-30	Piston Assembly	1	K5730
3	R9105-32	Piston Assembly	1	K5732
3	R9105-35	Piston Assembly	1	K5735
3	R9105-76	Piston Assembly	1	K5738
3	R9105-77	Piston Assembly	1	K5739

ITEM	PART NUMBER	DESCRIPTION	QTY	MODEL
4*	----	Seal	1	ALL
5*	----	Wiper	1	
6	R9037	Wear Ring	2	
7	R2551	Button Head Screw	1	
8*	----	Seal	1	
9	R9038	Wear Ring	1	
10*	----	"O"Ring	1	
11*	----	Backup Ring	1	
12	R9096	Base	1	
12	R18181	Base	1	K5707M & K5708M
13	R2211-8	Lockwire	1	
14	R18275K	Seal Kit	1	
14	R18090K	Seal Kit	1	K5707M & K5708M

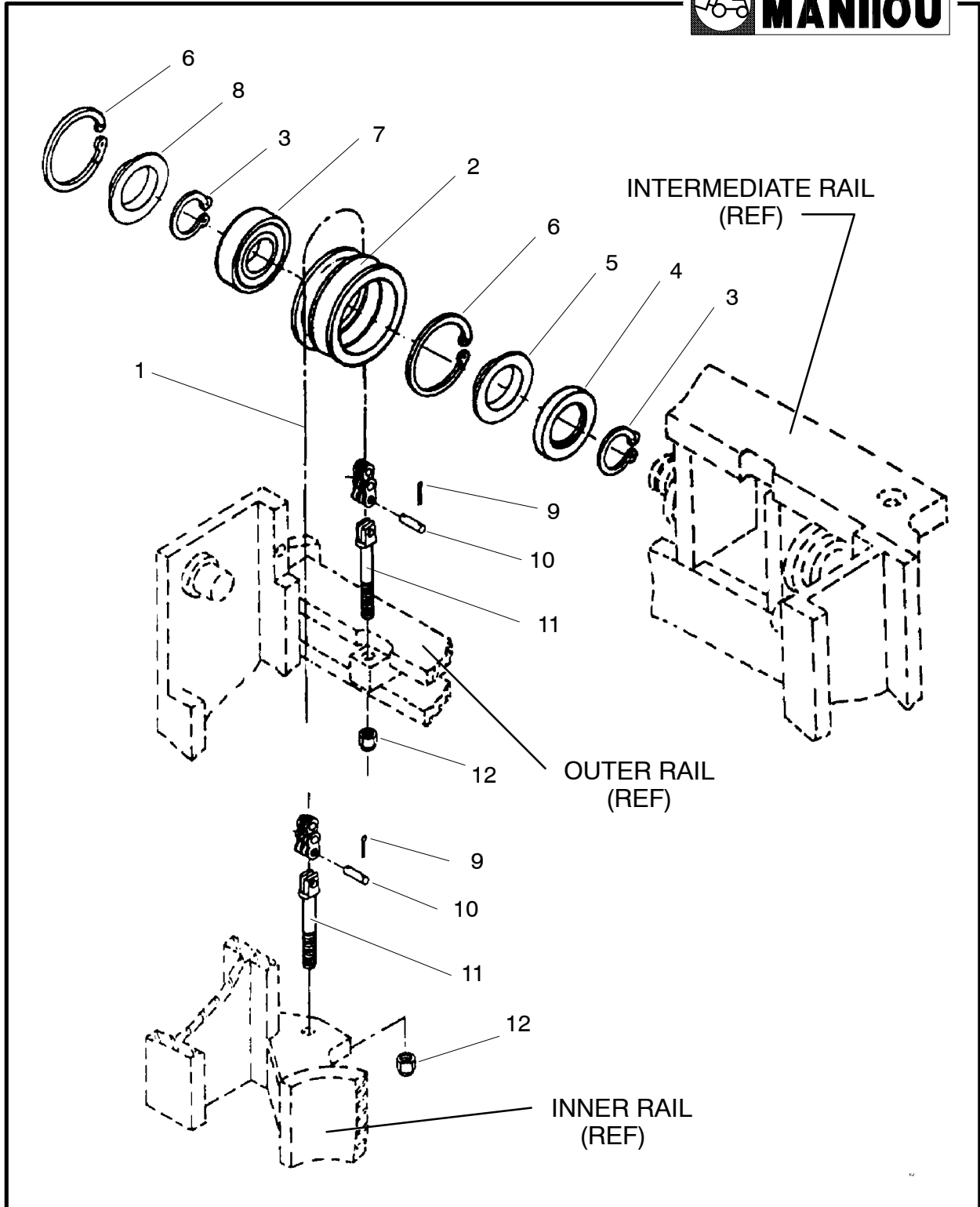
* Items Included In Seal Kit (Item 14).

PRIMARY CHAIN SYSTEM



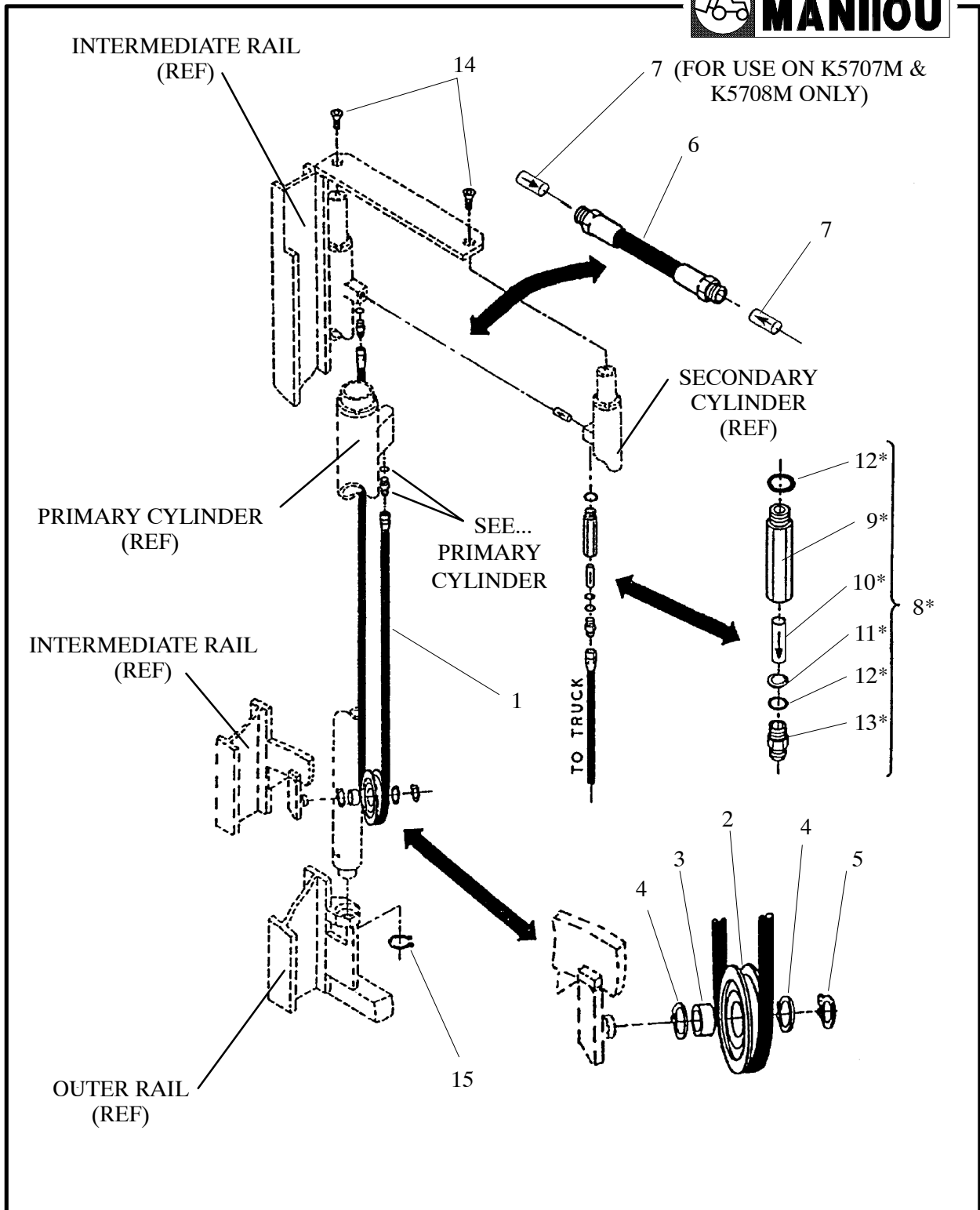
ITEM	PART NUMBER	DESCRIPTION	QTY	MODEL
1	R34-31	Primary Chain Assembly	2	K5702, K5702A
1	R34-32	Primary Chain Assembly	2	K5703
1	R34-33	Primary Chain Assembly	2	K5705
1	R34-34	Primary Chain Assembly	2	K5706
1	R34-35	Primary Chain Assembly	2	K5707, K5707M
1	R34-35	Primary Chain Assembly	2	K5708, K5707A, K5707M
1	R34-36	Primary Chain Assembly	2	K5709
1	R34-37	Primary Chain Assembly	2	K5710
1	R34-36	Primary Chain Assembly	2	K5710A
1	R34-37	Primary Chain Assembly	2	K5711
1	R34-39	Primary Chain Assembly	2	K5713
1	R34-39	Primary Chain Assembly	2	K5714
1	R34-40	Primary Chain Assembly	2	K5715
1	R34-42	Primary Chain Assembly	2	K5718
1	R34-43	Primary Chain Assembly	2	K5719
1	R34-44	Primary Chain Assembly	2	K5721
1	R34-45	Primary Chain Assembly	2	K5723
1	R34-46	Primary Chain Assembly	2	K5724
1	R34-47	Primary Chain Assembly	2	K5726
1	R34-25	Primary Chain Assembly	2	K5730
1	R34-11	Primary Chain Assembly	2	K5732
1	R34-49	Primary Chain Assembly	2	K5735
1	R34-78	Primary Chain Assembly	2	K5738
1	R34-79	Primary Chain Assembly	2	K5739
2	R17660	Crosshead Assembly	1	ALL
3	K72053	Cotter Pin	2	
4	R17643	Chain Retainer	2	
5	R9153	Chain Sheave	2	
6	K97538	Snap Ring	2	
7	R17658	Spacer	2	
8	R9094	Seal Ring	2	
9	R9089	Snap Ring	4	
10	R9098	Bearing	2	
11	R9099	Grease Shield	2	
12	K72004	Cotter Pin	8	
13	R9054	Chain Pin	4	
14	R9053	Chain Anchor	4	
15	R227	Stop Nut	4	

SECONDARY CHAIN SYSTEM



ITEM	PART NUMBER	DESCRIPTION	QTY	MODEL
1	R34-18	Secondary Chain Assembly	2	K5702, K5702A
1	R34-48	Secondary Chain Assembly	2	K5703
1	R34-49	Secondary Chain Assembly	2	K5705
1	R34-49	Secondary Chain Assembly	2	K5706
1	R34-51	Secondary Chain Assembly	2	K5707, K5707M
1	R34-51	Secondary Chain Assembly	2	K5708, K5708A, K5708M
1	R34-7	Secondary Chain Assembly	2	K5709
1	R34-7	Secondary Chain Assembly	2	K5710, K5710A
1	R34-53	Secondary Chain Assembly	2	K5711
1	R34-55	Secondary Chain Assembly	2	K5713
1	R34-30	Secondary Chain Assembly	2	K5714
1	R34-08	Secondary Chain Assembly	2	K5715
1	R34-57	Secondary Chain Assembly	2	K5718
1	R34-58	Secondary Chain Assembly	2	K5719
1	R34-19	Secondary Chain Assembly	2	K5721
1	R34-60	Secondary Chain Assembly	2	K5723
1	R34-20	Secondary Chain Assembly	2	K5724
1	R34-61	Secondary Chain Assembly	2	K5726
1	R34-15	Secondary Chain Assembly	2	K5730
1	R34-64	Secondary Chain Assembly	2	K5732
1	R34-67	Secondary Chain Assembly	2	K5735
1	R34-43	Secondary Chain Assembly	2	K5738
1	R34-38	Secondary Chain Assembly	2	K5739
2	R9153	Chain Roller Assembly	2	ALL
3	K97538	Snap Ring	2	
4	R17658	Spacer	2	
5	R9094	Seal Ring	2	
6	R9089	Snap Ring	4	
7	R9098	Bearing	2	
8	R9099	Grease Shield	2	
9	K72004	Cotter Pin	8	
10	R9054	Chain Pin	4	
11	R9053	Chain Anchor	4	
12	R227	Stop Nut	4	

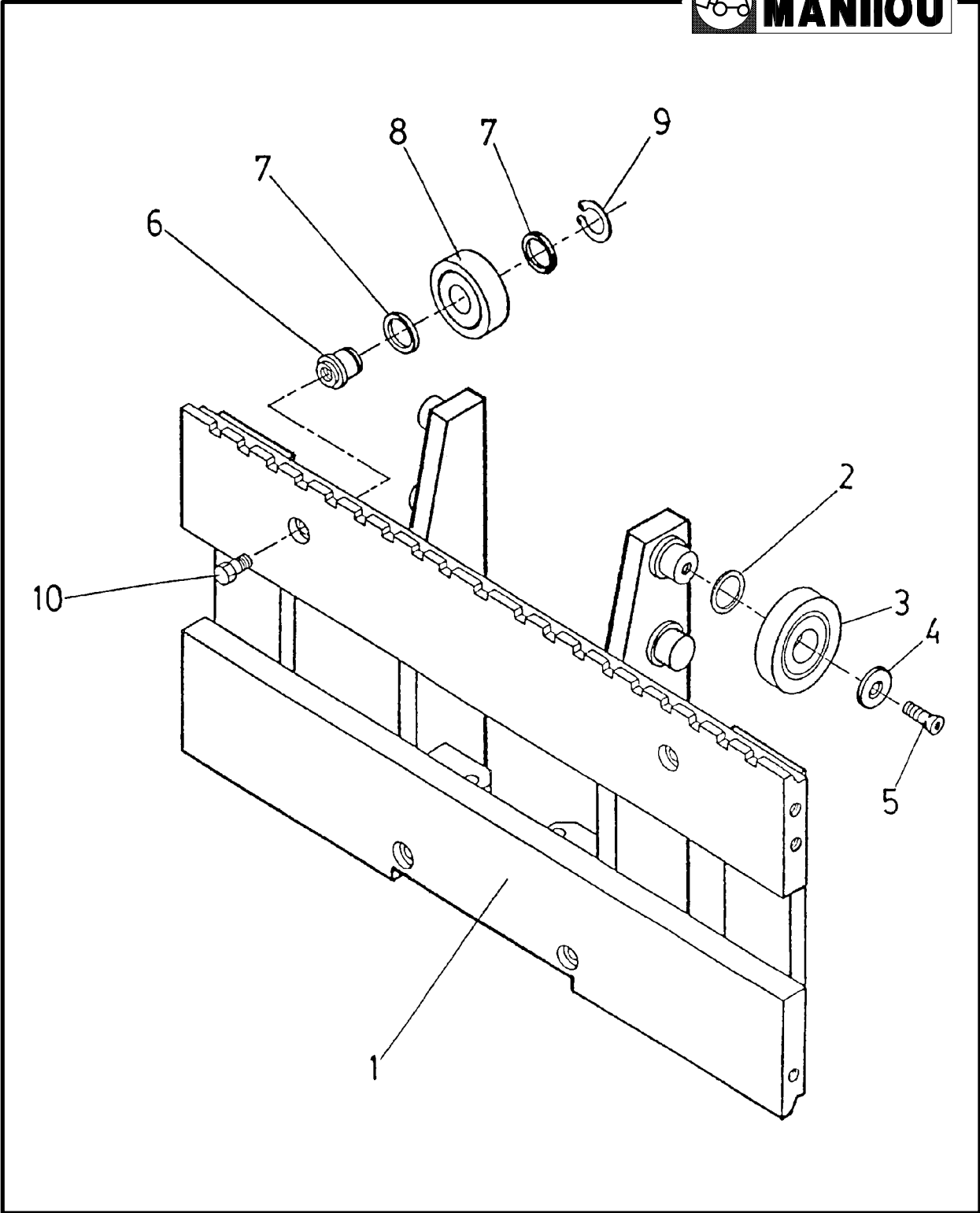
HYDRAULIC SYSTEM



ITEM	PART NUMBER	DESCRIPTION	QTY	MODEL
1	B760-1033	Hose Assembly	1	K5702, K5702A
1	B760-1034	Hose Assembly	1	K5703
1	B760-1036	Hose Assembly	1	K5705
1	B760-1037	Hose Assembly	1	K5706
1	B760-1038	Hose Assembly	1	K5707, K5707M
1	B760-1039	Hose Assembly	1	K5708, K5708A, K5708M
1	B760-1040	Hose Assembly	1	K5709
1	B760-1041	Hose Assembly	1	K5710, K5710A
1	B760-1042	Hose Assembly	1	K5711
1	B760-1044	Hose Assembly	1	K5713
1	B760-1045	Hose Assembly	1	K5714
1	B760-1046	Hose Assembly	1	K5715
1	B760-1049	Hose Assembly	1	K5718
1	B760-1050	Hose Assembly	1	K5719
1	B760-1052	Hose Assembly	1	K5721
1	B760-1054	Hose Assembly	1	K5723
1	B760-1055	Hose Assembly	1	K5724
1	B760-1057	Hose Assembly	1	K5726
1	B760-1061	Hose Assembly	1	K5730
1	B760-1063	Hose Assembly	1	K5732
1	B760-1066	Hose Assembly	1	K5735
1	B760-1454	Hose Assembly	1	K5738
1	B760-1676	Hose Assembly	1	K5739
2	R12367	Hose Sheave	1	
3	R2362	Bearing	1	
4	R7332	Snap Ring	2	
5	R7333	Snap Ring	1	
6	R19511	Hose Assembly	1	
7	R9042	Flow Protector	1 (Qty. 2 for K5707M / K5708M)	
8*	R12390	Flow Regulator Assembly	1	
9*	R13396	Regulator Body	1	
10*	R9417	Flow Regulator	1	
11*	K97615	Snap Ring	1	
12*	K912	"O"Ring	2	
13*	K62-12	Adapter	1	
14	R4858	Screw	2	
15	K97537	Snap Ring	2	

* Not for use on K5707M or K5708M, see "Military Mast Kit".

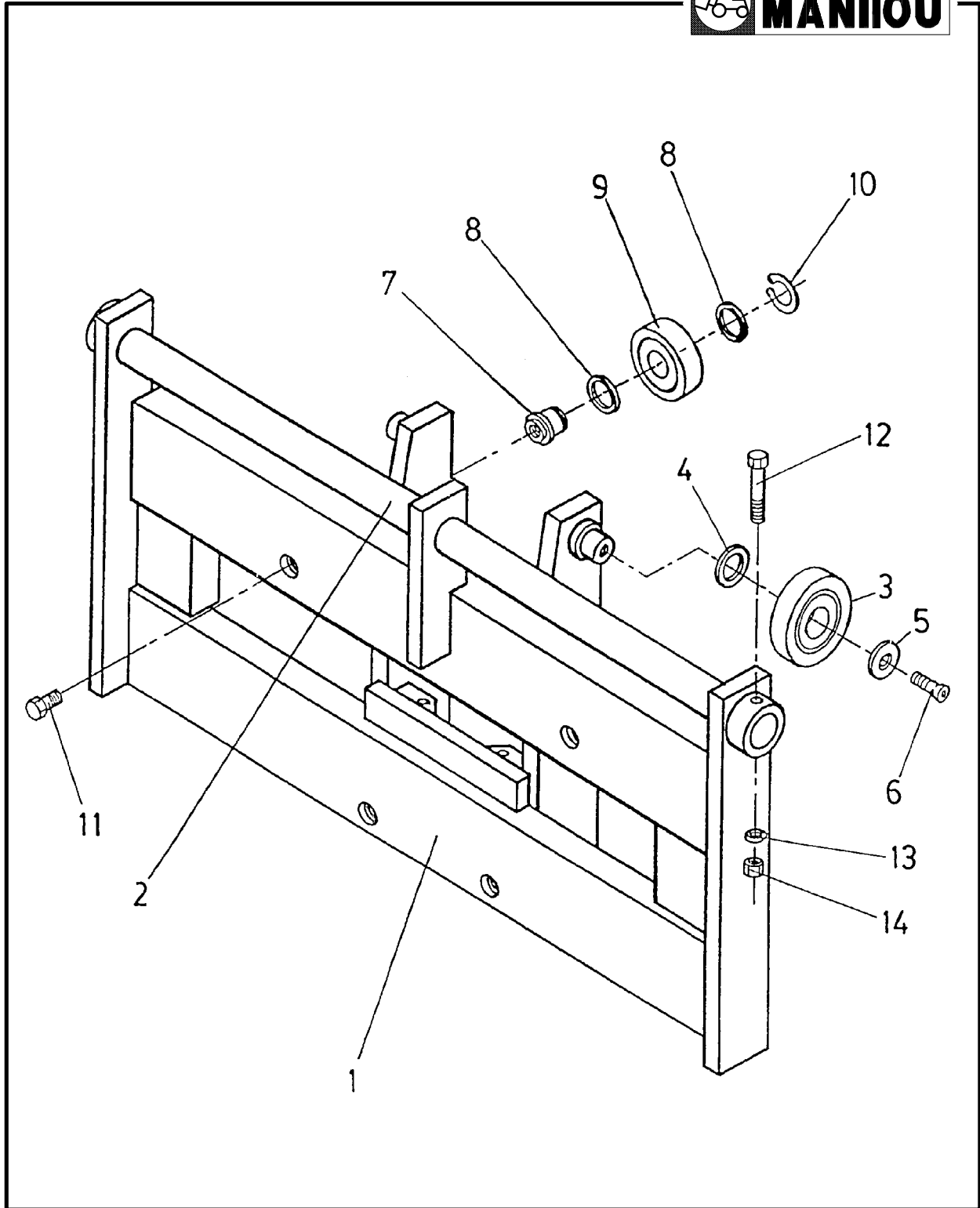
CARRIAGE, MODELS K5790-K5797



ITEM	PART NUMBER	DESCRIPTION	QTY	MODEL
1	R18390-1	Carriage Weldment	1	K5790
1	R19485-1	Carriage Weldment	1	K5792
1	R17640-2	Carriage Weldment	1	K5793
1	R18325-1	Carriage Weldment	1	K5794
1	R18325-2	Carriage Weldment	1	K5795
1	R17640-1	Carriage Weldment	1	K5796
1	R17640-3	Carriage Weldment	1	K5797
2	R206	Shim	A/R	
3	R1*	Roller	6	
4	R2389	Washer	2	
5	R1811	Flat Head Screw	2	
6	R3561	Eccentric Shaft	4	
7	R206	Shim	8	
8	R3595	Roller Assembly	4	
9	K97535	Snap Ring	4	
10	R3564	Lock Bolt	4	

* Also available for replacement of R1 is a 0.015" Over-Sized Roller, order Part No. R442.

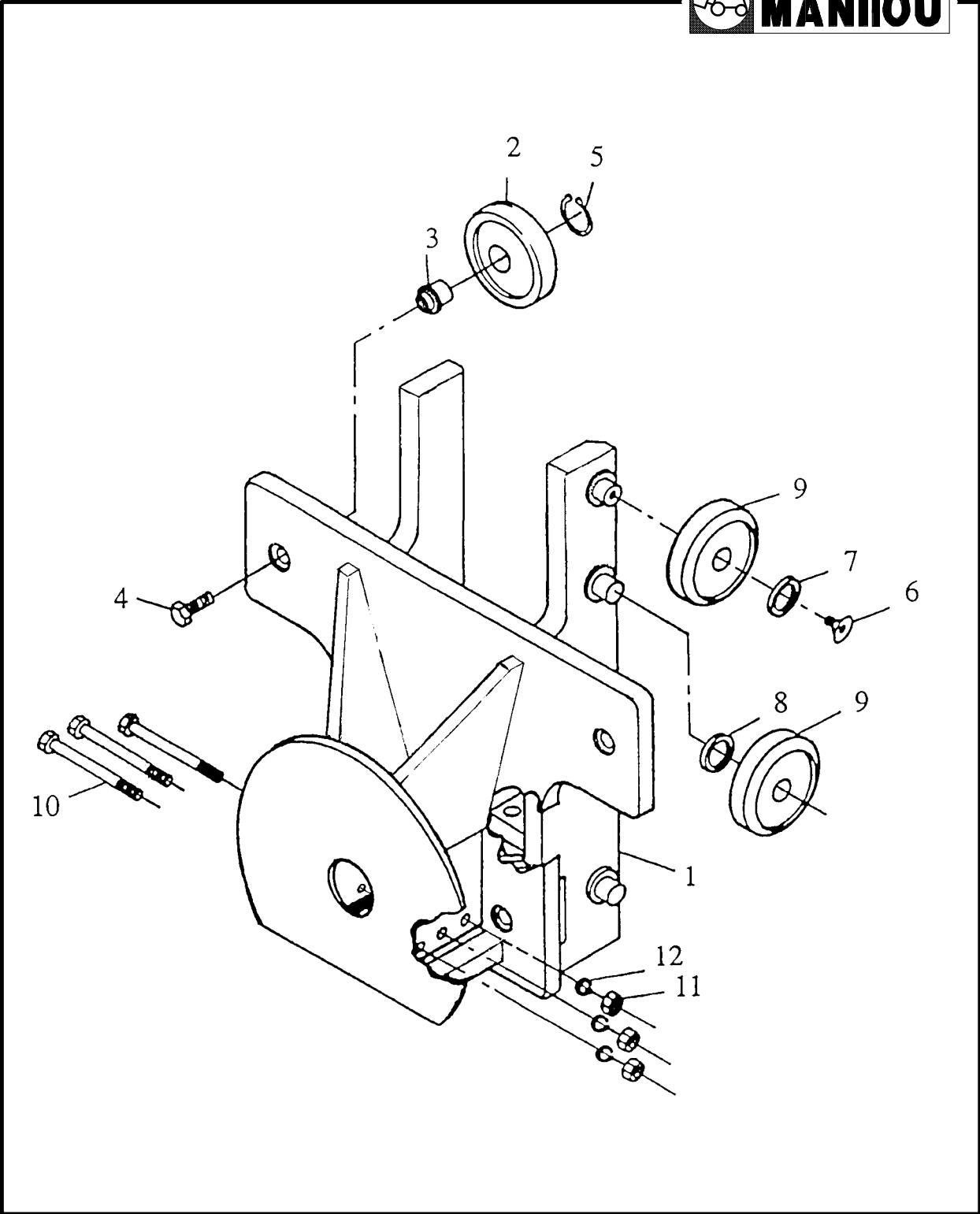
CARRIAGE, MODELS K5798 & K5799



ITEM	PART NUMBER	DESCRIPTION	QTY	MODEL
1	R18650-1	Carriage Weldment	1	K5798
1	R18755-1	Carriage Weldment	1	K5799
2	R2656-7	Implement Bar	1	
3	R1*	Roller	6	
4	R206	Shim	A/R	
5	R2389	Washer	2	
6	R1811	Flat Head Screw	2	
7	R3561	Eccentric Shaft	4	
8	R206	Shim	8	
9	R3595	Roller Assembly	4	
10	K97535	Snap Ring	4	
11	R3564	Lock Bolt	4	
12	K45534	Hex Bolt	1	
13	K34807	Lock Washer	1	
14	K33799	Hex Nut	1	

* Also available for replacement of R1 is a 0.015" Over-Sized Roller, order Part No. R442.

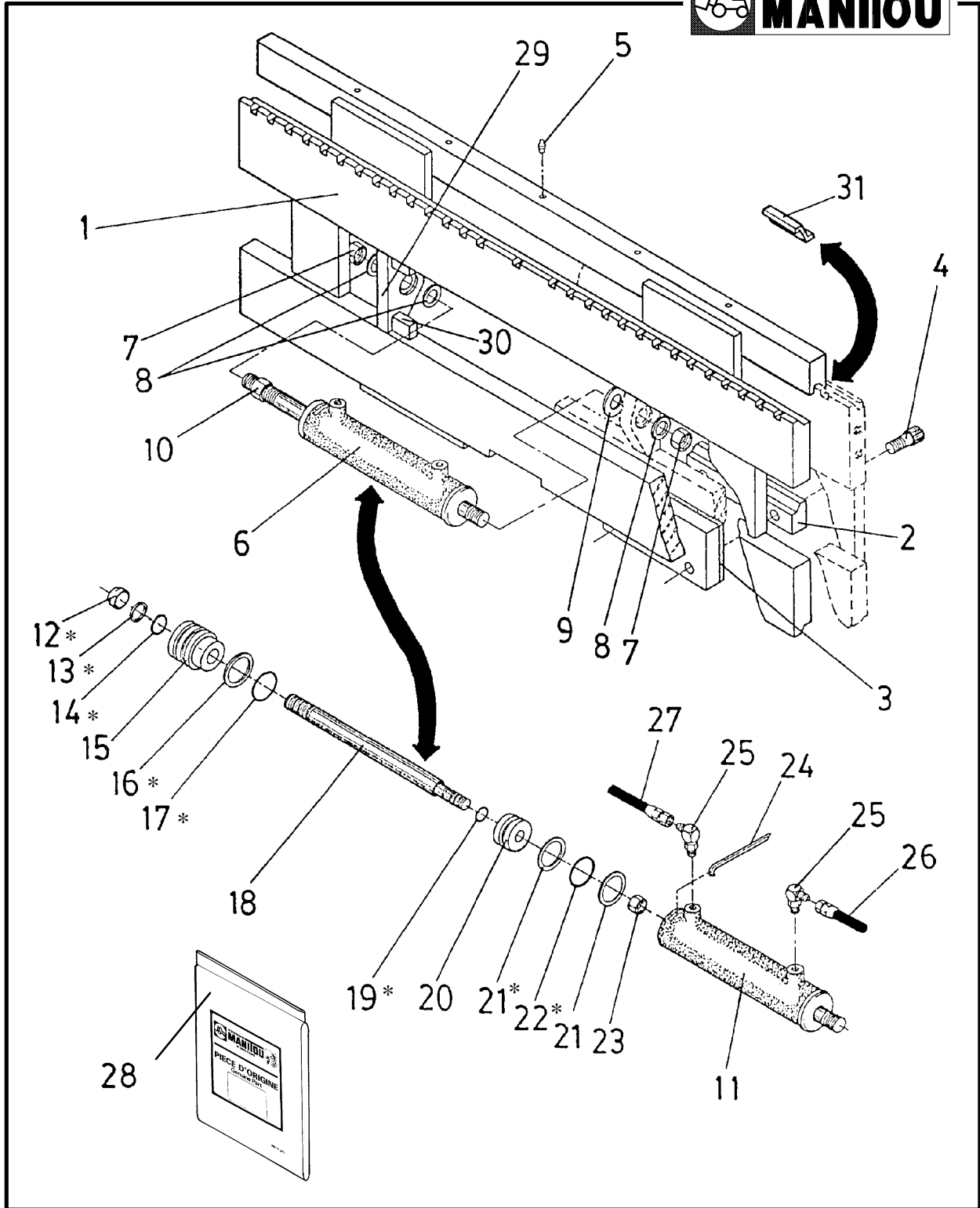
CARRIAGE, MODEL K5789



ITEM	PART NUMBER	DESCRIPTION	QTY	MODEL
1	R22065	Carriage Weldment	1	K5789
2	R3595	Roller	4	
3	R3561	Shaft, Eccentric	4	
4	R3564	Bolt, Lock	4	
5	K97535	Ring, Snap	4	
6	R1811	Screw	2	
7	R2389	Washer	2	
8	R206	Shim	A/R	
9	R1*	Roller	6	
10	K45914	Bolt, Hex	3	
11	K34674	Nut, Hex	3	
12	K34813	Washer, Lock	3	

* Also available for replacement of R1 is a 0.015" Over-Sized Roller, order Part No. R442.

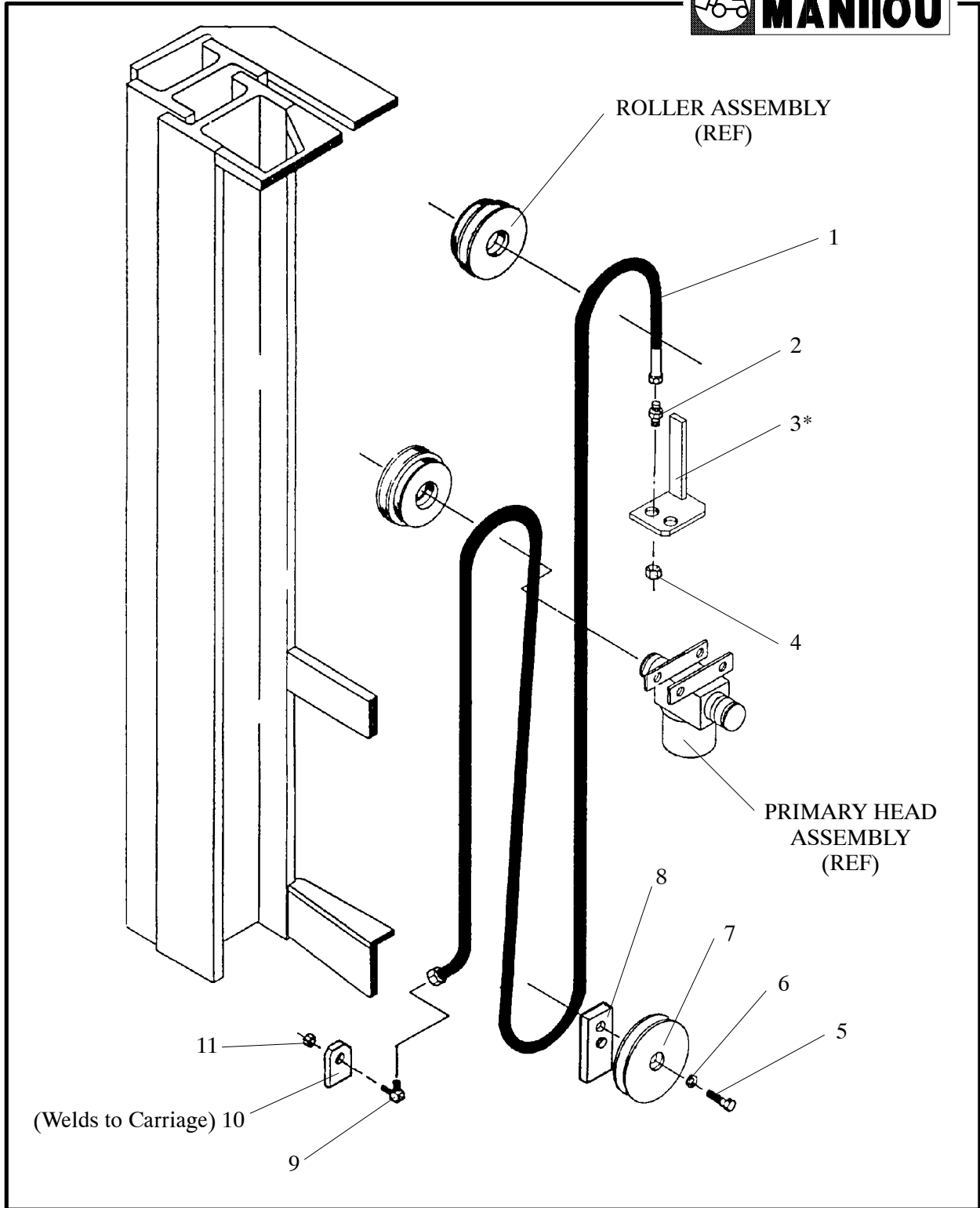
SIDE SHIFT CARRIAGE ASSEMBLY



ITEM	PART NUMBER	DESCRIPTION	QTY	MODEL
1	R15175-2	Side Shift Assembly	1	K1479
2	R8251	Lower Clip	2	
3	R8252	Wear Strip	2	
4	K302243	Sckt. Hd. Screw 5/8-11 x 1-1/4	2	
5	K87901	Grease Fitting	3	
6	R15115	Side Shift Cylinder Assembly	1	
7	R10377	Hex Nut	2	
8	R15102	Washer	3	
9	R15103	Washer	1	
10	K71B1393	Jam Nut	1	
11	R15120	Barrel Assembly	1	
12*	-----	Wiper	1	
13*	-----	Back Up Ring	1	
14*	-----	"O"Ring	1	
15	R8260-9	Cylinder Head	1	
16*	-----	Back Up Ring	1	
17*	-----	"O"Ring	1	
18	R15116	Piston Rod	1	
19*	-----	"O"Ring	1	
20	R8260-4	Piston	1	
21*	-----	Back Up Ring	2	
22*	-----	"O"Ring	1	
23	R8260-5	Lock Nut	1	
24	R8260-2	Lock Wire	1	
25	K66-6	Fitting	2	
26	B760-1023	Hose Assembly	1	
27	B760-22	Hose Assembly	1	
28	R8260-10	Seal Kit	1	
29	R15178	Cylinder Lug	1	
30	R12207-20	Bar	2	
31	R8257	Bronze Segment	7	

* Items included is Seal Kit R8260-10 (Item 28).

HOSE KIT, MODEL K5776

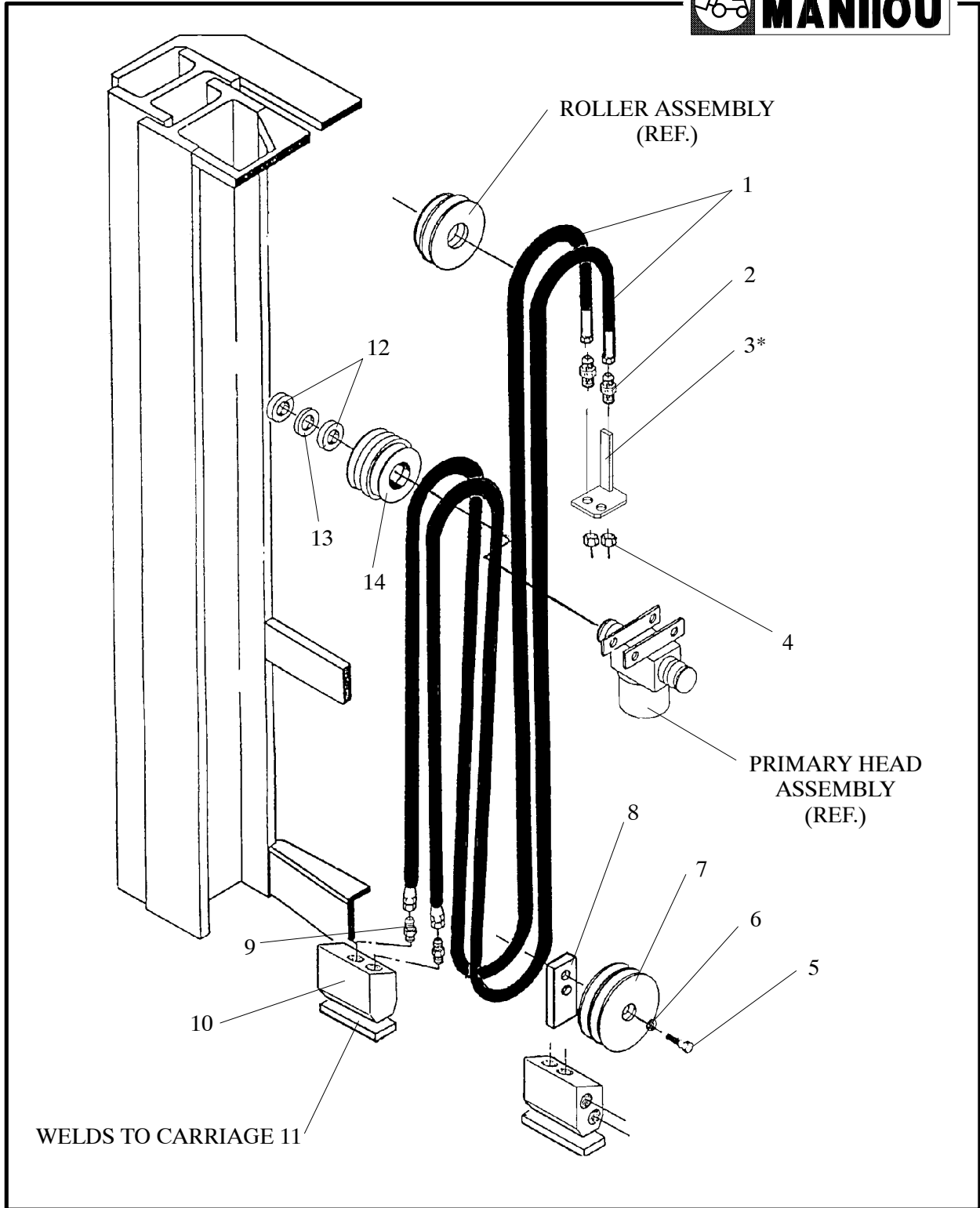


ITEM	PART NUMBER	DESCRIPTION	QTY	MODEL
	K5776-2	Hose Kit Assembly	1	K5702
	K5776-5	Hose Kit Assembly	1	K5705
	K5776-6	Hose Kit Assembly	1	K5706
	K5776-8	Hose Kit Assembly	1	K5708
	K5776-9	Hose Kit Assembly	1	K5709
	K5776-10	Hose Kit Assembly	1	K5710
	K5776-13	Hose Kit Assembly	1	K5713
	K5776-14	Hose Kit Assembly	1	K5714
	K5776-19	Hose Kit Assembly	1	K5719
	K5776-30	Hose Kit Assembly	1	K5730
1*	B760-1368	Hose Assembly	1	K5702
1*	B760-1371	Hose Assembly	1	K5705
1*	B760-1372	Hose Assembly	1	K5706
1*	B760-1374	Hose Assembly	1	K5708
1*	B760-1376	Hose Assembly	1	K5710
1*	B760-1396	Hose Assembly	1	K5730
1**	B760-1568	Hose Assembly	1	K5702
1**	B760-1571	Hose Assembly	1	K5705
1**	B760-1572	Hose Assembly	1	K5706
1**	B760-1574	Hose Assembly	1	K5708
1**	B760-1575	Hose Assembly	1	K5709
1**	B760-1576	Hose Assembly	1	K5710
1**	B760-1579	Hose Assembly	1	K5713
1**	B760-1580	Hose Assembly	1	K5714
1**	B760-1585	Hose Assembly	1	K5719
1**	B760-1596	Hose Assembly	1	K5730
2	K104-6	Fitting	2	
3*	R19630L	Hose Anchor (Shown)	1	
3*	R19630R	Hose Anchor (Opposite Side)	1	
4	K52-6	Nut	4	
5	K20388	Hex Bolt	2	
6	K34807	Lock Washer 3/8	2	
7	R9154	Hose Guide	1	
8	R17641	Turn Around Plate	2	
10	R17671	Hose Anchor	2	
11	K108-6	Fitting, 90 ⁰ Elbow	2	

* For use with Serial Numbers 570165 & below.

** For use with Serial Numbers 570166 & above.

HOSE KIT, MODEL K5777

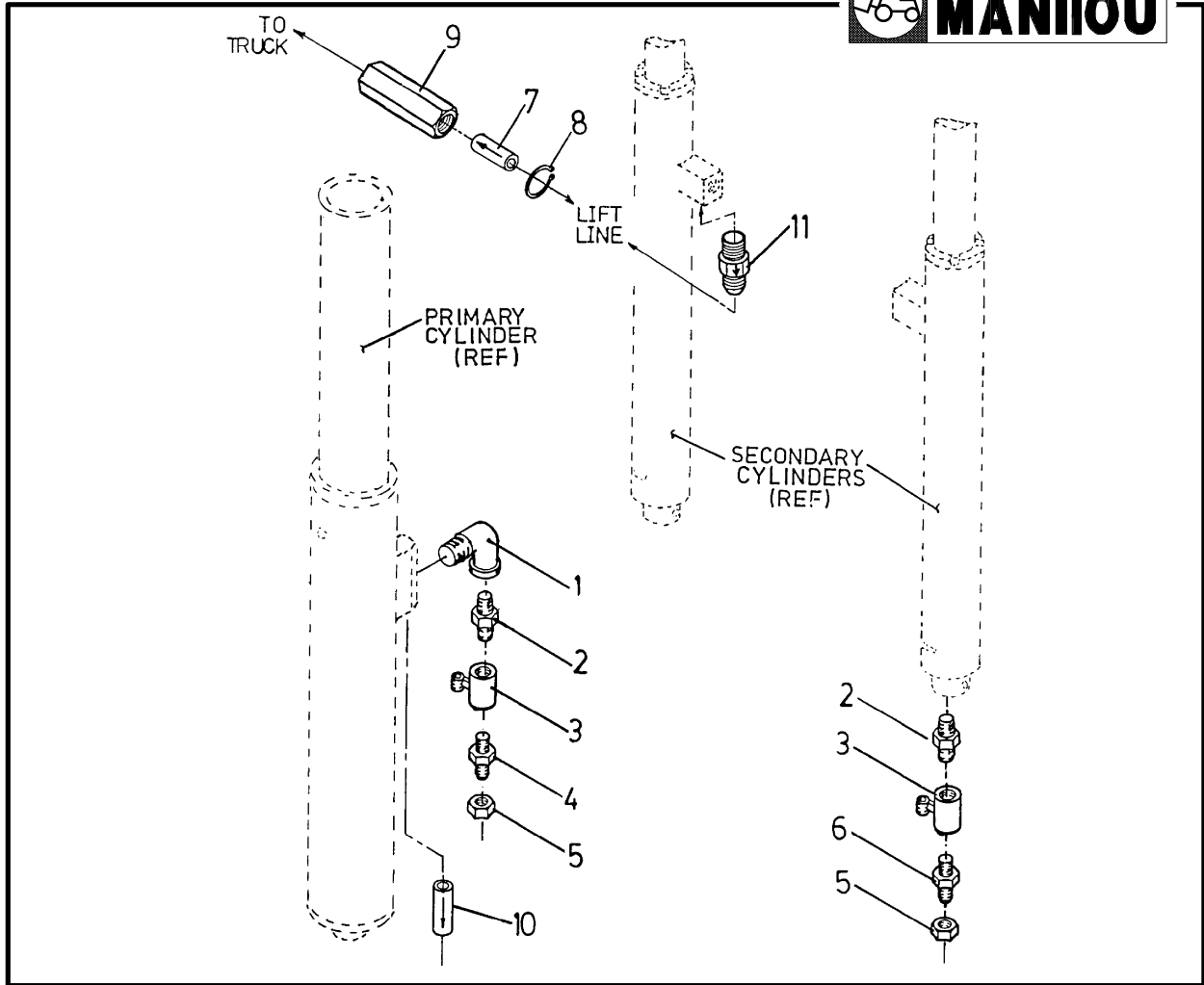


ITEM	PART NUMBER	DESCRIPTION	QTY	MODEL
	K5777-8	Hose Kit	1	K5708
	K5777-11	Hose Kit	1	K5711
	K5777-13	Hose Kit	1	K5713
	K5777-14	Hose Kit	1	K5714
	K5777-38	Hose Kit	1	K5738
1*	B760-1374	Hose Assembly	1	K5708
1*	B760-1377	Hose Assembly	1	K5711
1*	B760-1455	Hose Assembly	1	K5738
1**	B760-1574	Hose Assembly	1	K5708
1**	B760-1577	Hose Assembly	1	K5711
1**	B760-1579	Hose Assembly	1	K5713
1**	B760-1580	Hose Assembly	1	K5714
1**	B760-1602	Hose Assembly	1	K5738
2	K104-6	St. Bulkhead	4	
3*	R19630L	Hose Anchor (Shown)	1	
3*	R19630R	Hose Anchor (Opposite Side)	1	
4	K52-6	Nut	4	
5	K34807	Lockwasher	2	
6	K20388	Hex Bolt	2	
7	R18963	Hose Sheave	2	
8	R17641	Turn Around Plate	2	
9	K62-6	Connector	4	
10	R14028	R.H. Manifold (Shown)	1	
10	R14029	L.H. Manifold (Opposite Side)	1	
11	R4613-3	Bar	2	
12	R18962	Spacer	4	
13	R9098	Bearing	4	
14	R18964	Chain Roller	4	

* For use with Serial Numbers 570165 & below.

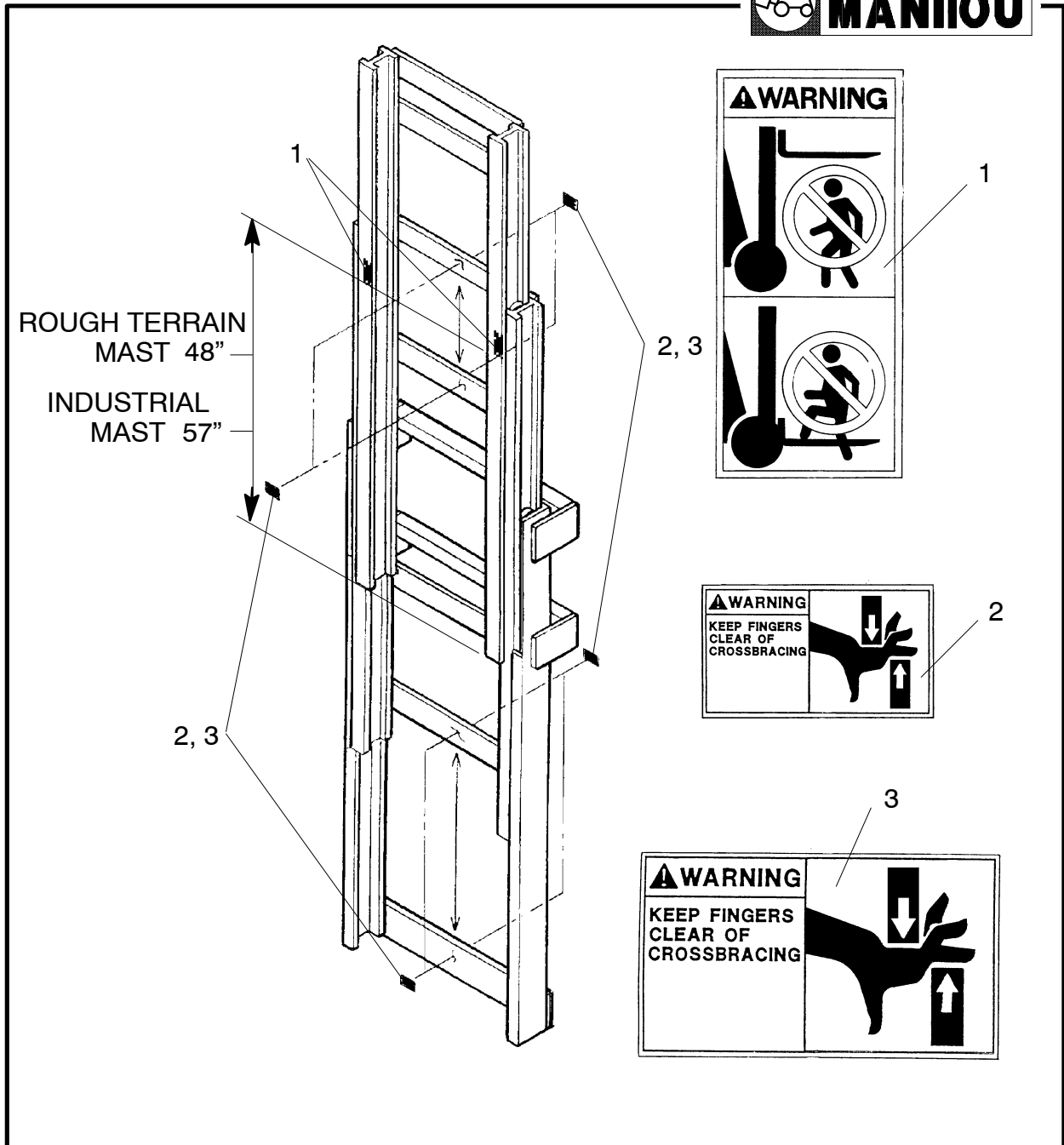
** For use with Serial Numbers 570166 & above.

MILITARY MAST KIT



ITEM	PART NUMBER	DECSRIPTION	QTY	MODEL
1	R18613	Elbow	1	ALL
2	R18614	Union	3	
3	R18211	Check Valve	3	
4	K2-6-2	Union	1	
5	K16-6	Jam Nut	3	
6	R18213	Union	2	
7	R4792	Flow Regulator	1	
8	K97615	Snap Ring	1	
9	R13828	Flow Regulator Body	1	
10	R13826	Fuse, 25 GPM	1	
11	R13827	Fuse, 18 GPM	1	

DECALS



ITEM	PART NUMBER	DESCRIPTION	QTY	MODEL
1	426641	Decal, "Fork Safety"	2	ALL
2	426642	Decal, "Pinch Point" (Small)	A/R	
3	426643	Decal, "Pinch Point" (Large)	A/R	

PARTS INDEX
PART NO., PAGE

B

B760-, 19, 29, 31
B760-1023, 27
B760-22, 27

K

K104-6, 29, 31
K108-6, 29
K16-6, 32
K2-6-2, 32
K20388, 5, 29, 31
K302243, 27
K33799, 23
K34674, 25
K34807, 5, 23, 29, 31
K34813, 5, 25
K45534, 23
K45914, 25
K52-6, 29, 31
K5776-, 29
K5777-, 31
K62-12, 19
K62-12-10, 9
K62-6, 31
K66-6, 27
K71B1393, 27
K72004, 15, 17
K72053, 15
K87901, 27
K910, 9
K912, 19
K97535, 21, 23, 25
K97537, 19
K97538, 15, 17

K97615, 19, 32

R

R1, 5, 23, 25
R10377, 27
R12207-20, 27
R12367, 19
R12390, 19
R13396, 19
R13826, 9, 32
R13827, 32
R13828, 32
R14028, 31
R14029, 31
R15102, 27
R15103, 27
R15115, 27
R15116, 27
R15120, 27
R15175-2, 27
R17178, 27
R17605-, 3
R17625-, 3
R17640-1, 21
R17640-2, 21
R17640-3, 21
R17641, 29, 31
R17643, 15
R17650-, 4
R17658, 15, 17
R17660, 15
R17671, 29
R18090-, 11
R18090K, 13
R1811, 21, 23, 25
R18181, 13
R18211, 32

R18213, 32
R18265-, 7
R18265K, 9
R18270-, 7
R18275-, 11
R18275K, 13
R18280-, 11
R18325-1, 21
R18325-2, 21
R18340-, 7
R18340K, 9
R18390-1, 21
R18395-, 7
R18613, 32
R18614, 32
R18650-1, 23
R18755-1, 23
R18860-, 3
R18962, 31
R18963, 31
R18964, 31
R19485-1, 21
R19511, 19
R19630L, 29, 31
R19630R, 29, 31
R2, 5
R206, 5, 21, 23, 25
R22, 5
R22065, 25
R2211-8, 13
R2211-9, 9
R227, 15, 17
R2362, 19
R2389, 21, 23, 25
R2551, 9, 13
R2656-7, 23
R34-, 15, 17
R3561, 21, 23, 25

R3564, 21, 23, 25
R3595, 21, 23, 25
R442, 21
R4613-3, 31
R4792, 32
R4858, 19
R7332, 19
R7333, 19
R8251, 27
R8252, 27
R8257, 27
R8260-10, 27
R8260-2, 27
R8260-4, 27
R8260-5, 27
R8260-9, 27
R8452, 9
R9012, 9
R9013, 9
R9037, 13
R9038, 13
R9042, 19
R9053, 15, 17
R9054, 15, 17
R9076, 9
R9085-, 8
R9089, 15, 17
R9094, 15, 17
R9096, 13
R9098, 15, 17, 31
R9099, 15, 17
R9105-, 12
R9153, 15, 17
R9154, 29
R9155, 5
R9251, 5
R9417, 19