

**For Residential and Commercial Applications**

Job Name		Engineer / Architect	
Job Location		Wholesaler	
Submittal Date		Contractor	

## OFR1711C/ OFR1717C Copper Faucet Supply Kit w/ Multi-Turn Angle Stop – Female Iron Pipe x Flare

**Use:** For use in potable water distribution systems. Not intended for recirculating water systems that produce continuous use temperatures above 115° F. For those applications, use BrassCraft KT series ball stop supply kits

**Design Features:**

- **Everything you need.** Kits include a multi-turn stop, escutcheon and copper riser, everything you need to hook up your water supply

*Copper riser provides:*

- **One-piece construction**
- **Cut-to-Length** for clean, professional installation

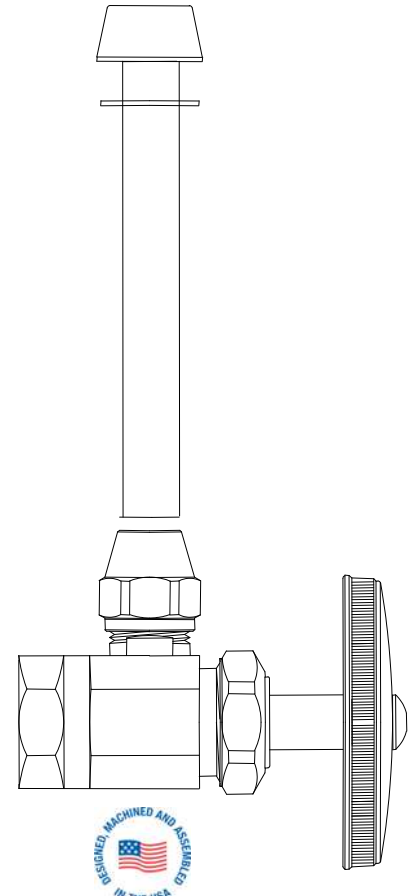
*Multi-Turn stop provides:*

- **Machined one-piece brass body** provides strength, durability and long-lasting performance
- **Oval knurled handle** provides a secure grip and smooth on/off operation
- **Easy-to-remove handle** with screw attachment helps protect against accidental stop operation during rough-ins

**Operating Specifications:**

**Temperature:** 40°- 140° F  
**Pressure:** 125 psi maximum

**Tubing Diameter:** 0.38" O.D.



Includes 1/2" Nom. shallow escutcheon (see 649 submittal form for details)

MATERIAL SPECIFICATIONS	
<b>Copper Riser</b>	
<b>Tube</b>	C12200 copper per ASTM B-68
<b>Washer</b>	Nitrile rubber
<b>Ring</b>	Brass
<b>Multi-Turn Stop</b>	
<b>Valve Body</b>	C36000 brass
<b>Stem</b>	POM
<b>Bib &amp; Packing Washers</b>	Nitrile or EPDM rubber
<b>Packing Nut</b>	C36000 brass
<b>Handle</b>	Chrome plated ABS
<b>Handle Screw</b>	Zinc-plated steel
<b>Flare Nut</b>	C36000 brass
<b>Shallow Escutcheon</b>	Stainless Steel

*This specification and all information contained herein is the confidential and exclusive property of BrassCraft Manufacturing, and shall not be disclosed to others without the written consent of BrassCraft. This specification must be returned to BrassCraft if requested.*

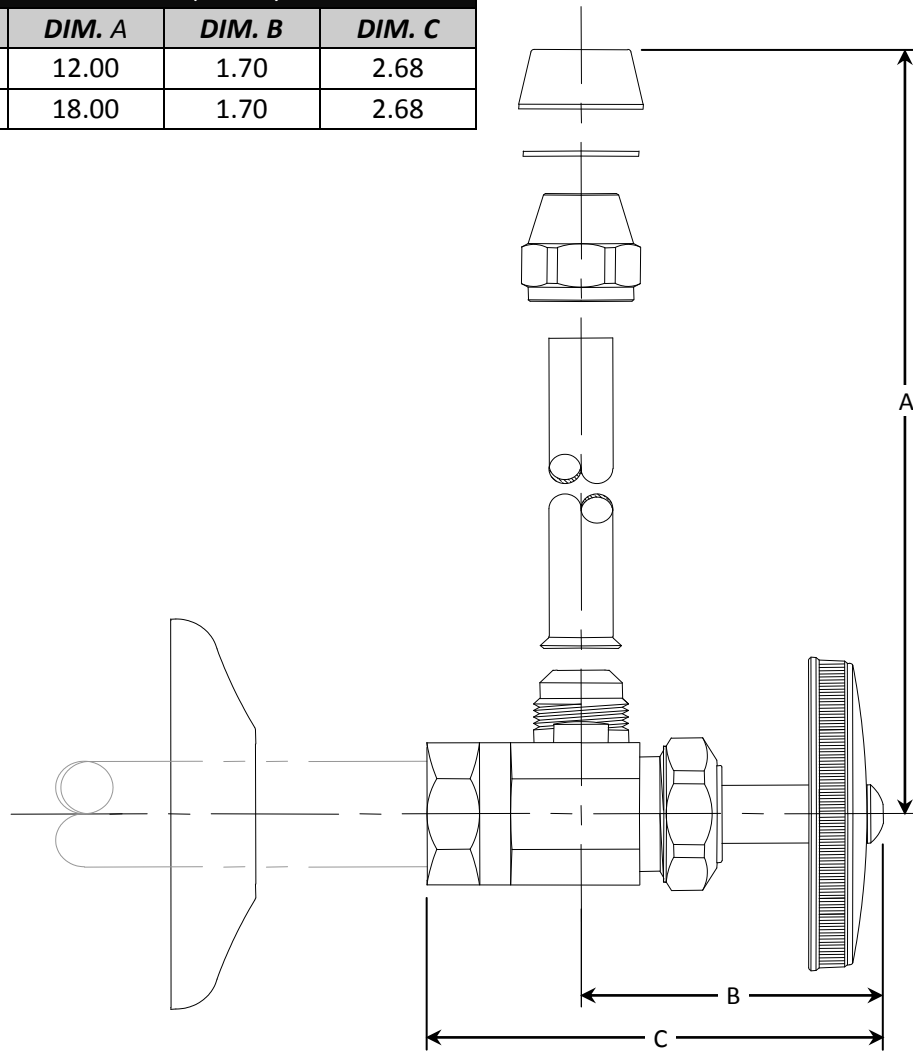


# OFR1711C/ OFR1717C Copper Faucet Supply Kit w/ Multi-Turn Angle Stop – Female Iron Pipe x Flare

**Part Listing:**

- OFR1711C C      1/2" F.I.P. x 3/8" OD Flare multi-turn stop with 3/8" OD Tube x 11" length riser & shallow escutcheon, chrome plated
- OFR1717C C      1/2" F.I.P. x 3/8" OD Flare multi-turn stop with 3/8" OD Tube x 17" length riser & shallow escutcheon, chrome plated

<b>PART DIMENSIONS (Inches)</b>			
Model	DIM. A	DIM. B	DIM. C
OFR1711C	12.00	1.70	2.68
OFR1717C	18.00	1.70	2.68



**Listings & Certifications:**

- IAPMO listed to ASME A112.8.1-05/ CSA B125.1-05 (File # 0645)
- CSA listed to ASME A112.8.1-05/ CSA B125.1-05 (File # 204593)



*This specification and all information contained herein is the confidential and exclusive property of BrassCraft Manufacturing, and shall not be disclosed to others without the written consent of BrassCraft. This specification must be returned to BrassCraft if requested.*

