



# Polaview 10 LCD Projector

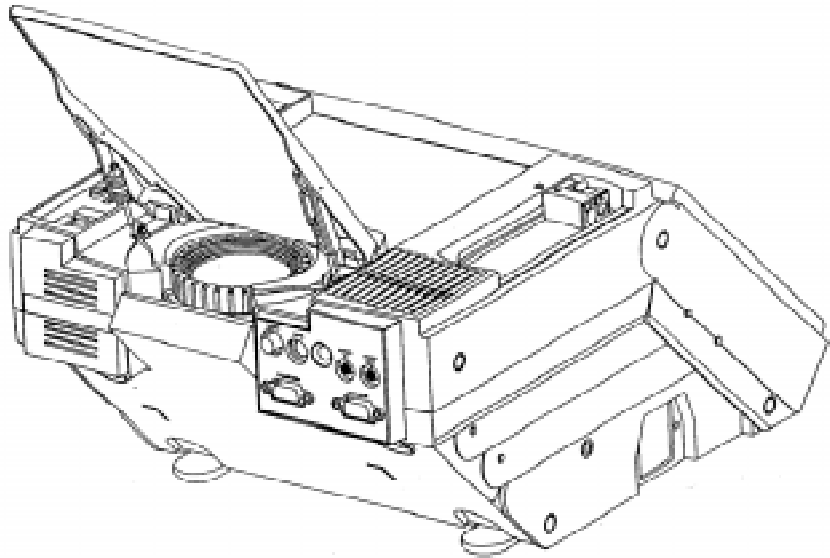


Table of Contents



# Table of Contents

---

Introduction ▶

---

Product overview ▶

---

Markets & applications ▶

---

Competitive analysis ▶

---

Sales support & administration ▶

---

[Click to see more](#)





# Polaview 10 LCD Projector

Find out more about the Polaview 10 by reading this complete Launch Brief!

**Product Overview**

Polaview 10 Product Description/Positioning, Features-at-a-Glance, Technical Specifications, Frequently Asked Questions and Answers.

**Markets & Applications**

Key Markets, Presentation Settings, Workgroup Settings.

**Competitive Analysis**

Competition-at-a-Glance, Product Comparisons.

**Sales Support  
and Administration**

Customer Support and U.S. Warranty Coverage, Internet Services and Support, PID and Parts Listing.





---

Product description ▶

---

Features-at-a-glance ▶

---

Specifications ▶

---

FAQs ▶

[Click to see more](#)

# Product Overview



# Polaview 10 LCD Projector

## **Polaview 10 Super Portable LCD Projector – Product Description/Positioning**

*Around the office or around the world, now there's a projector that won't weigh you down!*

Weighing only 9.4 pounds (4.2 kg) and folding to a mere 2.9 inches (7.25 cm) high, the Polaview 10 is not just portable, it's "Super Portable." And the Polaview 10's folding design makes it easy to carry and even easier to use. Now you can project sharp, brilliant images anytime and almost anywhere you want!

The Polaview 10 is ideal for giving presentations on the road. With its slender profile, the Polaview 10 fits easily in the overhead compartment of an airplane or under the seat. The Polaview 10 also comes with its own extra-soft carrying case, roomy enough to accommodate a laptop computer, too. In addition, the Polaview 10 is affordably priced, so the entire sales force can be equipped with professional-quality projectors.

*continued* ►



# Polaview 10 LCD Projector

And you don't have to sacrifice quality! With 640 x 480 resolution, 200 ANSI lumens and over 16 million colors, the Polaview 10 provides sharp, clear images in almost any room lighting situation. Other features include illuminated panel controls, remote on-screen menus, rear-facing stereo speakers, NTSC/PAL/SECAM video, 110-240 Vac 50/60 Hz power, and PC and Macintosh compatibility. Remote, soft-sided carrying case and all cables/adapters come included.

*continued* ►



# Polaview 10 LCD Projector

## The Polaview 10 Super Portable LCD Projector — Features-at-a-Glance

The Polaview 10 enables customers to project high-quality multimedia images anytime and almost anywhere they desire. The compact size of the Polaview 10 makes it the convenient choice for travel, without making users sacrifice resolution and image brightness.

### **The Polaview 10 has these important features and benefits:**

- Revolutionary folding design makes it the smallest LCD projector on the market with dimensions of just 10.3 in. x 2.9 in. x 15.9 in. (25.75 cm x 7.25 cm x 39.75 cm)
- Only 9.4 pounds (4.2 kg) — won't weigh you down
- Slender profile allows it to fit in airplane overhead compartment or under the seat
- True 640 x 480 VGA resolution for sharp video and data projection; SVGA compatible

*continued* ►



# Polaview 10 LCD Projector

- 200 ANSI lumens and over 16 million colors for a brilliant presentation
- Illuminated panel controls and remote multilingual on-screen menus
- Rear-facing stereo speakers, NTSC/PAL/SECAM video
- PC and Macintosh compatibility
- Remote control and all cables/adapters included
- Extra-soft carrying case (capable of carrying Polaview 10 and a laptop computer) included

*continued* ►





# Polaview 10 LCD Projector

## Technical Specifications

---

<b>LCD Type</b>	6.4 in. single panel TFT
<b>Number of Colors</b>	Over 16 million
<b>Horizontal Scan Rate</b>	31-40 kHz
<b>Vertical Scan Rate</b>	50-72 Hz
<b>Resolution</b>	640 x 480 (800 x 600 compressed)
<b>Video Compatibility</b>	NTSC/PAL/SECAM
<b>Computer Compatibility</b>	PC, Macintosh II, Macintosh Powerbook, Power PC

*continued* ►



# Polaview 10 LCD Projector

<b>Response Time</b>	25 milliseconds
<b>Aspect Ratio</b>	1.33:1
<b>Contrast Ratio</b>	100:1
<b>Screen Brightness</b>	200 ANSI lumens (typical)
<b>Audio Power</b>	3 watts
<b>Internal Speakers</b>	(2) 1.5 in. x 2.2 in. (38.1 mm x 56 mm)
<b>Lens</b>	140 mm, f-stop 3.7; four element Dogmar Lens
<b>Monitor Loop Through</b>	Yes
<b>Spare Lamp</b>	Yes
<b>Indicators</b>	Lamp life indicator

*continued* ►



# Polaview 10 LCD Projector

**Rear Screen Mode**

Yes

**Controls**

Full controls on unit; full on-screen menus; multilingual operation for English, French, German, Spanish; backlit remote included; backlit keypad on unit

**Inputs**

Stereo Audio Line: (1) 1/8 in. stereo (3.18 mm)

Computer: (1) 15-pin D-Sub

Composite Video: (1) RCA phono

S-VHS: (1) 5-pin DIN

*continued* ►



# Polaview 10 LCD Projector

<b>Outputs</b>	Stereo Audio Line: (1) 1/8 in. stereo (3.18 mm) Computer Monitor: (1) 15-pin D-Sub
<b>Power Supply</b>	110-240 vac 50/60 Hz
<b>Lamp Source</b>	410 watt FXL
<b>Weight</b>	9.4 lbs. (4.2 kg)
<b>Accessories</b> <i>(included)</i>	Soft case, remote, VGA cable w/Macintosh adapters, audio cable, RCA video cable
<b>Dimensions (open)</b> <i>W x H x L</i>	10.3 in. x 6.6 in. x 14.5 in. (25.75 cm x 16.50 cm x 36.25 cm)
<b>Dimensions (folded)</b> <i>W x H x L</i>	10.3 in. x 2.9 in. x 15.9 in. (25.75 cm x 7.25 cm x 39.75 cm)





# Polaview 10 LCD Projector

## Frequently Asked Questions and Answers

---

### **Do I need to take precautions when transporting the Polaview 10?**

Because the Polaview 10 is super portable, you never lose direct control over the device, as you might when checking a piece of luggage onto an airplane. The fact that the Polaview 10 can be stowed on an airplane as a “carry-on” means that it never has to be subjected to rough handling or extreme changes in temperature. However, since the Polaview 10 is a sensitive, technological product, care should be taken in transporting it. Avoid exposing the projector to sunlight or leaving it in your car. Like all projectors, the Polaview 10 is sensitive to extreme heat or cold, so protect it from the elements whenever possible. Make sure you leave the projector at room temperature for at least 10 minutes before turning it on. And, of course, be careful when moving the projector from place to place. One of the advantages of the Polaview 10 is that it comes with a soft-sided carrying case.

---

*continued* ►



# Polaview 10 LCD Projector

---

**Are there any major Polaroid features being traded off in order to give the Polaview 10 its super portability?**

Nothing other than weight and size! Granted, other larger Polaroid projectors might project somewhat brighter images, but the overall image quality of the Polaview 10 is still more than sufficient for most presentations. Technically, 200 lumens is enough for almost any lighting situation, and PC-quality projectors have been the standard in the computer-projection field for years. Be sure to see the Polaview Projector Positioning Chart in the back pocket of this launch brief!

---

*continued* ►



# Polaview 10 LCD Projector

---

## **In which situations would the Polaview 10 not be the Polaroid projector of choice?**

For professional-looking results, the Polaview 10 can be used in most any projection situation, providing “on-the-go” salespeople or presenters with one easy solution. However, when projecting specifically in large, brightly lit rooms, there might be a better choice than the Polaview 10 among Polaroid projectors. For example, the Polaview 220 offers more lumens, and the Polaview 305 offers XGA sharpness and clarity, making it ideal for GIS, CAD and even medical diagnostic image projection.

---

*continued* ►



# Polaview 10 LCD Projector

---

## **What kind of projection screen should I use? Does it matter?**

Although you can always project the image onto a bare wall, a good screen greatly enhances the quality of a presentation. There are three main varieties of screen: matte, lenticular, and beaded. Matte screens are a bit dull, but because they have a wide viewing angle, they are a good choice when the audience is spread to the sides. Lenticular screens reflect light from very thin ridges, so the image is quite sharp directly in front of the screen. Beaded screens combine the best of both worlds, reflecting light very well and allowing a wide viewing angle.

---







# Markets & Applications

---

Key Markets ▶

---

Presentation settings ▶

---

Workgroup settings ▶

---

[Click to see more](#)





# Polaview 10 LCD Projector

## Key Markets and Applications

---

### Key Markets

- Traveling Executives
- Business
- Education
- Government

Like all LCD projectors, the Polaview 10 is designed to increase the productivity of workgroups and the effectiveness of presenters. However, the small size and weight of the Polaview 10 mean you can use the Polaview 10 in more places, more often! Its VGA resolution allows for projected displays of multi-tasked screens, video clips, or images containing fine detail. It greatly increases the efficiency of information exchange, because you'll use it more often and in more places!

*continued* ►



# Polaview 10 LCD Projector

More than 60% of LCD projectors are sold to businesses. The Polaview 10 expands the potential of the business market even further through its enhanced portability. LCD projectors' three largest business uses are:

- Presentations
- Product demonstrations, particularly for personal computing hardware and software products
- Training on both computer and non-computer products

*continued* ►



# Polaview 10 LCD Projector

## **Presentation Settings**

The compact Polaview 10 is the ideal projector for fast-paced companies with many locations, or any company whose salespeople are called upon to travel frequently and give numerous presentations. The Polaview 10's affordability also allows the entire sales force to be equipped with a professional-quality projector, equalling more sales in the end.

---

## **Executive Briefings**

A user can easily prepare and deliver a presentation for everything from a financial conference to a board of directors meeting using the Polaview 10, together with any of several widely available presentation software packages. Since the preparation of a presentation to be delivered with a Polaroid projector does not require the assistance of third-party suppliers, long lead times are not required and information can be easily updated. The presenter can prepare additional, easily accessible backup material in anticipation of questions that may be asked by the audience.

*continued* ►



# Polaview 10 LCD Projector

Executive presenters typically value such features as superior image quality and brightness, color range, multimedia capabilities, portability, ease of use and the ability to access any part of the presentation non-sequentially. Polaview 10 also allows for increased use of video playback in multi-media presentations. An infrared remote mouse enables the presenter to control the presentation while walking around the room interacting with the audience.

---

## **Sales Presentations**

Because of the portability of the Polaview 10, a salesperson can easily carry it to customer sites. The result is more effective presentations. Using a Polaroid projector with any of several widely available presentation software packages, a salesperson can tailor a presentation to each customer situation — a transportable notebook computer can even customize a presentation from the road. Highly valued projection system features are portability, brightness, image quality, the ability to access parts of the presentation non-sequentially, and the ability to customize presentations easily.

---

*continued* ►



# Polaview 10 LCD Projector

---

## **Training and Education**

Polaroid projection products are used extensively for training and education purposes. In a software training course, for instance, the instructor can project a screen for the entire class, allowing the group to study the material simultaneously. Projection also enables the instructor to provide real-time examples and instruction. Instructors typically value such features as portability, affordability, interactivity and image brightness. The Polaview 10's extreme portability means an instructor can easily carry the system from location to location.

---

*continued* ►



# Polaview 10 LCD Projector

## Workgroup Settings

The lightweight Polaview 10 projector is a great choice for workgroup settings because of its super portability. Its size allows you to conduct more workgroups in more locations than ever before.

---

## Financial Analysis

Workgroups can prepare and analyze budgets, forecasts and other financial models using Polaview products along with popular spreadsheet applications such as Microsoft Excel and Lotus 1-2-3. For example, a budget can be analyzed to see the effects on profits should revenues increase or decrease, or should sales commissions change. The ability to work in real time can enhance the performance of workgroups by fostering more interaction among group members and improving the efficiency of the entire process by eliminating delays associated with generating multiple iterations. Workgroups performing financial analysis typically value such features as portability, brightness, price performance, ease of document retrieval, and hardware and software compatibility.

---

*continued* ►



# Polaview 10 LCD Projector

---

## **Product Design**

Scientists, engineers and product designers can use the Polaview projector product series for group design reviews, project scheduling and management reporting. While evaluating the design or project schedule together, the group can also make and see changes, and view their results immediately. In addition, technical simulations can be run in a group setting. Prior to the advent of electronic projection products, these groups were limited to reviewing static drawings or printed materials, offering suggestions or modifications, then waiting for a revised version to be generated and circulated. Product design groups typically value such features as portability, high resolution, color and brightness.

---







# Competitive Analysis

---

Polaview 10 vs.  
EZPro 500 & LB-10 ▶

---

Polaview 10 vs.  
nFinity P115 & LitePro 570 ▶

---

Polaview 10 vs.  
InFocus 580 & XG-E630 ▶

---

Polaview 10 advantage ▶

---

[Click to see more](#)





# Polaview 10 LCD Projector



## Competition-at-a-glance – 1

	<b>Polaroid Polaview 10</b>	<b>CTX EzPro 500</b>	<b>Proxima LB-10</b>
<b>Volume</b>	.27 cu. ft.	.47 cu. ft.	.24 cu. ft.
<b>Maximum Image Size</b> <i>(measured diagonally)</i>	19 ft./570 cm	13 ft./390 cm	13.9 ft./420 cm
<b>U.S. List Price</b>	\$4,995	\$5,695	\$5,000
<b>Weight</b>	9.4 lbs./4.23 kg.	9.5 lbs./4.28 kg.	11.35 lbs./5.2 kg.
<b>TFT Type</b>	Single/6.4 in.	Single/6.4 in.	Single/6.4 in.
<b>Number of Input Sources</b>	3	2	4


continued ►



# Polaview 10 LCD Projector



	<b>Polaroid Polaview 10</b>	<b>CTX EzPro 500</b>	<b>Proxima LB-10</b>
<b>Speaker Complement</b>	Two 2"x3"	Two 2"	Two 3"
<b>Resolution</b>	640 x 480	640 x 480	640 x 480
<b>Lamp Warning</b>	Yes	No	Yes
<b>Built-in Lens Cover</b>	Yes	Yes	Yes
<b>Worldwide Ready</b>	Yes	Yes	Yes
<b>Multi-lingual menus</b>	Yes	Yes	Yes

*continued* 



# Polaview 10 LCD Projector



	<b>Polaroid Polaview 10</b>	<b>CTX EzPro 500</b>	<b>Proxima LB-10</b>
<b>Number of Colors</b>	16 million	2 million	16.7 million
<b>Simultaneous Monitor Viewing</b>	Yes	No	Yes
<b>Auto-switching Input Source</b>	Yes	No	Yes





# Polaview 10 LCD Projector



## Competition-at-a-glance – 2

	<b>Polaroid Polaview 10</b>	<b>nView nFinity P115</b>	<b>InFocus LitePro 570</b>
<b>Volume</b>	.27 cu. ft.	.75 cu. ft.	1.07 cu. ft.
<b>Maximum Image Size</b> <i>(measured diagonally)</i>	19 ft./570 cm	12.9 ft./387 cm	10 ft./300 cm
<b>U.S. List Price</b>	\$4,995	\$6,495	\$5,995
<b>Weight</b>	9.4 lbs./4.23 kg.	19 lbs./8.55 kg.	19 lbs./8.55 kg.
<b>TFT Type</b>	Single/6.4 in.	Data N/A	Single/8.5 in.
<b>Number of Input Sources</b>	3	4	4

continued ►



# Polaview 10 LCD Projector



	<b>Polaroid Polaview 10</b>	<b>nView nFinity P115</b>	<b>InFocus LitePro 570</b>
<b>Speaker Complement</b>	Two 2"x3"	One 3.5"	Two 2"
<b>Resolution</b>	640 x 480	640 x 480	640 x 480
<b>Lamp Warning</b>	Yes	No	No
<b>Built-in Lens Cover</b>	Yes	No	No
<b>Worldwide Ready</b>	Yes	Yes	Yes
<b>Multi-lingual menus</b>	Yes	No	No

*continued* ►



# Polaview 10 LCD Projector



	<b>Polaroid Polaview 10</b>	<b>nView nFinity P115</b>	<b>InFocus LitePro 570</b>
<b>Number of Colors</b>	16 million	14 million	16 million
<b>Simultaneous Monitor Viewing</b>	Yes	Data N/A	Yes
<b>Auto-switching Input Source</b>	Yes	No	No





# Polaview 10 LCD Projector



## Competition-at-a-glance – 3

	<b>Polaroid Polaview 10</b>	<b>InFocus 580</b>	<b>Sharp XG-E630</b>
<b>Volume</b>	.27 cu. ft.	.48 cu. ft.	1.21 cu. ft.
<b>Maximum Image Size</b> <i>(measured diagonally)</i>	19 ft./570 cm	Data N/A	12.4 ft./372 cm
<b>U.S. List Price</b>	\$4,995	\$7,999	\$4,495
<b>Weight</b>	9.4 lbs./4.23 kg.	17 lbs./7.65 kg.	21 lbs./9.45 kg.
<b>TFT Type</b>	Single/6.4 in.	Three/1.3 in.	Single/6.5 in.
<b>Number of Input Sources</b>	3	4	2

continued ►






# Polaview 10 LCD Projector



	<b>Polaroid Polaview 10</b>	<b>InFocus 580</b>	<b>Sharp XG-E630</b>
<b>Speaker Complement</b>	Two 2"x3"	Two 3"	One 4"
<b>Resolution</b>	640 x 480	640 x 480	640 x 480
<b>Lamp Warning</b>	Yes	No	Yes
<b>Built-in Lens Cover</b>	Yes	Yes	Yes
<b>Worldwide Ready</b>	Yes	Yes	Yes
<b>Multi-lingual menus</b>	Yes	Yes	Yes

*continued* 



# Polaview 10 LCD Projector



	<b>Polaroid Polaview 10</b>	<b>InFocus 580</b>	<b>Sharp XG-E630</b>
<b>Number of Colors</b>	16 million	16 million	16 million
<b>Simultaneous Monitor Viewing</b>	Yes	Yes	Yes
<b>Auto-switching Input Source</b>	Yes	No	No





# Polaview 10 LCD Projector

## The Polaview 10 Super Portable Projector competitive advantage

---

**When compared to the:**

**CTX EzPro 500**

**The Polaview 10 advantage:**

- Smaller and easier to carry
  - 2.9" height compared to 4.9" LB-10 height
  - Allows for viewing monitor and big screen simultaneously
  - 16 million colors compared to the CTX EzPro 500's 2 million
- 

**When compared to the:**

**Proxima LB-10 Lightbook**

**The Polaview 10 advantage**

- Far smaller and easier to carry
  - More compact and lightweight
  - Greater diagonal image size
- 

*continued* ►



# Polaview 10 LCD Projector

---

**When compared to the:**

**The Polaview 10 advantage**

**nView nFinity P115**

- More brilliant images
- More saturated and accurate colors
- 16 million colors compared to the nView nFinity P115's 14 million

---

**When compared to the:**

**The Polaview 10 advantage:**

**InFocus LitePro 570**

- Far smaller and easier to carry
  - More compact optical design
  - Bigger image for more impact
  - More intuitive operation
- 

*continued* ►



# Polaview 10 LCD Projector

---

**When compared to the:**

**InFocus LitePro 580**

**The Polaview 10 advantage:**

- Far smaller and easier to carry
- More reliable — no alignment problems

---

**When compared to the:**

**Sharp XG-E630**

**The Polaview 10 advantage:**

- Far smaller and easier to carry
  - Easier setup
- 





# Sales Support & Administration

---

Internet service & support ▶

---

Customer support services ▶

---

Technical assistance ▶

---

Warranty ▶

---

PID numbers ▶

---

Accessories & parts ▶

---

Product positioning ▶

---

[Click to see more](#)





# Polaview 10 LCD Projector

## Statement of Internet services and support

Polaroid Customer Support Services is now offering Internet support for all Polaroid Digital Imaging Products on the Polaroid Home Web Page. Following is a brief description of each section on the Web Page concerning Polaroid Digital Imaging (PDI) products.

### **Products**

- General product information is contained here. There will be links to the following locations:
- An FTP site containing current “free” software drivers and/or patches
- FAQs - Frequently Asked Questions. These are the top 10 (or so) most frequently asked questions and associated answers received from the US phone support organization.
- Service Page
- Home Page

*continued* ►



# Polaview 10 LCD Projector

## **Service**

E-mail service is being offered to all customers with products listed in this section. A customer may send an E-mail with any pre-sales or post-sales question. As soon as the message is received, an automatic response lets the customer know that their message has been received and that they will be contacted via E-mail with an answer within one business day. Non-US customers are directed to the listing of international service centers. Obviously, nothing prevents an international customer from sending an E-mail message. All efforts will be made to answer the question. The 800 number for PDI service is listed here, as well as the phone numbers and addresses of all service centers worldwide.

The following types of questions will NOT be answered:

- sales/pricing/literature
- product repair
- products not sold in the US

*continued* ►





# Polaview 10 LCD Projector

For these questions, an E-mail message will be sent to that customer, referring him/her to the closest Polaroid service center.

Efforts are under way to broaden the international support offered on the WEB site.

## **Fresh stuff**

This section contains any new information about Polaroid, it's products, and it's WEB site. Any new PDI product information including new drivers and software will be located here.

## **Let's get digital**

This section is dedicated to the digital product line. Currently it contains information concerning the PDC-2000 Digital Camera. This site will change periodically but will always highlight one of the digital products.





# Polaview 10 LCD Projector

## Customer Support Services

### **U.S. Service & Support Information**

#### *Telephone Assistance*

For technical assistance, customers in the United States call Polaroid's toll-free Technical Assistance Hotline at 1-800-432-5355. The hours of operation are Monday through Friday, 8 A.M. to 8 P.M. EST. Our highly trained specialists can answer questions, from general to specific technical issues.

When calling with a technical question, ask for an Electronic Imaging or Digital Imaging Specialist. Please identify the Polaroid product/model, computer and video card you are using before describing the issue. Also, (if possible) have the equipment in front of you when you call.

#### *Technical Assistance:*

Polaroid Corporation  
565 Technology Square – 3B  
Cambridge, MA 02139  
Phone: 800-432-5355/Fax: 617-386-9688

*continued* ►



# Polaview 10 LCD Projector

## *Software Support*

For application software support, please contact the software manufacturer.

## *Manufacturer*

Polaroid provides a one year warranty for its Polaview LCD products.

## *Standard Warranty*

**Limited One Year Warranty** Polaroid Corporation warrants the Polaview LCD products against defects for a period of one year from the date of purchase. To verify the warranty period, the sales slip or other proof of the purchase date is required.

Should this product, or any component or accessory included with it, become defective at any time during the warranty period, Polaroid Corporation will, at its discretion, either repair or replace this item, without charge, provided the product is returned to the designated servicing location (prepaid and insured).

*continued* ►



# Polaview 10 LCD Projector

This Limited Warranty does not apply to product damage resulting from accident, incorrect installation, unauthorized modification, misuse or abuse.


This warranty excludes all incidental and consequential damages and does not affect your statutory rights.

Note: No user-serviceable parts inside. Attempts to modify mechanical or electronic parts inside will void your warranty, and may be hazardous.

### ***Out-of-Box Failures***

It is the reseller's responsibility to contact their local Polaroid Distribution Center regarding "out-of-box failures." Distribution will issue an RA (return authorization) number and the reseller may then return the product to Polaroid for a replacement unit.

If you believe you have an "out-of-box failure" but are not sure, you can call the toll-free Technical Assistance Hotline at 800-432-5355. The technical expert will troubleshoot the problem, confirm it is an out-of-box failure and instruct you to contact Distribution.

*continued* 



# Polaview 10 LCD Projector

## *Service*

If your product is under warranty, out of warranty, or covered by an extended warranty and requires service, call Polaroid Technical Assistance Hotline, toll-free, 800-432-5355. A trained technician will diagnose the problem.

If the technician determines your equipment needs service, you will be given a service RA# and will be instructed where to ship your equipment.

For complete line of Polaroid LCD Projector Products see Polaroid Home Page at **[www.Polaroid.com](http://www.Polaroid.com)**.






# Polaview 10 LCD Projector

## Polaview 10 LCD Projector

<b>PID#</b>	<b>Product description</b>	<b>List price</b>
<b>622187</b>	<b>Polaview 10 Super Portable LCD Projector</b> <p>This “Super Portable” Liquid Crystal Display Projector fits into its own soft carrying case and is ideal for salespeople or other presenters in business, education and government. The Polaview 10 drastically improves presentation and workgroup applications because of its extreme portability and high quality.</p> <p><b>Features:</b></p> <ul style="list-style-type: none"><li>• New folding mechanism allowing the projector to fold to 2.9 in. (7.25 cm)</li><li>• Weighs only 9.4 lbs. (4.2 kg)</li><li>• Video compatibility with NTSC/PAL/SECAM</li><li>• Two computer inputs</li><li>• Optional lapel wireless microphone</li></ul>	<b>\$4,995 U.S.</b>

*continued* 



# Polaview 10 LCD Projector

## **Features:***(cont'd)*

- 640 x 480 VGA resolution for sharp video and data
- 200 ANSI lumens and 16 million colors make your presentation spectacular
- Illuminated panel controls and remote multi lingual on-screen menus
- Rear-facing stereo speakers, NTSC/PAL/SECAM video
- PC, SVGA and Macintosh compatibility
- Remote controller, soft-case and all cables/adapters included
- Soft case designed to accommodate laptop computer, as well





# Polaview 10 LCD Projector

## Projector accessories

<b>PID #</b>	<b>Product description</b>	<b>List price</b>
<b>623405</b>	<b>Remote control</b>	<b>\$90.00 U.S.</b>

## Projector spare parts list

<b>Part #</b>	<b>Part description</b>
<b>58381-003</b>	<b>PC video cable</b>
<b>550093-002</b>	<b>Macintosh computer adapter</b>
<b>550093-003</b>	<b>Macintosh monitor adapter</b>
<b>550025-000</b>	<b>Audio cable (AC-1 3.5 mm stereo)</b>
<b>550025-001</b>	<b>Audio cable (AC-2 dual RCA)</b>

*continued* ►





# Polaview 10 LCD Projector

## Projector spare parts list

<b>Part #</b>	<b>Part description</b>
<b>550093-000</b>	<b>MA-1 Apple Macintosh computer adapter</b>
<b>550093-001</b>	<b>MA-2 Apple Macintosh computer adapter</b>
<b>550009-003</b>	<b>CBL-V VGA 9 foot computer cable</b>
<b>44925P13</b>	<b>FXL 410 lamp</b>
<b>590300-000</b>	<b>Soft carrying case</b>





# Polaview 10 LCD Projector

## Polaview Projector Product Positioning

---

### **Polaview 10**

#### **Super portable, low cost VGA projector**

VGA 640 x 480

Adequate for most lighting conditions

Laptop size under 10 lbs.

\$5,995

---

### **Polaview 110**

#### **Best VGA projector for well-lighted environments and business graphics applications**

VGA 640 x 480

SVGA 800 x 600 compressed

Rich saturated colors

High brightness

24 lbs. (10.8 kg.)

\$8,295

---

*continued* ►



# Polaview 10 LCD Projector

---

## **Polaview 220**

**Best SVGA projector**  
**Best projector for video and full color/photographic images**

SVGA 800 x 600

Full screen VGA (640 x 480)

Excellent uniformity

No LCD “screen door” effect minimum pixelization

Best video and full color imagery

23 lbs. (10.35 kg.)

\$10,900

---

*continued* ►



# Polaview 10 LCD Projector

---

## **Polaview 305**

**Portable high-resolution projector  
(Compared to competitive CRT and LCD  
projectors)  
Optional Adobe Acrobat Player System for  
presentation without connecting a PC**

XGA 1024 x 768

VGA (640 x 480) to EWS (1280 x 1024)  
compatibility

High detail/resolution

31 lbs. (13.95 kg.)

\$16,995

---

