

Adapter ST Standard

Technical Specification



GENERAL

This specification covers the requirement of the adapter ST Standard for SM and MM applications.

APPLICATIONS

- Telecommunications
- Local area network

FEATURES

- Low insertion loss
- High durability
- Precision alignment straight split sleeves
- Compact and light weight
- Easy panel installation

OPTICAL CHARACTERISTICS

Typical Insertion Loss [dB] at 1310 nm

Adapter Type	SM Phosphor Bronze Sleeve High Quality	MM Phosphor Bronze Sleeve Standard
ST Standard	0.15	0.25

MECHANICAL CHARACTERISTICS

- Insertion Loss variation after 500 connections: < 0.10 dB
- Corrosion resistant body

MATERIALS

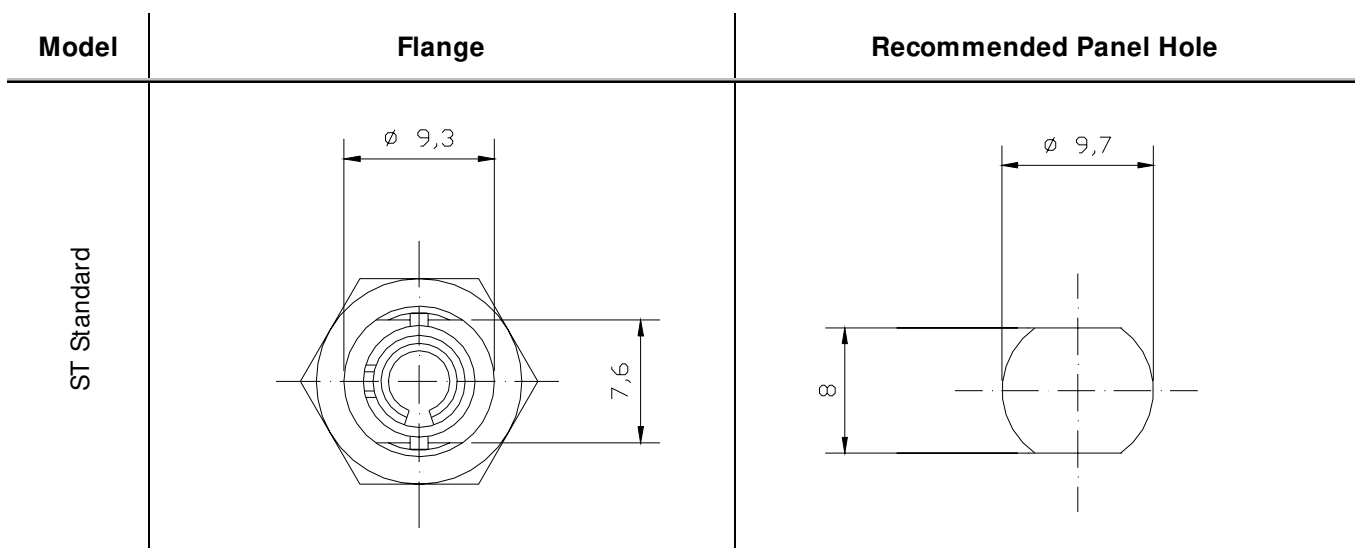
Parts	Material	Colour
Body	Nickel Plated Zinc Alloy	Metal
Dust cap	Vinyl	Black
Sleeve	Phosphor Bronze	-
Hexagonal nut	Nickel Plated Brass	Metal
Grower Washer	Metal	Metal

ENVIRONMENTAL SPECIFICATIONS

	min	max
Operating Temperature [°C]	- 40	+ 85
Storage Temperature [°C]	- 40	+ 95

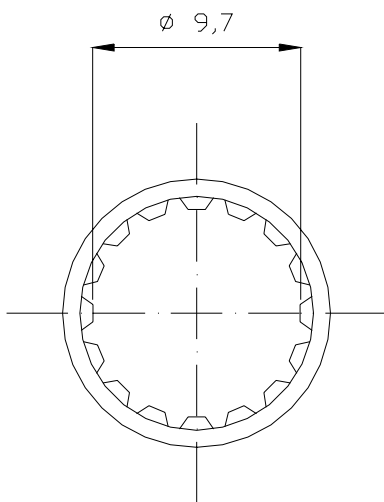
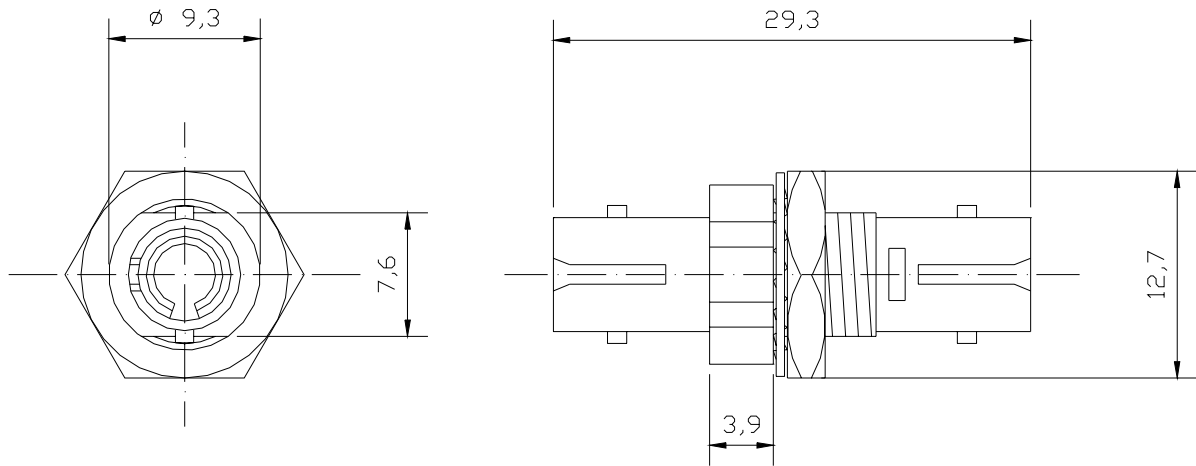
RECOMMENDED PANEL HOLE

The following drawing shows the dimensions recommended for the panel hole:

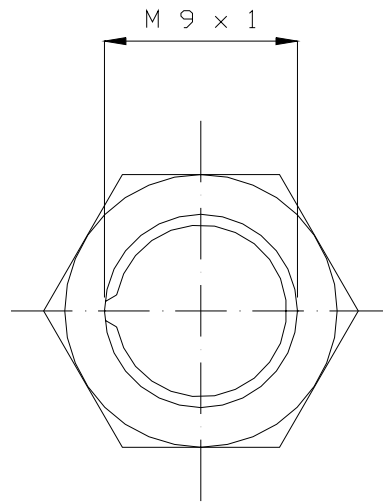


TECHNICAL DRAWING

Adapter ST Standard



Washer



Hexagonal nut

END OF SPECIFICATION