

# Selecon SHORT FORM OPERATION MANUAL PLPROFILE1 LED LUMINAIRE



THANK YOU FOR PURCHASING A PHILIPS SELECON PLPROFILE1 LED LUMINAIRE. WE HAVE DESIGNED THIS LUMINAIRE TO PROVIDE YOU WITH A SUPERIOR FITTING IN PERFORMANCE, DESIGN AND ENGINEERING. WE ARE CONFIDENT THAT IT WILL PERFORM TO YOUR EXPECTATIONS FOR MANY YEARS TO COME.

**Caution!** Installation is entirely at your risk. Do not attempt installation unless you are suitably qualified. If you do not understand a point in this manual, don't guess. Don't take short cuts. If in doubt, stop! Contact Philips Selecon or one of its authorised distributors for advice. Don't be afraid to ask for help.

This SHORT FORM MANUAL is designed to provide you with the information that you will need IMMEDIATELY upon unpacking your new luminaire. This manual covers information required for PLZS1-1834-03 & PLZS-2444-03 products. We recommend making a note of the serial numbers of your purchased luminaires for future reference. (The serial number can be found on the sticker on the side of the yoke on the unit and on the outside of the box the unit was packed in).

**Important Note:** Before discarding the packaging ensure you have the suspension bolt set

## Electrical Installation

**WARNING!!!** Risk of fire and electric shock. This product is to be installed by a qualified electrician only. Ensure that the AC power is switched off before attempting to make any wiring connections. This fixture employs a grounded type receptacle and is not intended for connection to a two-wire, ungrounded source of supply. To avoid the chance of product damage or malfunction, disconnect power before connecting wires, and do not connect or disconnect cables (supply, data, lamps and interface cables) when voltage is supplied to the luminaire.

**Mains Voltage:** 100-240VAC (+/- 10%). unit must be direct switching mains only, not via a dimmer system.

When installing this fixture use wire conductor colour codes as follows:

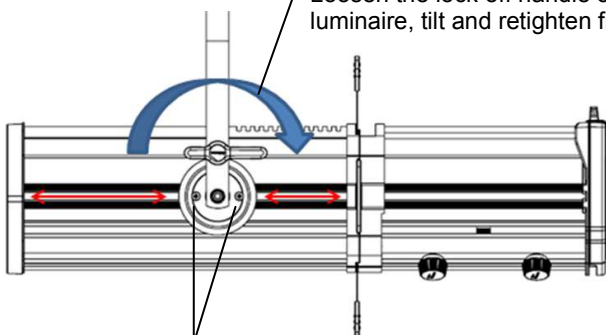
- Brown** - Phase, live
- Blue** - Neutral, return
- Green/Yellow** - Earth, ground

## Mounting

A safety bond MUST always be used when rigging luminaires on bars, trusses, etc. The safety bond is fixed to the luminaire lamp-house anchor point, located at the rear of the luminaire, and is wrapped around the bar and attached to itself. This is the only recommended anchor point for the luminaire. Philips Selecon supplies a fitted safety bond with all theatrical / entertainment luminaires.

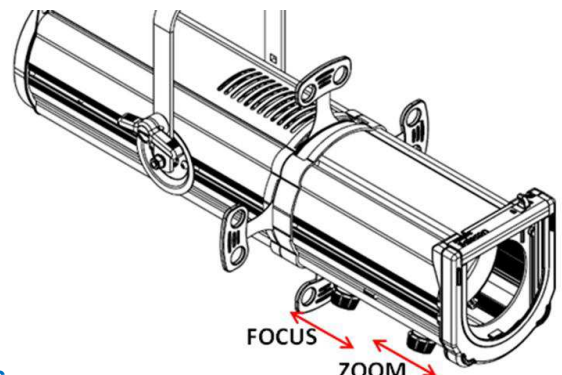
### Adjusting the tilt angle

Loosen the lock off handle on the side of the luminaire, tilt and retighten finger tight



### Yoke Adjustment

Loosen the fasteners on either side of the yoke, reposition yoke, tighten fasteners. Ensure yoke is aligned correctly before tightening fasteners again.



### Focus

Loosen the focus knobs on the bottom of the fixture, gently slide lenses forward or backward for focus and zoom, tighten focus knob once focused.

Ambient Operating Temperature: 0°C to 40°C

To guarantee product lifetime, the user should ensure that the ambient temperature remains within the recommended temperature range.



Philips Selecon has packaged this product using environmentally friendly packaging. Please consider either reuse of the packaging or dispose of responsibly with your nearest recycling collection agency.

## Operation and Programming

### LCD Display

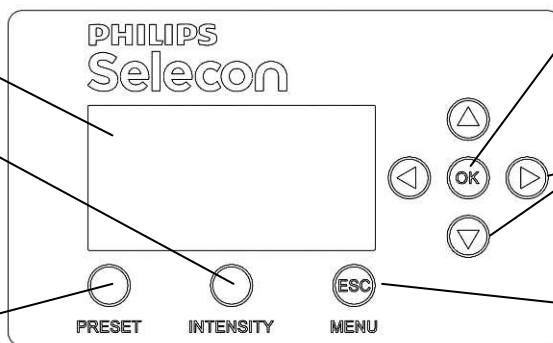
Displays all menu parameters and option settings. Also displays DMX512 address.

### Intensity Button

Allows the customisation of current intensity (light output). Note, using the LEFT and RIGHT arrow buttons you can select each RGBW channel individually and using the UP and DOWN arrows change their intensity.

### Preset Button

Allows the recall of stored presets



### OK (Enter) Button

Accesses details, activates a field, or enters a setting depending on the current menu item

### Up/Down/Left/Right Arrow Buttons

Navigates menu system and used for selecting and setting options.

### Escape Button

Enters menu options. Navigates (backs up) one menu level.

## MAIN MENU (scrolling up or down from the splash screen)

### — Save as Preset

Sub Menu	Options	Comments
Select Preset to Save - (Option)  <i>Scrolls and sets current user-defined color mix to various recallable presets in the fixture using arrow buttons.</i>  <i>Note: To edit a current (set) preset, see Edit Presets.</i>	Off	Users can: <ul style="list-style-type: none"> <li>Save the current settings (look) to a specific recallable Preset in the fixture's memory.</li> <li>Edit the levels (values) for Red, Green, Blue, White, and Intensity values (in percent%) by using the arrow buttons. Once the values are adjusted, the preset is saved as desired.</li> </ul> *Only intensities may be stored on White Color Temperature presets. RGBW in these presets cannot be edited or changed.
	Scratch Pad	
	Warm White*	
	Cool White*	
	Day Light*	
	Preset X (5 through 31)	

### — Edit a Preset

Sub Menu	Options	Comments
Select Preset to Edit - (Option)  <i>Selects a current preset and outputs the preset, so preset can be edited.</i>  <i>Note: To save a specific look of the fixture, see Save Presets.</i>	Off	Users can: <ul style="list-style-type: none"> <li>Edit the current settings (look) to a specific recallable Preset in the fixture's memory.</li> <li>Edit the values for Red, Green, Blue, White, and Intensity values (in percent%) by using the arrow buttons.</li> <li>Once the values are adjusted, the "Save Preset" menu option appears to save the edits.</li> </ul> NOTES: *Only intensities may be stored on White Color Temperature presets. RGBW in these presets cannot be edited or changed.  **If a Calibrated Preset's Color Mix is changed (5 thru 25), an asterisk "*" is appended to the end of the name to indicate that it has been modified. This only happens if the name matches the original calibrated name, stored in EEPROM. This does not happen if the Intensity is changed, only the color mix.
	Scratch Pad	
	Warm White*	
	Cool White*	
	Day Light*	
	Preset X (5 through 31)**	

*Note: When DMX512 signal is present, Edit a Preset option will not appear in menu structure.*

## MAIN MENU CONTINUED:

### — Color Mix

Sub Menu	Options	Comments
Select Color or Intensity to Adjust - (Option)	Red	Users can: <ul style="list-style-type: none"> <li>Edit Red, Green, Blue, White, and Intensity values (in percent%) by using the arrow buttons.</li> <li>Once the values are adjusted, press [OK] to save the edits.</li> </ul>
	Green	
	Blue	
	White	
	Intensity	
<i>Note: When DMX512 signal is present, Color Mix option will not appear in menu structure.</i>		

### — Fan Control

Sub Menu	Options	Comments
Select and Set Fan Speed - (Option)  <i>Note, hit Cancel to cancel any changes you made.</i>	Max	Highlight "Max" button and hit [OK] button on menu. Sets the maximum speed of the fan.
	Level	Level sets the fan to a constant speed (will not vary). Adjust level (on fan speed level bar) using Left and Right arrow buttons, highlight "Level" button in menu, and hit [OK] on menu to use user-defined level.

### — Settings

Sub Menu	Options	Comments
SETTINGS - (Option)  <i>Scrolls and sets the various fixture settings using arrow buttons.</i>		Settings available for editing are dependent on the current security level. These include General, Presets, DMX, Fan and Display

### — Lock Fixture

Sub Menu	Options	Comments
LOCK - Are you sure?	Yes (to Lock Fixture) / No	Use arrow buttons to make selection. Press [OK] to accept. Note, a password must be established (set) in order to lock a fixture. Locking the fixture will disable access to changing menu settings.

### — Enter Password

Sub Menu	Options	Comments
Enter Pass PIN	Enter four-digit password	Unwanted changes to a luminaire's settings can be locked. (see 'security' on pg4)

### — LED Status

Sub Menu	Options	Comments
LED Status Information  <i>Scrolls through the various levels using arrow buttons as indicated on menu screen. Depending on the arrow button pressed, the screens may appear in a different order that shown in "Options".</i>	LED 1	Displays LED's current status (in percentage%) of Intensity, Red, Green, Blue, and White elements of the LED). Also displays current color temperature (i.e., WARM WHITE), Fan Speed, operational LED junction temperature, power settings.
	Levels	Displays DMX levels for each LED element (Red, Green, Blue, and White) and total power.

## Main Menu (if scrolling left or right from the main splash screen)

- DMX Address (if fixture is unlocked, hit 'OK' to change DMX address)
- Fixture Hours (displays fixture operating hours since last reset)
- Fixture Power (displays Max Power Limit setting, in Watts, Present Power consumed by fixture, in Watts, and Hrs of use)
- Fixtures Status (displays current operational temperature, LED status, and fan speed setting)

## Control

The PLProfile1 can be controlled using DMX protocol. Units are fitted with XLR5 in/out connectors.

Basic DMX512 installation consists of connecting multiple luminaires together (up to 32 luminaires) in 'daisy-chain' fashion. A cable runs from the DMX512 control source to the DMX connector on the first luminaire. Another cable is then connected from the first luminaire to a dmX connector on the next luminaire, or device to be controlled, and so on.

## DMX Addressing

The default address for the PLProfile1 is "001".

The individual luminaire DMX address can be set by scrolling left or right from the main menu screen and selecting 'OK' when on the DMX Address Status Screen. The unit requires between 3 to 15 DMX channels, depending on the DMX mode.

DMX Channel	Parameter		
	16-bit Mode	8-bit Mode	3-Channel Mode
1	Intensity – High	Intensity	Intensity
2	Intensity – Low	Red	Preset Colour Selection
3	Red – High Byte	Green	Timing
4	Red – Low Byte	Blue	
5	Green – High Byte	White	
6	Green – Low Byte	Preset Colour Selection	
7	Blue – High Byte	Not used (for future use)	
8	Blue – Low Byte	Timing	
9	White – High Byte	Control	
10	White – Low byte		
11	Preset Colour Selection		
12	Not used (for future use)		
13	Intensity Time		
14	Colour Time		
15	Control		

## Security

In the settings menu each feature (General, Presets, DMX, Fan Display) can be locked to prevent tampering.

A 4-digit password can be set for each of three different levels of security, within the settings menu, when in security level 3.

The fixture can be locked by scrolling to 'Lock Fixture' in the menu and choosing 'Yes' when asked if you want to lock the fixture. To unlock the fixture the chosen password will be required.

## Service and Maintenance

Philips Selecon has manufactured this luminaire in accordance with recognised best practices to recommended international safety standards. It is your responsibility to maintain this luminaire in good and safe working condition. Repairs should only be carried out by suitably qualified persons. Do not operate the luminaire with cracked body, damaged cable etc. Consult your Philips Selecon distributor for assistance. Only replace damaged parts with authorised Philips spares.

Being a solid-state fixture the PLProfile1 requires very little routine maintenance by the user.

## LIMITED 3-YEAR WARRANTY

Philips Selecon warrants its luminaires against defects in materials or workmanship. The term of this warranty is based on the product usage and is from the date of delivery. Entertainment, Theatre relates to the typical conditions found in a theatre performance venue viz: 4 – 6 hrs per day, six days per week.

## WARRANTY REGISTRATION: [www.seleconlight.com/warrantyreg](http://www.seleconlight.com/warrantyreg)

Take full advantage of the Philips Selecon service commitment and **register all your new Philips Selecon luminaires quickly and easily online** for full after-sales support.



These luminaires are not suitable for outdoor use. They do not have an IP rating.

If you require further assistance please contact your Philips Selecon dealer: [www.seleconlight.com/distributors](http://www.seleconlight.com/distributors)