

Product Description

The Vega AR series is the most functional area/site luminaire in the industry. Embracing the typical European and American slim style, thermal and optical integrated modular system, multiple options of light distribution, and tool-free installation and maintenance, the Vega offers a full solution with a wide range installation interface coupled with various control methods.

> Standard Ship Product - 30 Day Lead Time

Project:		Type:
Location:		
Prepared By:		Date:
Comments:		

Performance Summary

- CREE XLamp XPG2 LEDs with high efficacy >100 Lm/W
- Patented heat dissipation design for optimum efficiency
- Available in 10 IES light distributions
- Solid State with high-shock and vibration resistance
- Die-cast aluminum housing with custom finishes
- Modular design for easy maintenance or upgrade
- 4 screws and a quick wire disconnect on the LED modules
- 90 degree 2 3/8" OD knuckle with angle adjustment
- High CRI - RA>75 enhances all original colors
- Philips Xitanium 0-10V dimming power supply
- WAGO quick wire disconnects on the power supply
- Top panel knock out for optional photocell
- Power cord and dimming cable whips for quick installation
- Contains no mercury or lead and cool to the touch
- No infrared or UV radiation - reduced insects
- Operating Temperature: -40 to 55 degrees celsius
- 100,000 hour LED life - 700mA drive current
- Certifications: CE, FCC, RoHS, cUL, UL - IP66 outdoor rated
- 5 year system warranty

VEGA AR SERIES

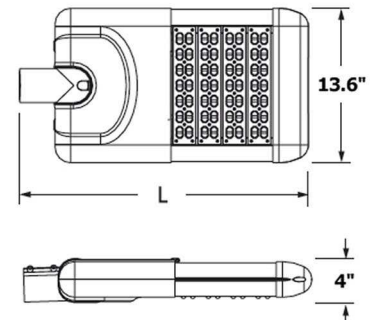
Modular Design with Rotating Knuckle Mount
LED Dimmable Luminaire



LED POWERED BY:
CREE

Models:

- VVDAR028: 28 LEDs - 62W - 5800 Lm - 22.2" (L) - 17.9 lbs - EPA 1.31
- VVDAR042: 42 LEDs - 93W - 8800 Lm - 24.6" (L) - 19.2 lbs - EPA 1.45
- VVDAR056: 56 LEDs - 123W - 12300 Lm - 27.1" (L) - 20.9 lbs - EPA 1.59
- VVDAR070: 70 LEDs - 155W - 15500 Lm - 29.5" (L) - 22.3 lbs - EPA 1.72
- VVDAR084: 84 LEDs - 185W - 18500 Lm - 31.9" (L) - 26.0 lbs - EPA 1.86
- VVDAR098: 98 LEDs - 216W - 21600 Lm - 34.4" (L) - 27.8 lbs - EPA 2.00
- VVDAR112: 112 LEDs - 246W - 24600 Lm - 36.9" (L) - 29.1 lbs - EPA 2.21
- VVDAR126: 126 LEDs - 277W - 27700 Lm - 39.3" (L) - 30.6 lbs - EPA 2.34
- VVDAR140: 140 LEDs - 308W - 30800 Lm - 41.7" (L) - 32.4 lbs - EPA 2.48



Ordering Information:

Part Number:

MOQ = 2 Units

*Adder Applies

**All models cUL Listed - VVDAR028 not available

Ordering Example: VVDAR014-N-S5M1-V27-BK-ND

Family	CCT	Optic	Voltage	Finish	Dimming	Accessories*
VVDAR028 VVDAR042 VVDAR056 VVDAR070 VVDAR084 VVDAR098 VVDAR112 VVDAR126 VVDAR140	W - 3000K N - 4000K P - 5000K C - 6500K	S1S1 - 95 x 85 - Type I Short S1S2 - 95 x 85 - Type I Short Anti-Glare A2M1 - 150 x 75 - Type II Medium A2M3 - 145 x 65 - Type II Medium A3L2 - 155 x 100 - Type III Long A3M2 - 145 x 45 - Type III Medium S5M1 - 75 Degree - Type V Medium S5N2 - 18 Degree - Type V Narrow S5W2 - 145 Degree - Type V Wide S7M1 - 130 x 30 - Type VII Medium	V27 - 100-277V V48 - 347-480V** D12 - 12V DC D24 - 24V DC	BK - Black SG - Silver Gray WT - White BZ - Bronze CS - Custom (Specify Pantone)	ND - No Dim D1 - 0-10V Dim DL - Dali PD - Program Dim* (Specify Time Schedule)	PC - Photocell System SC - Shorting Cap OC - Open Cap RC - Instant Electromagnetic TR - Twist Lock Receptacle



Vivid Leds, Inc.
PO BOX 9
Sellersburg, IN 47172
800-974-3570
www.vividleds.us

Dimensions, specifications, and product pictures are subject to change without notice.



A1