

**UNITED STATES DISTRICT COURT  
DISTRICT OF NEBRASKA  
OFFICE OF THE CLERK**  
[www.ned.uscourts.gov](http://www.ned.uscourts.gov)

September 3, 2010

Re: DC-10-ZWART Furniture

To whom this may concern:


The United States District Court is requesting proposals for a suite of furniture for a Judge Chamber that is located in Lincoln, Nebraska. This project will be competitively bid among several vendors.

Proposals may be mailed, faxed, e-mailed or hand carried to the contact listed below by 4:30 p.m. CST September 13, 2010. Any proposal received after the listed date and time may not be considered.

Terry Smedra - Contracting Officer  
U.S. District Court, c/o Admin Services  
111 South 18<sup>th</sup> Plaza, Suite 1152  
Omaha, Nebraska 68102-1322  
(402) 661-7387 fax  
[terry\\_smedra@ned.uscourts.gov](mailto:terry_smedra@ned.uscourts.gov)

All questions must be submitted by email to the above email address.

Sincerely,



Terry Smedra  
Contracting Officer

Enclosures (\_4\_)

## REQUEST FOR QUOTE (RFQ)

RFQ Number: DC-10-ZWART Furniture  
Request Date: September 3, 2010

---

To:

---

### Special Notes:

This is a request for **Open Market Pricing**. This request will be competitively bid among several vendors.

All items should be quoted **F.O.B. Destination**. (The seller owns the goods in transit and is responsible for freight charges and assists with the settlement of claims and is responsible for full replacement of damaged items.)

**IMPORTANT:** This is a request for quote. If you are unable to submit an offer, please indicate so on this form and return it to the Contracting Officer listed below.

This request does not commit the government to pay any costs incurred in the preparation of the submission of your offer or to contract for supplies or service should none of the vendors meet the necessary specifications.

Proposals must be delivered to the Contacting Officer listed below by **September 13, 2010, at 4:30 CST**. Mailed, faxed, hand carried or e-mailed proposals will be accepted and must be delivered by the date and time noted above. Any proposal received after the above listed date will not be accepted.

**Completely fill out the attached vendor information sheet as part of the submission of your quote. A fixed-price award from this RFQ will be made based on the lowest-priced, technically acceptable offer. Vendors are urged to submit their best and final offer because no negotiations will take place after offers are received.**

Proposal submissions and questions concerning this RFQ should be addressed to:

Terry Smedra, Contracting Officer  
U.S. District Court, c/o Admin Services  
111 South 18<sup>th</sup> Plaza, Suite 1152  
Omaha, Nebraska 68102-1322  
(402) 661-7367, (402) 661-7387 fax  
[terry\\_smedra@ned.uscourts.gov](mailto:terry_smedra@ned.uscourts.gov)

or

Stacy Felker, Facilities Specialist  
U.S. District Court, c/o Admin Services  
111 South 18<sup>th</sup> Plaza, Suite 1152  
Omaha, Nebraska 68102-1322  
(402) 661-7354, (402) 661-7387 fax  
[stacy\\_felker@ned.uscourts.gov](mailto:stacy_felker@ned.uscourts.gov)

All questions concerning this RFQ must be addressed in writing by e-mail or fax. All questions will be answered in writing.

Sincerely,  
Terry Smedra  
Contracting Officer

Attachments (3)

**Vendor Information Sheet for RFQ Number: DC-10-ZWART Furniture**

\_\_\_\_\_  
Vendor's Name

\_\_\_\_\_  
Vendor's Phone Number/fax number/e-mail address

\_\_\_\_\_  
Vendor's Street Address

\_\_\_\_\_  
Vendor's City, State, and Zip Code

\_\_\_\_\_  
Signature of Person Authorized to Sign Quote

\_\_\_\_\_  
Date

\_\_\_\_\_  
Quantity Discount

\_\_\_\_\_  
Tax Identification Number

\_\_\_\_\_  
Printed or Typed Name of Signatory

\_\_\_\_\_  
Discount Terms or Net 30?

\_\_\_\_\_  
Performance Start Date

\_\_\_\_\_  
Data Universal Number System  
(DUNS)

# Statement of Work

---

## Introduction

The U.S. District Court for the District of Nebraska is looking for a company to provide furniture for a judges chamber, reception area, law clerk office and courtroom in the Denney Federal Building. The attached specification provides the required furniture pieces, finishes and fabrics.

---

## Scope

The company shall provide:

- All items listed on attached specification spreadsheet or equal.
- 

## Cost Proposal

Cost proposal shall include:

- All furniture specified.
  - Delivery to vendor's warehouse.
  - Installation at the Denney Federal Building, 100 Centennial Mall N, Lincoln, Nebraska. Furniture shall be ordered, delivered and installed within 12 weeks of receipt of Courts purchase order or purchase order can be cancelled.
- 

## Installation

- Installation at the Denney Federal Building, 100 Centennial Mall N, Lincoln, Nebraska
  - Installation date and time shall be coordinated with the Facilities Specialist. **If the delivery of any product is going to be longer than 8-12 weeks due to current lead times, furniture rep must notify Facilities Specialist immediately.**
- 

## Award

Providing all of the above specifications listed in the *Scope* are met, award will be made to the vendor with the lowest total cost, **including** delivery, installation. A purchase order will be issued for this furniture. By Federal Law, the U.S. District Court pays for all service and equipment charges in arrears.

It is anticipated that the award of this RFQ will be made within 5 working days after proposals are received. The court will notify each vendor if more time is needed to evaluate the proposals.

Once a purchase order has been accepted by the company by **either** signing the purchase order **or** delivering/installing the furniture, this RFQ will become the basis for the contract. All of the terms and conditions listed in this RFQ will remain in effect for the life of the furniture in addition to the terms and conditions listed on attachment 3.

**The company that is selected for this award must abide by all of the terms and conditions listed in Attachment 3.**

**PURCHASE ORDER TERMS AND CONDITIONS  
Provisions and Clauses**

**1) Provision B-1, Solicitation Provisions Incorporated by Reference (AUG 2004)**

This solicitation incorporates one or more solicitation provisions by reference, with the same force and effect as if they were given in full text. Upon request, the contracting officer will make their full text available. The offeror is cautioned that the listed provisions may include blocks that must be completed by the offeror and submitted with its quotation or offer. In lieu of submitting the full text of those provisions, the offeror may identify the provision by paragraph identifier and provide the appropriate information with its quotation or offer. Also, the full text of a solicitation provision may be accessed electronically at this address: <http://www.uscourts.gov/procurement/clauses.htm>

**2) Clause B-5 Clauses Incorporated by Reference (AUG 2004)**

This procurement incorporates one or more clauses by reference, with the same force and effect as if they were given in full text. Upon request, the contracting officer will make their full text available. Also, the full text of a clause may be accessed electronically at this address: <http://www.uscourts.gov/procurement/clauses.htm>

**3) The following clause is included by reference:**

**Provision 2-15, Warranty Information**

**Clause 3-3, Provisions, Clauses, Terms and Conditions - Small Purchases (AUG 2004)**

**Clause 7-100A, Limitation of Liability (Products)**

**Clause 7-100B, Limitation of Liability (Services)**

**Clause 7-135, Payments**

**Clause 7-140 -Discounts for Prompt Payment (JAN 2003)**

**Clause 7-220, Termination for Convenience of the Judiciary (Fixed-Price)**

**Clause 7-230, Termination for Default (Fixed-Price - Products and Services)**

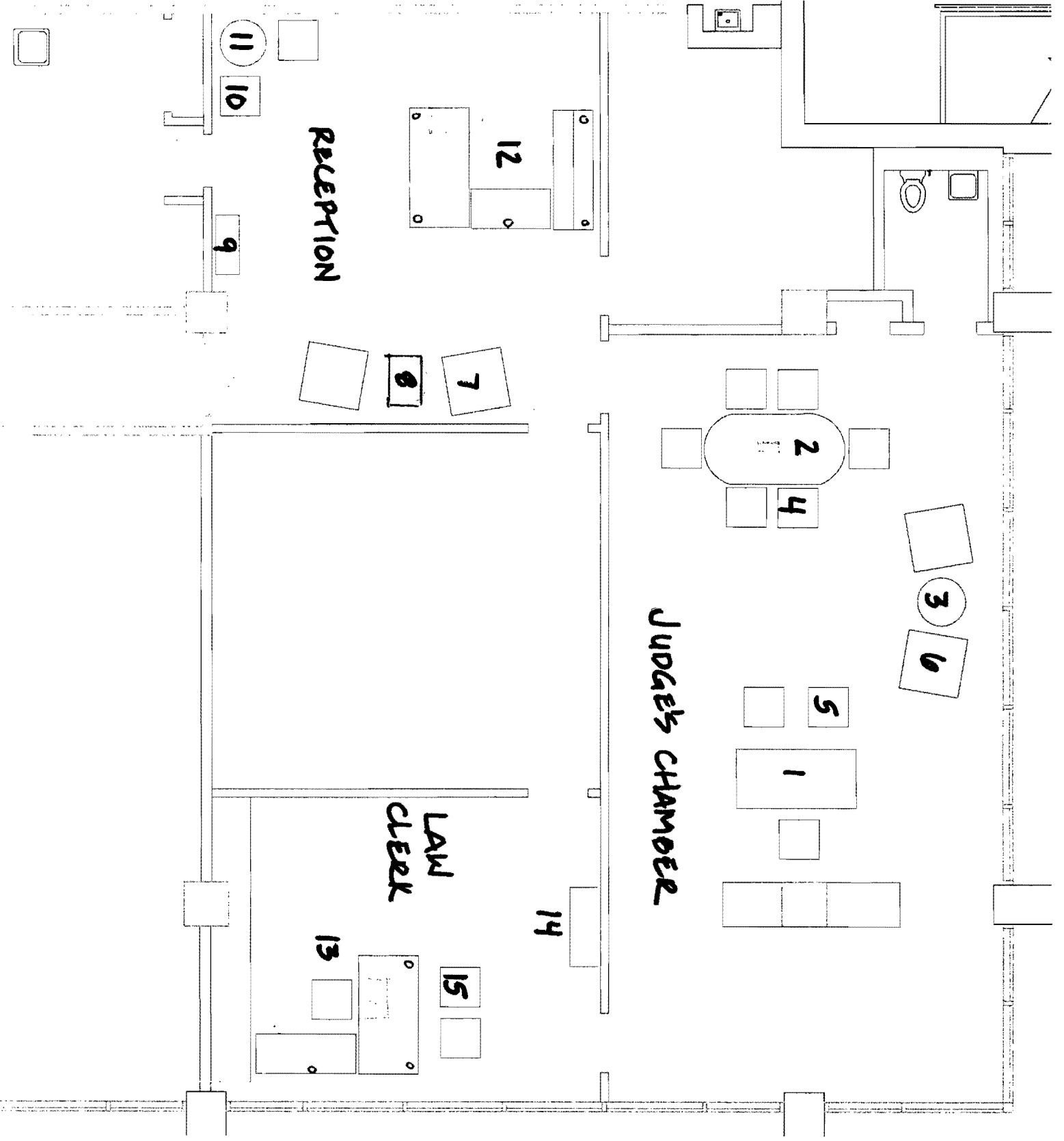
**Clause 7-235 -Disputes (JAN 2003)**

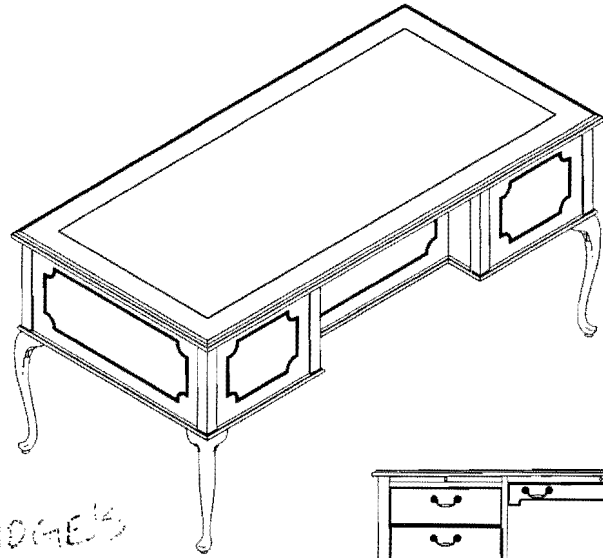
**Clause 7-30 - Public Use of the Name of the Federal Judiciary (JAN 2003)**

Item	Room	Item	Manufacturer	Product Line	Product Number	Description	Quantity	Wood Finish	Fabric/Leather	Notes
1	Judge Zwart Chamber	Table Desk	Darran	Woodbury	WCT 7236910	Queen Anne Three Quarter Table Desk, Standard PL5 Antique Brass Pulls, T10 Ebony Inlay w/out Fans, Traditional Edge	1	Medium Moabi - WMB	NA	
2	Judge Zwart Chamber	Conference Table	Darran	Woodbury	CT4 8442RT	42 x 84 Racetrack Conference Table, SWJ Woodbury/Jamestown Edge, Traditional Cube Base, Touch-Lift Mini Interport PDTL-1 black, 2- RJ45 connectors (centered in table),	1	Medium Moabi - WMB	NA	
3	Judge Zwart Chamber	End Table	Darran	Traditional Tables	QAP 1818359	Q 18 dia x 25 1/2 Queen Anne Pedestal Table Bookmatch Face	1	Medium Moabi - WMB	NA	
4	Judge Zwart Chamber	Conference Chairs	Paoli	Martha Washington	P-873	Executive Tilt Swivel Standard with Pneumatic Lift, Fabric capped arms.	6	Cordovan Cherry Chair	Paoli, B31153 Cadet Blue	
5	Judge Zwart Chamber	Side Chairs	Jofco	Windsor	UGA8081	Windsor Collection Guest Seating	2	Merlot on Cherry	Maharam, Orissa 460340: 005 Balance	
6	Judge Zwart Chamber	Lounge Chairs	Leathercraft	Chair	2832	Lounge chair w/out nail trim	2	Maple, 6, Brown Cherry	Robert Allen, Gyllenhaal, Color: Steel	
7	Reception Area	Lounge Chairs	St. Timothy	Lounge Chair	S-4331	Wing Back Lounge Chair with Wood Feet	2	Henna on Maple	Momentum, Ardour, Plum	
8	Reception Area	End Table	St. Timothy	End Table	S-T211QA	Rectangular End Table H23 W26 D22	1	Henna on Maple	NA	
9	Reception Area	Occasional Table	St. Timothy	Occasional Table	S-T9189	Half Round Occasional Table with Scalloped Front	1	Henna on Maple	NA	
10	Reception Area	Side Chairs	St. Timothy	Side Chairs	S-631	Side Chairs with Upholstered Back and Seat, Wood Arms and Legs	2	Henna on Maple	Momentum, Gig, Purple Haze	
11	Reception Area	End Table	Darran	Queen Anne	QAP 2424359	Q 24Dia x 25 1/2 Queen Anne Pedestal Table, Bookmatch Face,	1	Medium Moabi - WMB	NA	

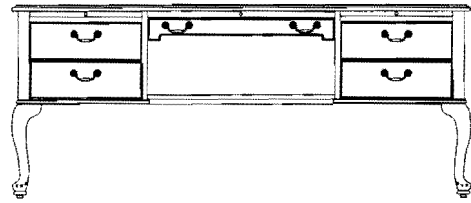
Item	Room	Item	Manufacturer	Product Line	Product Number	Description	Quantity	Wood Finish	Fabric/Leather	Notes
12	Reception Area	U-Shaped Desk	Darran	Jamestown	See Attached Drawing	handed, Bowfront with Huth above Credenza, tack board and task light beneath hutch, box/box/file beneath desk, Standard DK4 Antique Brass Knob on hutch and Standard PL4 Antique Brass pulls on desk, Overhead console with beveled glass doors on outside and D1 raised wood inserts on center doors. Grommet locations shown on drawing.	1	Medium Moabi - WMB	Fabric on tackboard: Guilford of Maine, Crosstown 2526, 060 Fieldstone	
13	Law Clerk Office	L-Shaped Desk	Darran	Jamestown	See Attached Drawing	L-Shaped Desk, non-handed with box/box/file beneath return, center drawer beneath desk, PL4 Standard Antique Brass Pulls on desk.	1	Medium Moabi - WMB	NA	
14	Law Clerk Office	Open Bookcase with Panel Doors at Bottom	Darran	Jamestown	See Attached Drawing	Open Bookcase with panel doors at bottom, modular cornice top and base, 74 1/4" H x 35" W, Standard DK4 Antique Brass Knob on bookcase.	1	Medium Moabi - WMB	NA	
15	Law Clerk Office	Side Chairs	St. Timothy	Side Chairs	S-631	Side Chairs with Upholstered Back and Seat, Wood Arms and Legs	2	Henna on Maple	Arc Com, Tempo, AC-69348, Amethyst #9	
16	Courtroom	Conference Table	Darran	Woodbury	CT4 7236 RE, SWJ Woodbury Edge, Full Traditional cube base with access doors TTC 1616	Rectangular conference table with hole cut by Darran to accept Altinex CNK240 Cable Nook Tabletop Interconnect Box, to be installed by court.	2	Medium Moabi - WMB	NA	

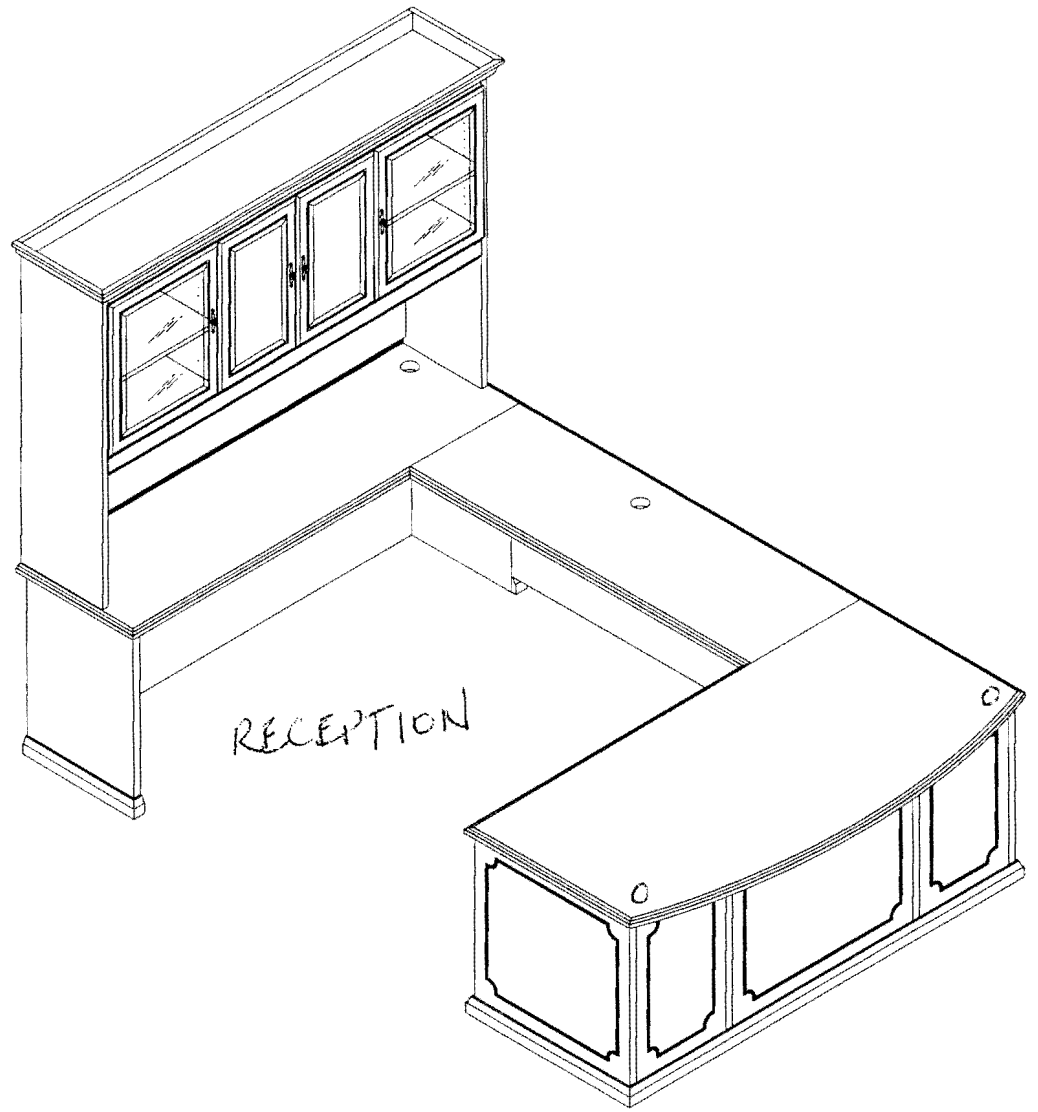


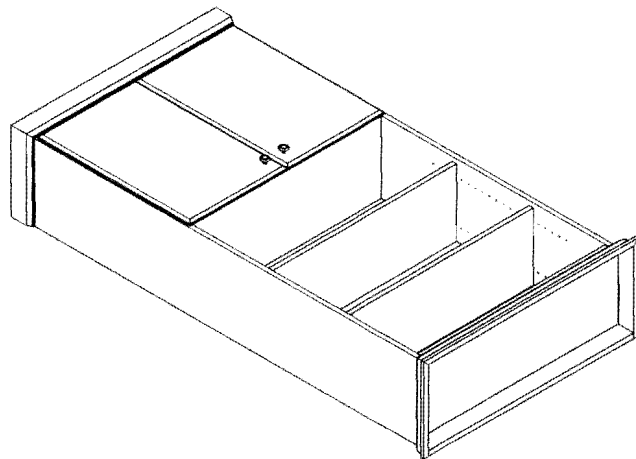
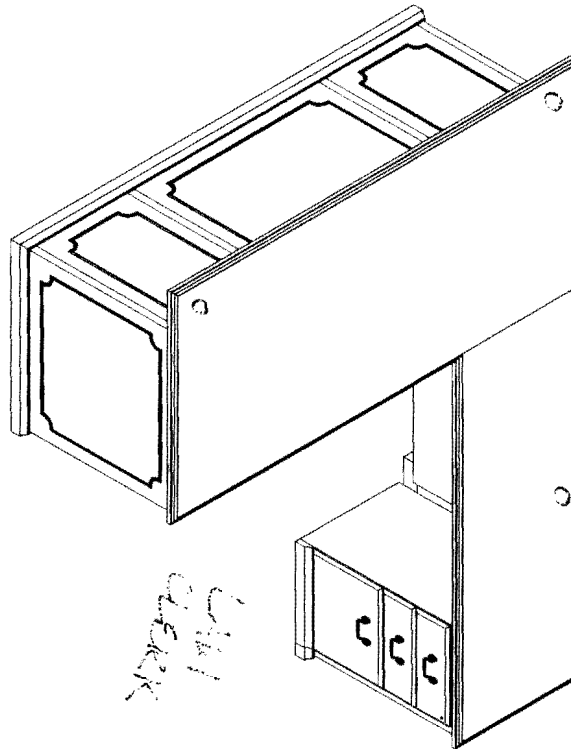


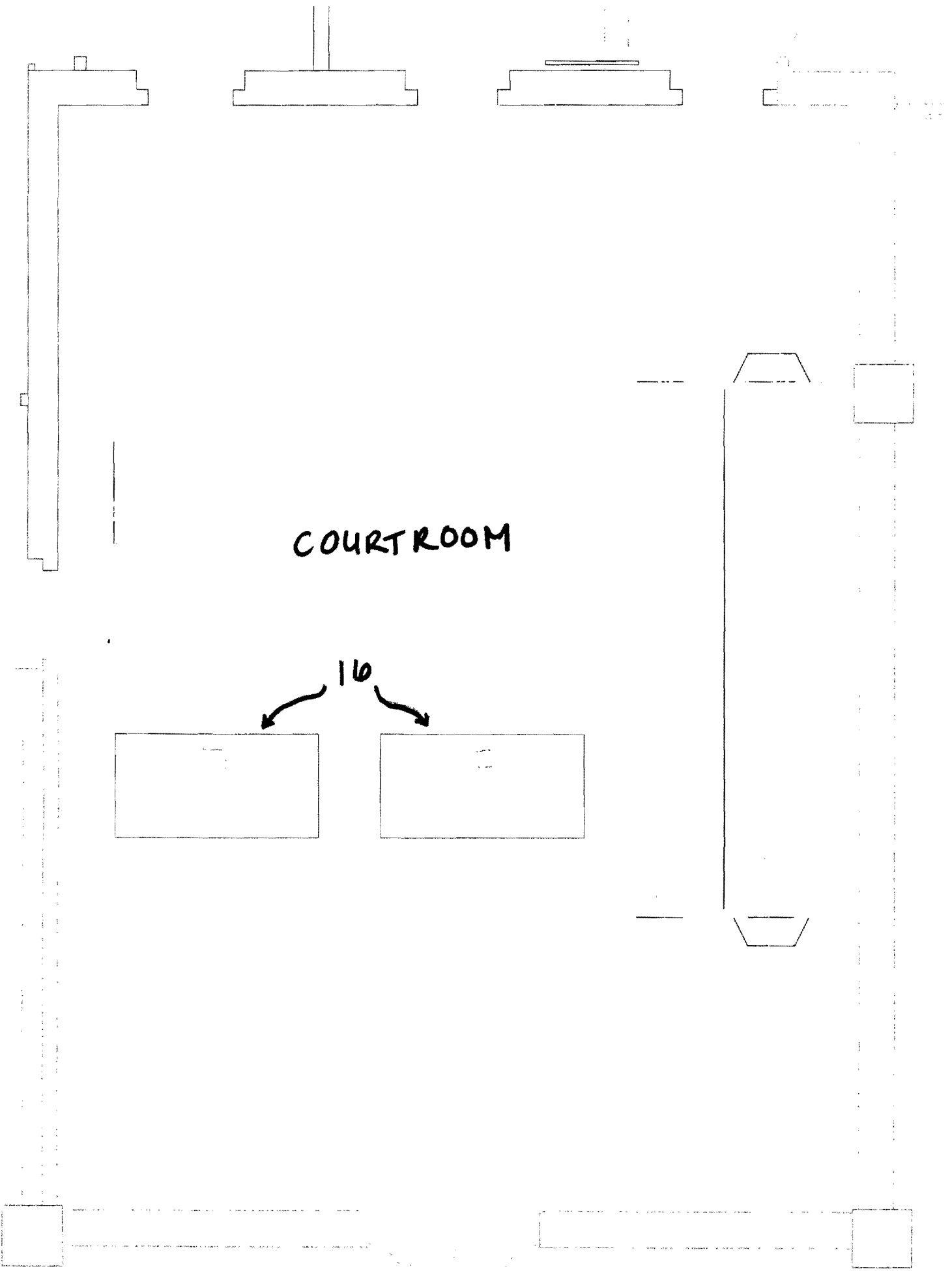


JUDGE'S  
CHAMBER









COURTROOM

10



*Refer to  
item # 16*

**ALTINEX, Inc.**  
592 Apollo Street, Brea, CA 92821 USA

**Sales**  
Toll Free 1-800-ALTINEX  
T: +1-714-990-2300  
F: 714-990-3303

## CNK240

### Cable-Nook™ Tabletop Interconnect Box

- Compact enclosure installs into tabletop
- Convenient access to cable ends or fixed connectors
- Optional retaining bracket adjusts for range of cable types
- Modular configuration: more room for additional connectors
- Simple, cost-effective interconnect solution



Want to tell us what you think?  
Feel free to post your comments here:  
(Please include your email address if you  
would like us to respond.)

Send



PDF Cutout



DXF Cutout (right click & save)



User Guide

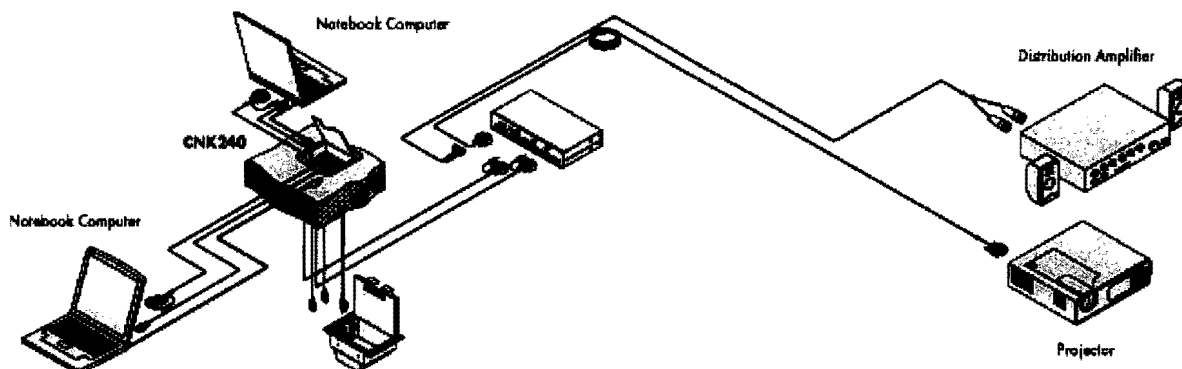


Printable Version

This package covers the basic usage needs of many Cable-Nook users as it supplies power receptacles and retaining brackets to hold cable ends. Brackets may also be removed to accommodate bulkier cable. Some assembly required.

This product includes the CNK200 Cable-Nook, the CN5008US dual AC power insert plate, and CN5010RB set of five retaining brackets.

### Application Diagram

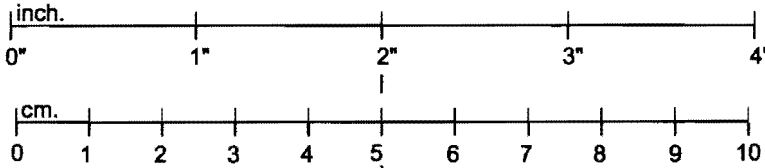


# 1. STOP

# 2. MEASURE

# 3. CUT

VERIFY ALL DIMENSIONS TO ENSURE THAT THIS PRINT IS 1 TO 1 SCALE.

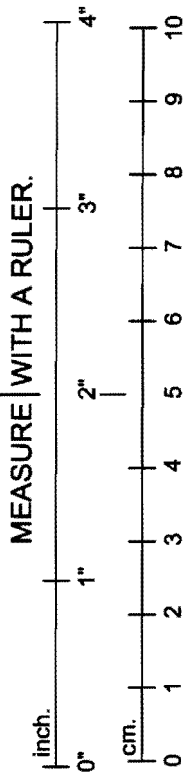


Document p/n:  
250-0682-002  
Page 1 of 1

THIS IS A PRECISION CUT-OUT TEMPLATE.  
DO NOT SCALE OR ADJUST!

MEASURE WITH A RULER.

4x R.500"  
[R12.70mm]



MEASURE WITH A RULER.

7.360"  
[186.94mm]

6.030"  
[153.16mm]

FRONT  
FRONT

FRONT  
FRONT

ALTINEX, INC. IS NOT RESPONSIBLE FOR ANY DAMAGE TO A TABLE OR DESK.

CUT TO THE OUTSIDE OF THE LINE.

**ALTINEX**<sup>®</sup>

ALTINEX, INC. MODEL NUMBERS:

TNP510	TNP510C	PNP400	PNP400C
TNP512	TNP512C	PNP402	PNP402C
CNK240	CNK240C	CNK200	CNK200C

# 1. STOP

# 2. MEASURE

# 3. CUT