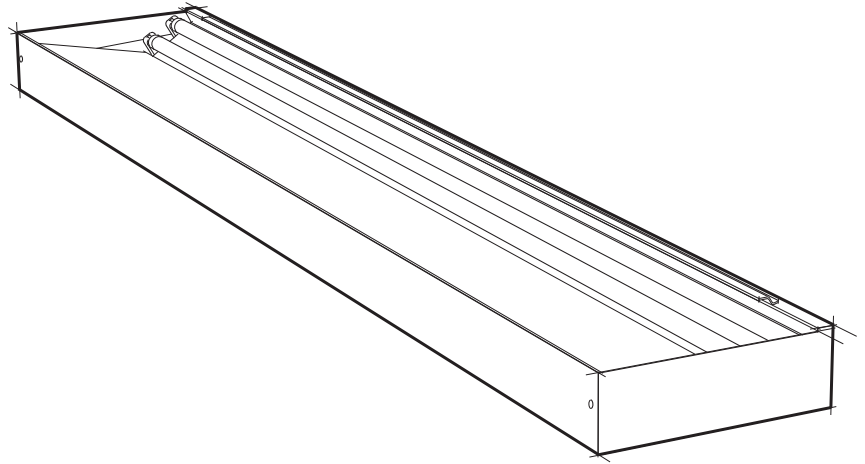
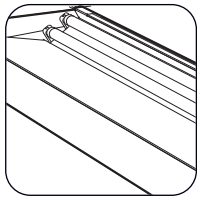
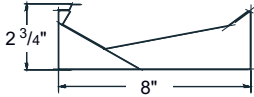


Cove & Perimeter **P45i**



ordering

series	lamp rows	nominal length	color/finish	circuiting	voltage	options	
P45i							
	1T8	02'	TMW textured matte white	SC single circuit	120	EML*	
	2T8	03'			277	EMH*	
	1T5	04'	YGW* gloss white	DC* dual circuit (in-line)	347	DM	
	2T5	06'	Y__ premium color		UNV*	RSE**	
	1T5HO	08'	CC custom color	*2 lamp rows only	*120-277	10THD**	
	2T5HO	R__*	*standard			B_	
	1BX39w (3' and 6' only)	*row length				FH	
	1BX_w*					ADC†	
	* Biax specify 40w, 50w, 55w						*consult factory for fixture lengths < 4'
							**T8 only
							†consult factory for restrictions

Applications Coves, retail, lobbies, small offices, conference rooms.

Features An asymmetric one- or two-lamp indirect cove system. Formed Miro®IV aluminum specular reflector throw light forward at low angles, mitigating excess brightness on the ceiling above and the wall behind the fixture.

Construction The housing, available in 2-, 3-, 4-, 6- or 8-foot standard lengths, and finish plates are made of die-formed, 20-gauge steel.

Finish The standard exterior body color is gloss white (YGW) using polyester powder paint. Refer to the **Color Selector** for paint colors.

Electrical T8 fixtures have instant start electronic ballasts with less than 20% THD. T5/T5HO fixtures have programmed-start electronic ballasts with less than 10% THD. Fixtures are U.L. Damp labeled (non-emergency) and I.B.E.W. manufactured. Maximum ballast size available: 2.4" width x 1.5" height.

Mounting Fixture is to be surface-mounted within concealed coves or surface mounted as an architectural cove.

Options **EML:** emergency battery (600-700 lumens); **EMH:** emergency battery (1100-1400 lumens); **DM:** dimming (specify manufacturer, voltage and other requirements); **RSE:** rapid start electronic (T8 only); **10THD:** ballast with <10% total harmonic distortion (T8 only); **B_:** specific ballast, specify manufacturer and catalog number (consult factory); **FH:** fixture fusing (slow blow). **ADC:** acrylic dust cover (consult factory for restrictions).

Prudential reserves the right to change design specifications or materials without notice.

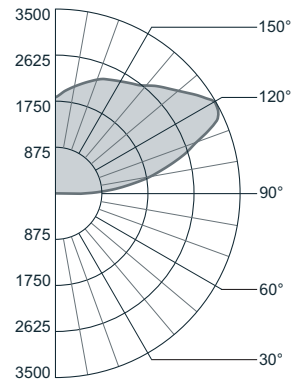


P45i Cove & Perimeter

photometric data

P-45i-2T5HO-04-TMW

Report # LSI19193 D=0.0% I=100%
Lamp Lumens: 4500 Input Watts: 114



Candlepower Summary

Vertical Angle	Horizontal Angle					Output Lumens
	0°	22.5°	45°	67.5°	90°	
90	5	231	319	367	379	
95	88	734	992	1114	1151	464
100	235	1191	1562	1739	1784	
105	392	1256	2090	2278	2323	918
110	552	1306	2490	2800	2829	
115	711	1377	2439	3216	3399	1111
120	864	1482	2366	3180	3491	
125	1011	1585	2317	2996	3274	1013
130	1150	1685	2253	2825	3047	
135	1281	1770	2223	2688	2869	846
140	1402	1823	2218	2535	2687	
145	1512	1866	2210	2460	2556	673
150	1610	1904	2210	2397	2469	
155	1696	1935	2174	2345	2396	491
160	1767	1950	2122	2258	2309	
165	1823	1952	2066	2153	2187	290
170	1863	1935	2005	2052	2070	
175	1887	1898	1926	1946	1955	94
180	1838	1838	1838	1838	1838	

Zonal Lumen Summary

Zone	%Lamp	%Luminaire
0-90	00.00	00.00
90-180	82.50	100.00

Efficiency = 82.5%

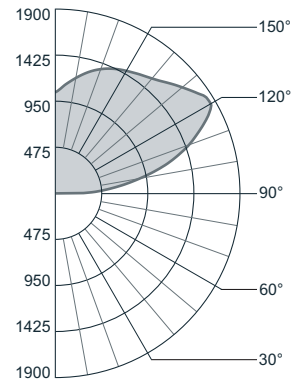
Coefficients of Utilization (%)

Floor Ceiling Wall	effective floor cavity reflectance = .20											
	80	70	50	30	10	70	50	30	10	50	30	10
RCR 0	79	79	79	79	67	67	67	67	46	46	46	46
1	71	68	65	63	61	58	56	53	40	39	37	37
2	65	59	55	51	55	51	47	44	35	33	31	31
3	59	52	47	42	50	45	40	37	31	28	26	26
4	54	46	40	35	46	39	34	31	27	24	22	22
5	49	40	34	30	42	35	30	26	24	21	18	18
6	45	36	30	26	38	31	26	22	21	18	16	16
7	42	32	26	22	35	28	23	19	19	16	14	14
8	38	29	23	19	33	25	20	17	17	14	12	12
9	35	26	20	17	30	23	18	15	16	13	10	10
10	33	24	18	15	28	20	16	13	14	11	09	09

photometric data

P-45i-2T8-04-TMW

Report # LSI19195 D=0.0% I=100%
Lamp Lumens: 2950 Input Watts: 58



Candlepower Summary

Vertical Angle	Horizontal Angle					Output Lumens
	0°	22.5°	45°	67.5°	90°	
90	1	109	187	235	249	
95	40	344	478	544	564	227
100	105	560	785	855	878	
105	185	652	1047	1167	1201	465
110	273	703	1258	1423	1468	
115	364	768	1318	1637	1687	583
120	455	841	1307	1728	1853	
125	543	911	1294	1656	1800	563
130	627	971	1288	1587	1706	
135	707	1022	1296	1522	1621	484
140	780	1061	1302	1480	1551	
145	847	1090	1303	1448	1504	393
150	908	1111	1300	1419	1462	
155	960	1124	1284	1384	1420	288
160	1004	1128	1252	1337	1365	
165	1037	1123	1209	1271	1294	169
170	1062	1108	1160	1195	1208	
175	1077	1083	1103	1116	1122	54
180	1046	1046	1046	1046	1046	

Zonal Lumen Summary

Zone	%Lamp	%Luminaire
0-90	00.00	00.00
90-180	68.06	100.00

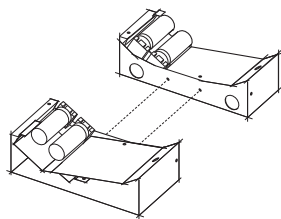
Efficiency = 68.1%

Coefficients of Utilization (%)

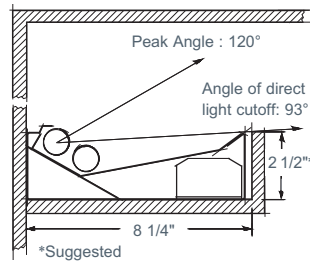
Floor Ceiling Wall	effective floor cavity reflectance = .20											
	80	70	50	30	10	70	50	30	10	50	30	10
RCR 0	65	65	65	65	55	55	55	55	38	38	38	38
1	59	56	54	52	50	48	46	44	33	32	31	31
2	53	49	45	42	46	42	39	36	29	27	25	25
3	49	43	39	35	42	37	33	30	25	23	21	21
4	45	38	33	29	38	33	28	25	22	20	18	18
5	41	33	28	25	35	29	25	22	20	17	15	15
6	37	30	25	21	32	26	21	18	18	15	13	13
7	34	27	22	18	29	23	19	16	16	13	11	11
8	32	24	19	16	27	21	17	14	14	12	10	10
9	29	22	17	14	25	19	15	12	13	10	09	09
10	27	20	15	12	23	17	13	11	12	09	07	07

installation

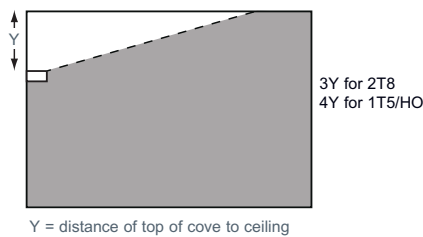
Adjoining Detail



Mounting Detail



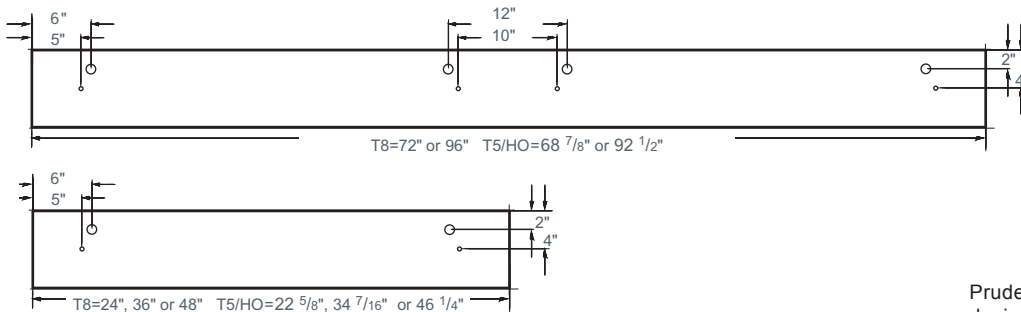
Mounting Guidelines



Distance from wall along ceiling

cove to ceiling	peak candela @ 120°	lamp cutoff @ 93°
12"	18"	181"
18"	28"	291"
24"	39"	400"

Mounting Locations



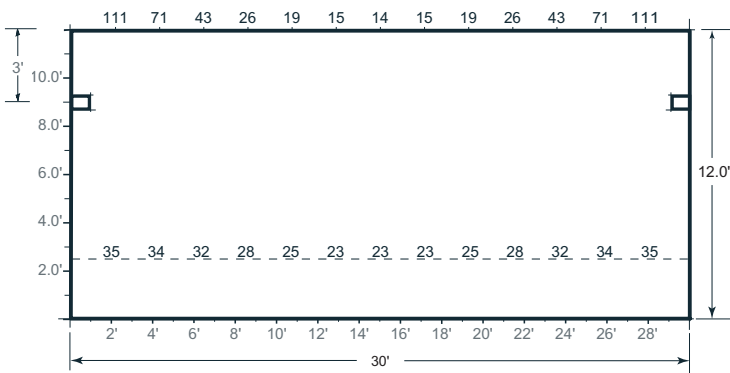
Prudential reserves the right to change design specifications or materials without notice.

cove lighting application

30' x 20' x 12' Multi - purpose room layout

Reflectances used: 80/50/20

--- Average Illuminance/Horizontal Grid (30" A.F.F.)
 --- Ceiling Uniformity/Horizontal Grid (Ceiling Surface)



2-20' Rows on 30' Centers – P-45i-2T8-04

Mounting Distance ceiling to center of lamp	Average Illuminance maintained (LLF = .85) (30" A.F.F.)	Ceiling Uniformity between fixtures	Watts/ Square Foot
18"	26.6 FC	27.7 : 1	.98
24"	26.5 FC	18.2 : 1	.98
36"	26.4 FC	10.0 : 1	.98

2-20' Rows on 30' Centers – P-45i - 2T5HO-04

Mounting Distance ceiling to center of lamp	Average Illuminance maintained (LLF = .85) (30" A.F.F.)	Ceiling Uniformity between fixtures	Watts/ Square Foot
18"	46.7 FC	26.9 : 1	2.1
24"	46.7 FC	19.4 : 1	2.1
36"	46.3 FC	10.0 : 1	2.1

Prudential reserves the right to change design specifications or materials without notice.