

# Parts Manual Manuel de pièces



## Hurricane 550 XTT

---

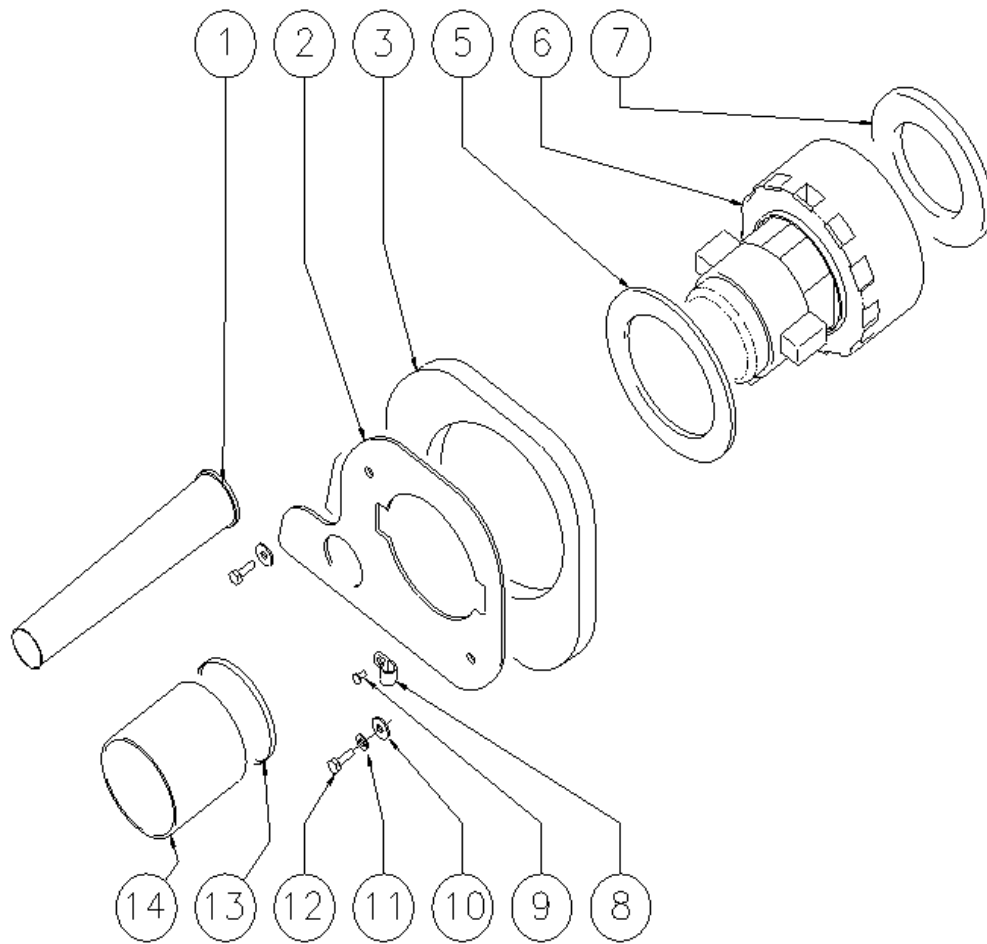
Automatic Scrubber

Code: 19365

Serial Number:  
Numéro de série : \_\_\_\_\_

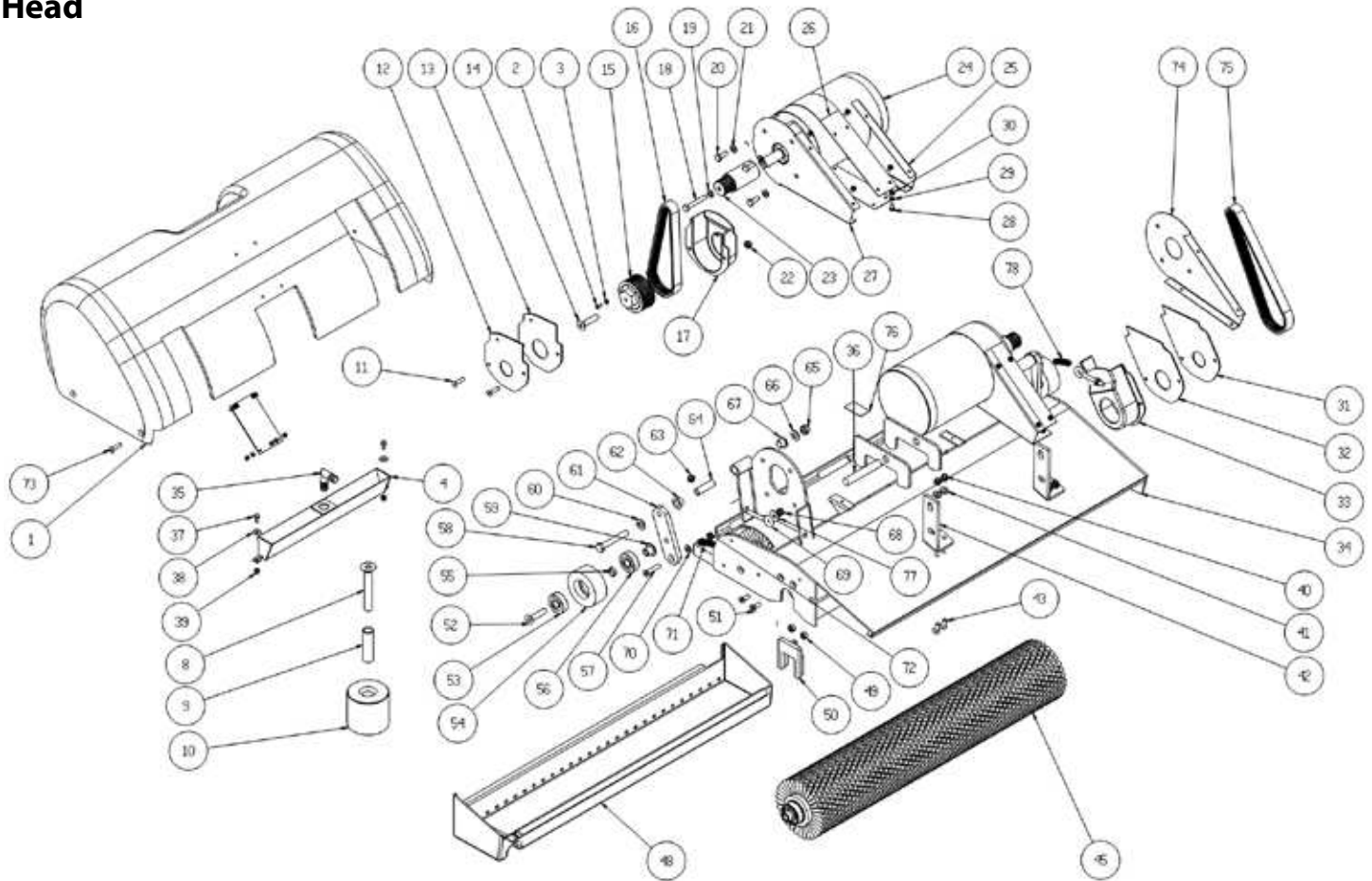
Date of Purchase:  
Date d'achat : \_\_\_\_\_

## Vacuum Cleaner



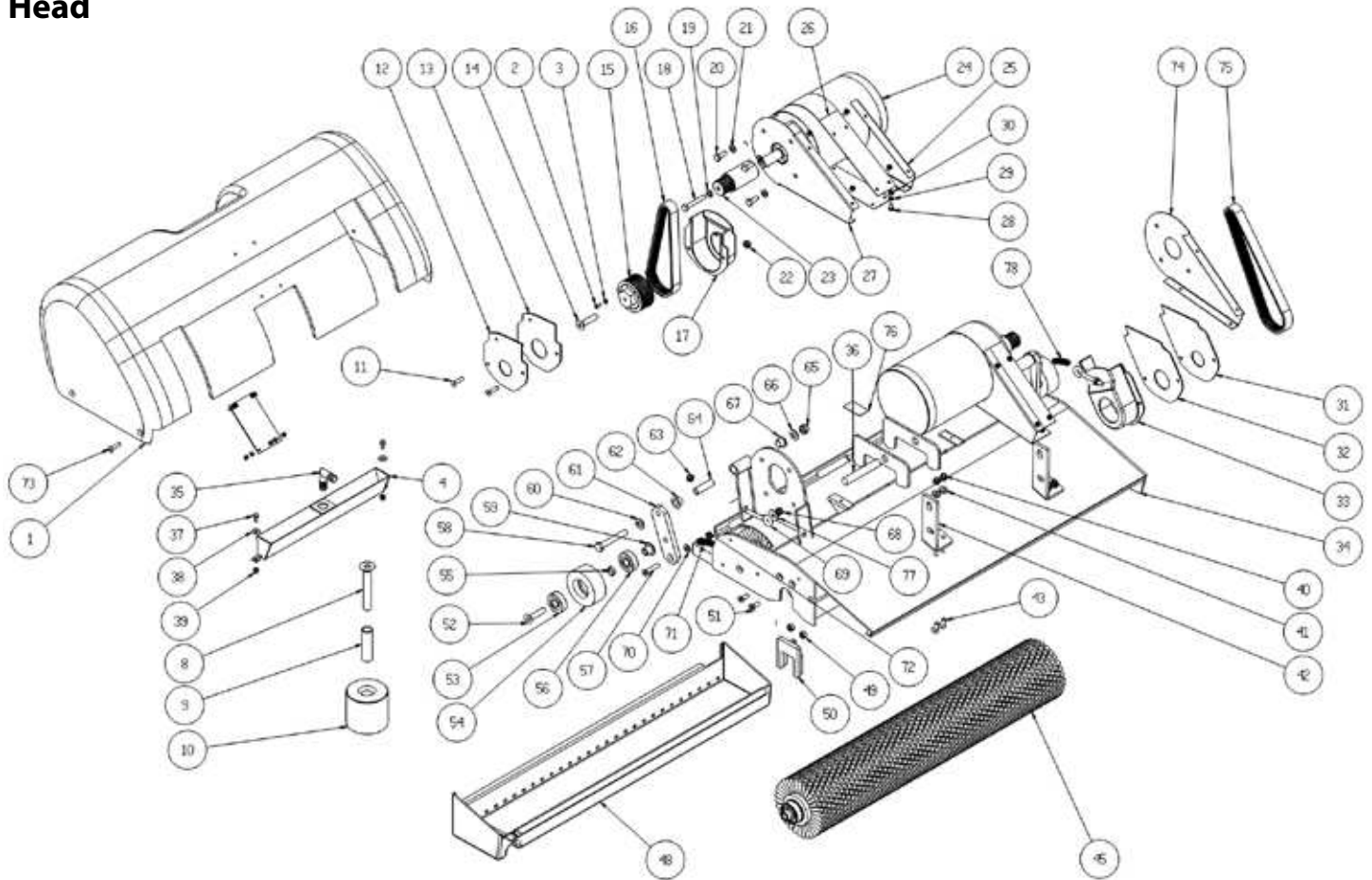
Ref.	Part N.	Description	Quantity	Validity From	Validity To
1	3MPVR05259	EXHAUST PIPE	1		
2	3LAFN06363	FLANGE VACUUM	1		
3	3MPVR05103	SOUND-PROOFING VACUUM	1		
5	3MPVR04724	FLANGE IN NYLON	1		
6	3MEVR05200	CARBON ENGINE ASP.AMET.116599-13	2		
6	3MOCC00349	MOTOR VACUUM 2 STAGES 24V	1		
7	3GUGO00272	GASKET VACUUM MOTOR	1		
8	3FSVR00099	CLAMP PIPE CLIP	1		
9	3VTVT00813	SCREW M 4X 8 TCB-TC UNI 8112	1		
10	3VTRS13945	WASHER D. 6X18 INX UNI 6593	2		
11	3VTRS15144	WASHER D. 6 INX GRW UNI 1751	2		
12	3VTVT15143	SCREW TE 6X16 UNI5739	2		
13	3FSVR00118	CLAMP D.94	1		
14	3TBFX00312	TUBE VACUUM	1		

# Head



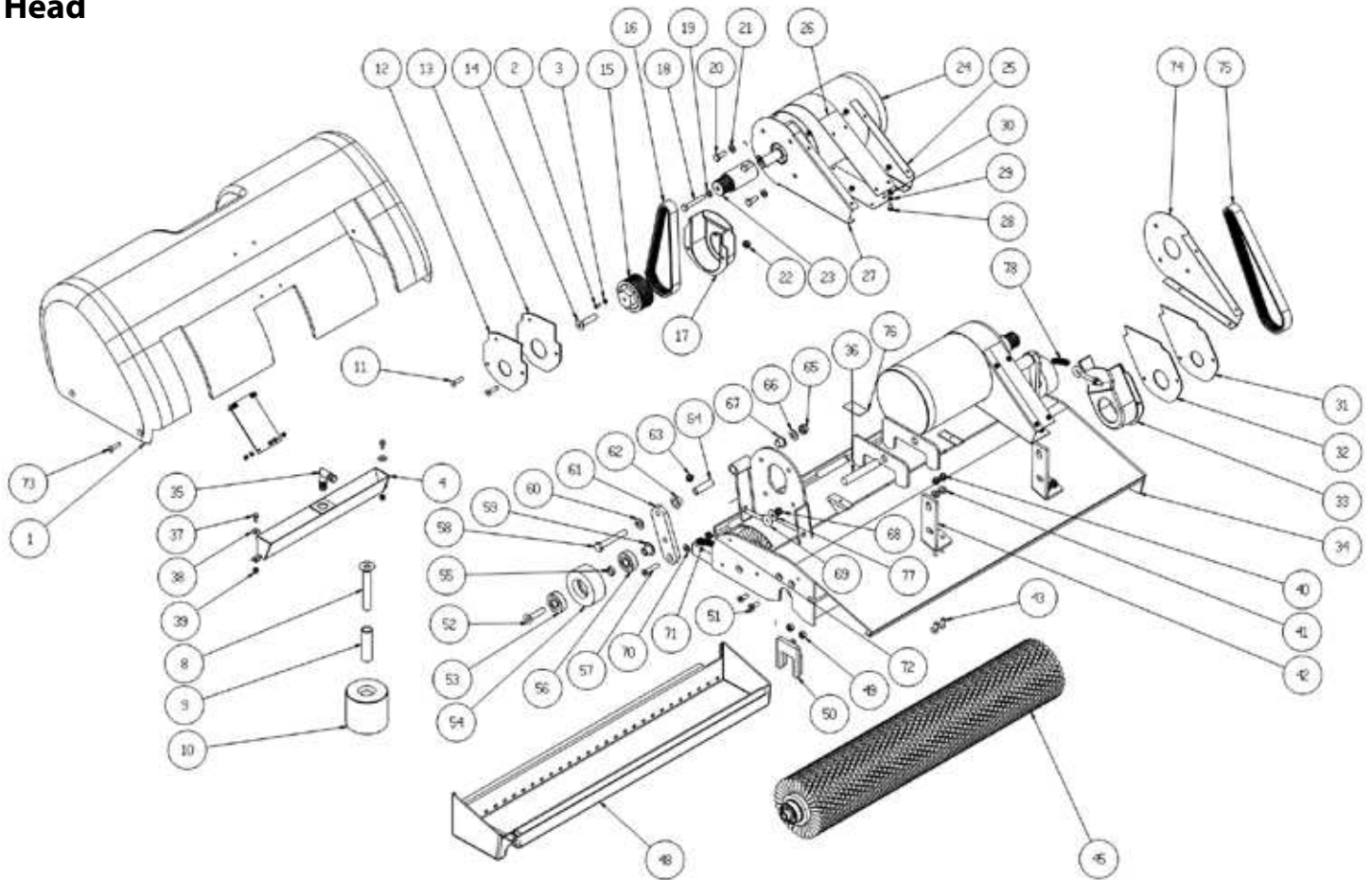
Ref.	Part N.	Description	Quantity	Validity From	Validity To
1	3MPVR05597	COVER	1		
2	3VTVT00722	SCREW	1		
3	3VTRS01579	WASHER D. 3 UNI 6592	1		
8	3VTVT00885	SCREW TSPEI M.12-80	2		
9	3LAFN04111	SPACER	2		
10	3MPVR05607	ROLLER	2		
11	3VTVT00704	SCREW TE M 4X 16 UNI5739 INOX 4			
12	3MPVR05602	CLOSURE	1		
13	3MPVR05756	GASKET	1		
14	3VTVT00750	SCREW TSPE M. 6-16 2			
15	3MTPL00208	PULLEY	1		
16	3MTCG00130	BELT POLI	1		
17	3MPVR05601	PROTECTION	1		
18	3VTVT15145	SCREW TE 6X40 UNI5739 INX	1		
19	3VTRS13945	WASHER D. 6X18 INX UNI 6593	1		
20	3VTVT15143	SCREW TE 6X16 UNI5739	8		
21	3VTRS15144	WASHER D. 6 INX GRW UNI 1751	8		
22	3VTDD15925	NUT M 4 INX	4		

## Head



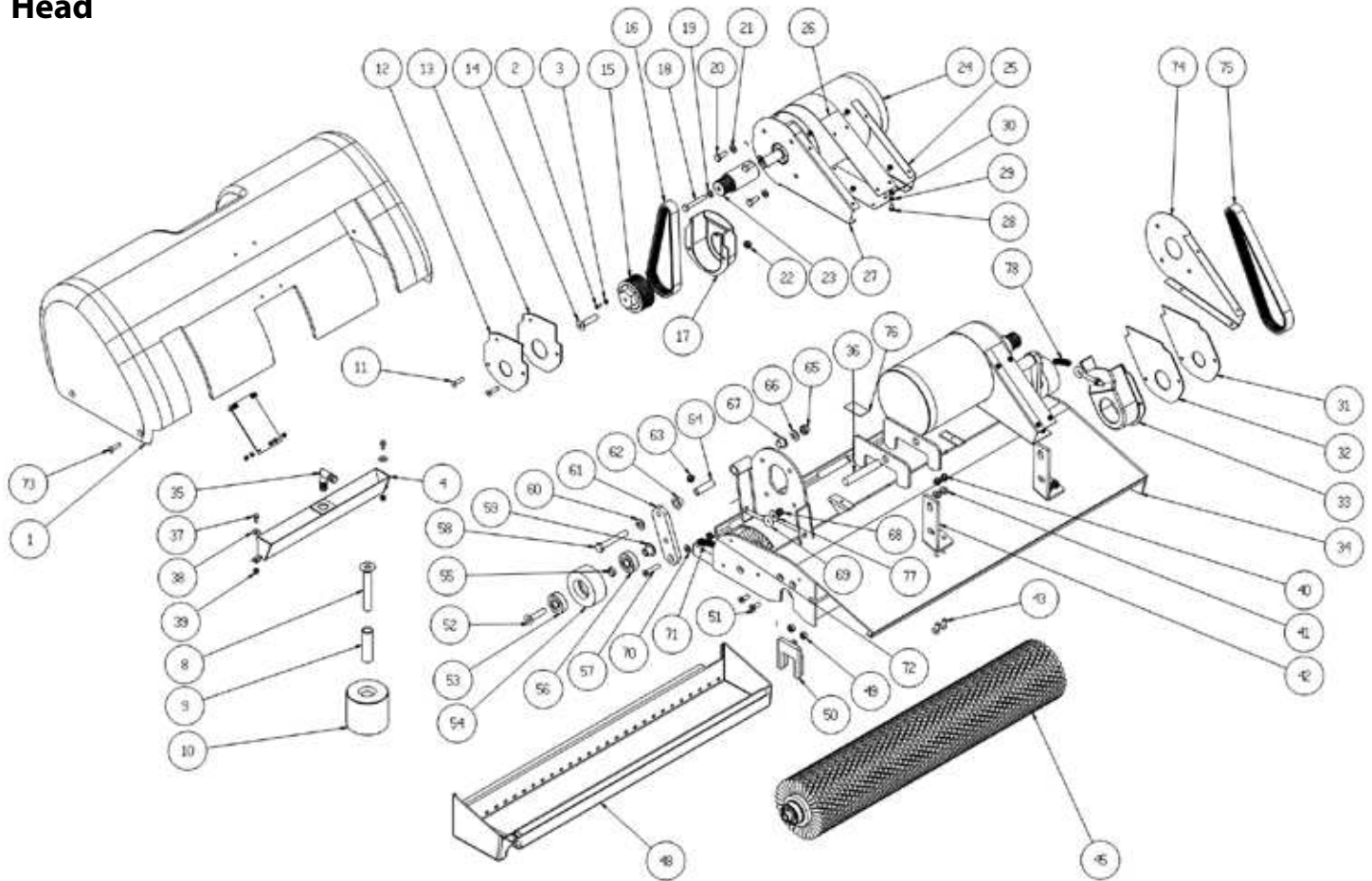
Ref.	Part N.	Description	Quantity	Validity From	Validity To
23	3MTPL00205	PULLEY	2		
24	3MEVR02027	CARBON	2		
24	3MOCC00379	MOTOR	2		
25	3LAFN07820	CONVEYOR	2		
26	3LAFN07819	CONVEYOR	2		
27	3LAFN07817	CONVEYOR	1		
28	3VTVT00813	SCREW M 4X 8 TCB-TC UNI 8112	16		
29	3VTRS00515	WASHER D. 4 INX	16		
30	3VTDD00055	NUT M 4 ATB A2	16		
31	3MPVR05600	CLOSURE	1		
32	3MPVR05757	GASKET	1		
33	3MPVR05599	PROTECTION	1		
34	3LAFN06764	HEAD 55	1		
35	3RCVR45752	HOSE FITTING "L" 3/8M D.10 PLS.	1		
36	3LAFN07633	PIN	1		
37	3VTVT00817	SCREW TE M4x12 UNI 5739 INOX	2		
38	3VTRS00515	WASHER D. 4 INX	2		
39	3VTDD15925	NUT M 4 INX	2		
40	3VTDD01694	NUT M6 INOX	4		

# Head



Ref.	Part N.	Description	Quantity	Validity From	Validity To
41	3VTRS00245	WASHER D.6 UNI 6592 INOX	4		
42	3LAFN07634	BRACKET	2		
43	3VTVT00832	SCREW TSPEI M6X16 INOX	4		
45	3SPPV01163	BRUSH	2		
48	3MPVR05603	DRAWER	1		
49	3VTDD15518	NUT M 6 INX	4		
50	3MPVR31929	SUPPORT E 350 N	2		
51	3VTVT00750	SCREW TSPE M. 6-16	4		
52	3VTVT00816	CARRYNG BAG	2		
53	3CUVR00004	BEARING 6201 2RS -MARCA-	2		
54	3MTPL00206	PULLEY	2		
55	3LAFN07804	SPACER	2		
56	3CUVR00004	BEARING 6201 2RS -MARCA-	2		
57	3VTVT30246	SCREW TSPEI M 6X 30 UNI 5933	2		
58	3VTVT00728	SCREW TE M. 8-55	2		
59	3LAFN51068	BUSHING LEVA POSTER.	2		
60	3VTRS13947	WASHER D. 8 INX UNI 6592	1		
61	3LAFN07769	BRACKET	2		
62	3CUVR43254	BUSHING CB 85 1010 18T	2		

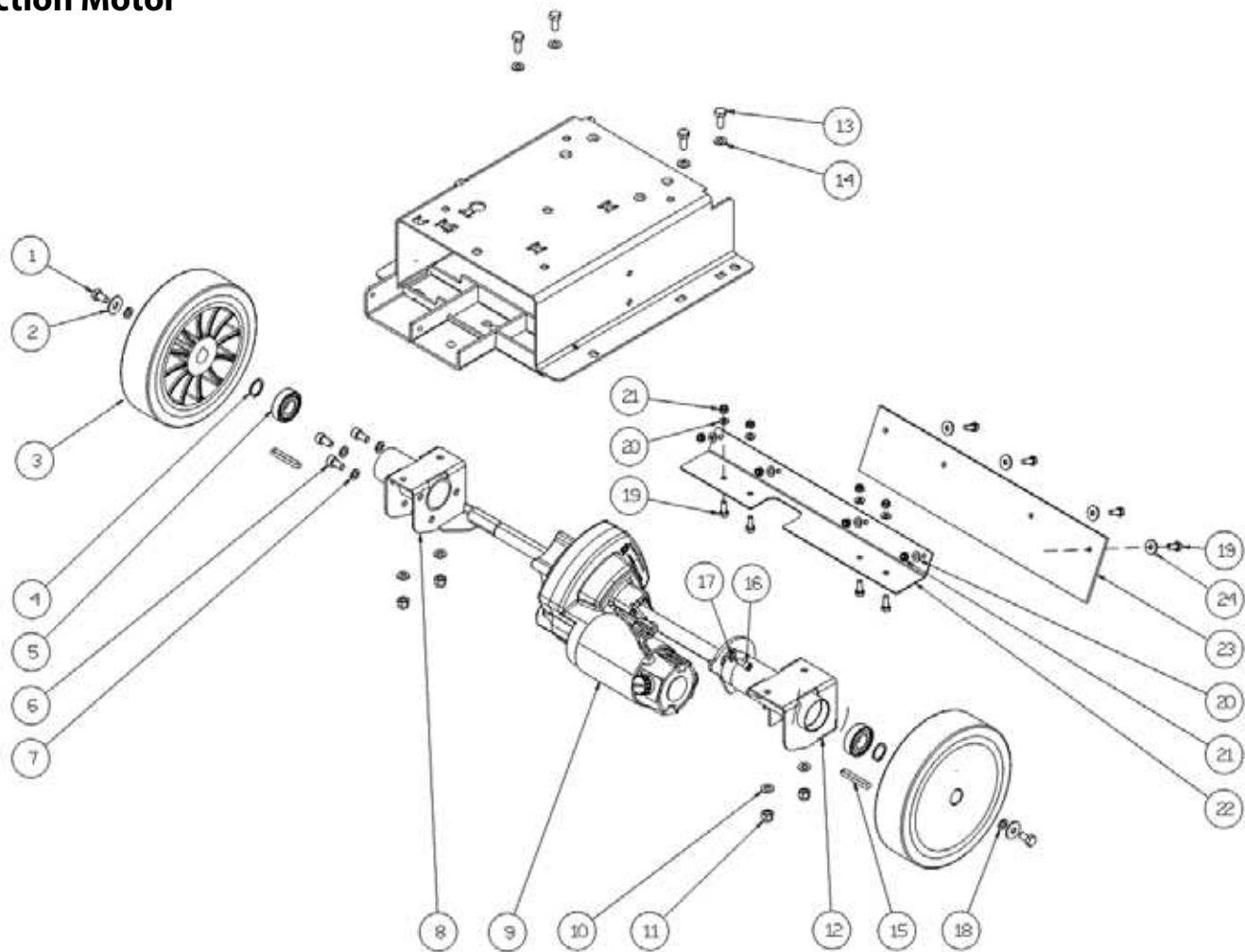
## Head



Ref.	Part N.	Description	Quantity	Validity From	Validity To
63	3VTDD01694	NUT M6 INOX	2		
64	3LAFN07799	SPACER 10-8 L 39,9	2		
65	3VTDD01695	NUT M 8 INX	2		
66	3VTRS13947	WASHER D. 8 INX UNI 6592	2		
67	3CUVR43254	BUSHING CB 85 1010 18T	2		
68	3VTDD01694	NUT M6 INOX 2	2		
69	3LAFN05186	TIE ROD	2		
70	3VTDD15518	NUT M 6 INX	2		
71	3MLML75961	SPRING D. 16 L.80	1		
72	3VTDD01694	NUT M6 INOX	2		
73	3VTVT00855	SCREW TSP+ M4X15	4		
74	3LAFN07815	CONVEYOR	1		
75	3MTCG00129	BELT POLI	1		
76	3GUVR01008	GASKET	2		
77	3VTRS13945	WASHER D. 6X18 INX UNI 6593	2		
78	3MLML00065	SPRING L0=80 De=12 Df=1.7	1		



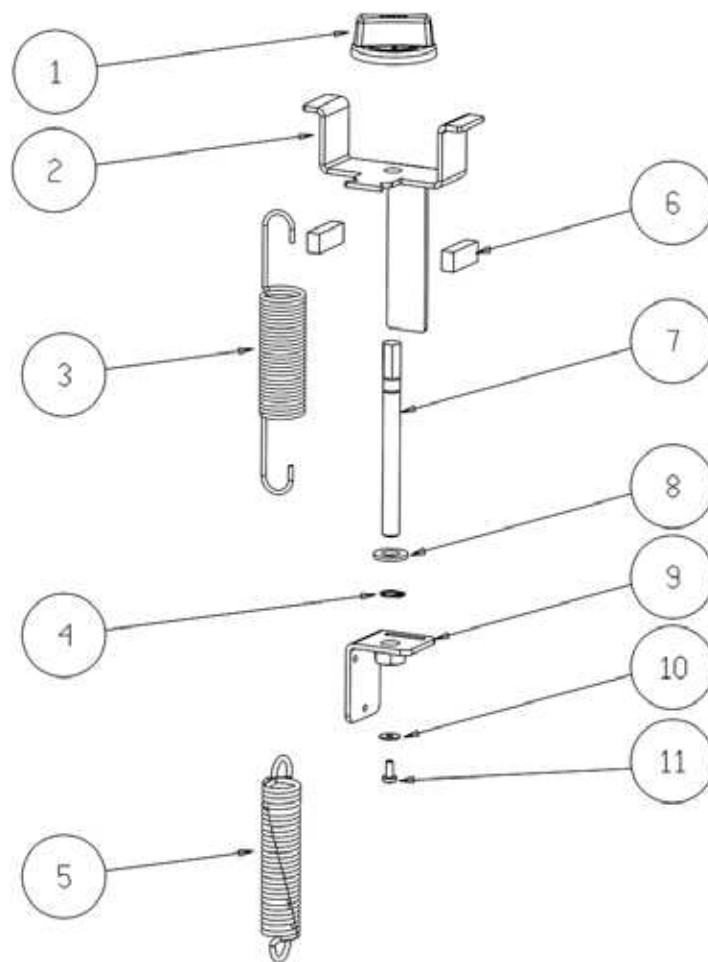
## Traction Motor



Ref.	Part N.	Description	Quantity	Validity From	Validity To
17	3VTRS15144	WASHER D. 6 INX GRW UNI 1751	2		
18	3VTRS15144	WASHER D. 6 INX GRW UNI 1751	2		
19	3VTVT15143	SCREW TE 6X16 UNI5739	8		
20	3VTRS00245	WASHER D.6 UNI 6592 INOX	8		
21	3VTDD01694	NUT M6 INOX	8		
22	3LAFN07951	BRACKET	1		
23	3MPVR06966	FLAP	1	03/2014	
24	3VTRS13945	WASHER D. 6X18 INX UNI 6593	4		

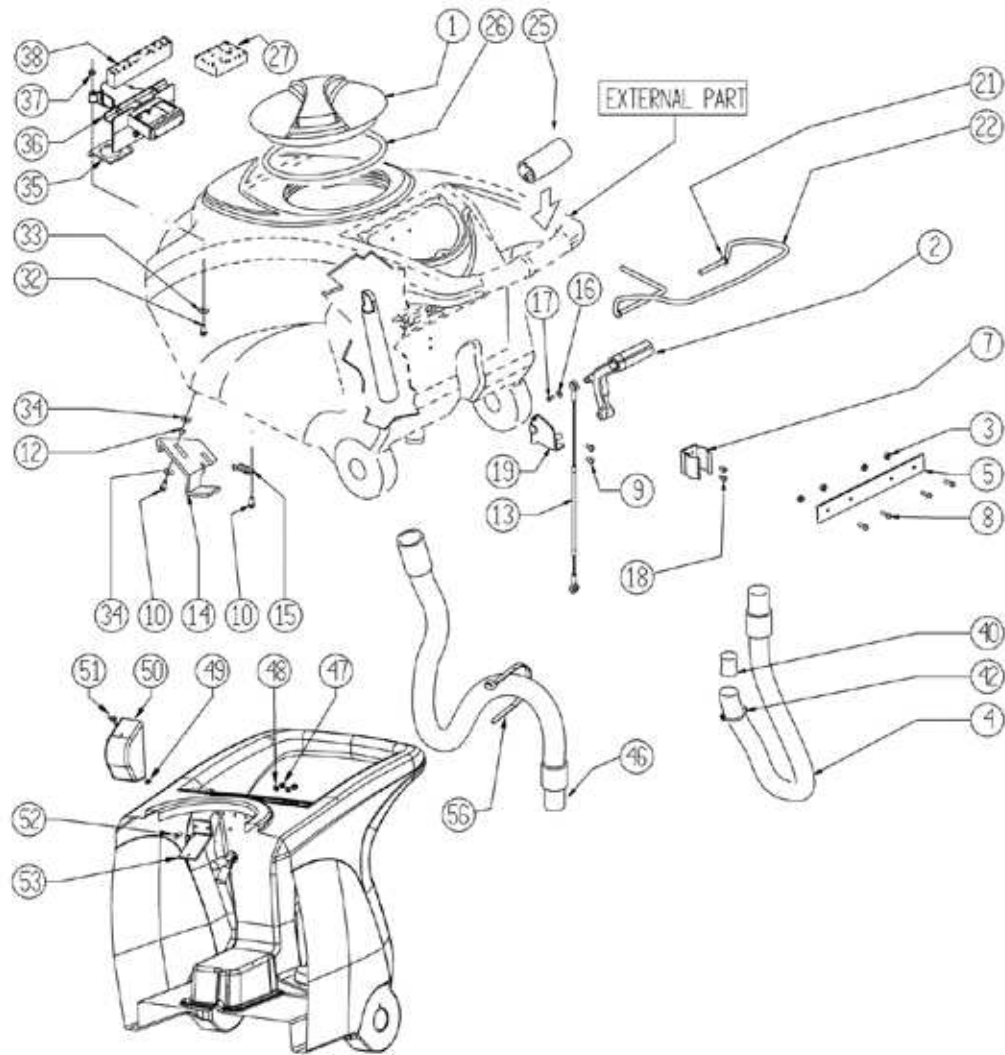


## Regulation Brushes



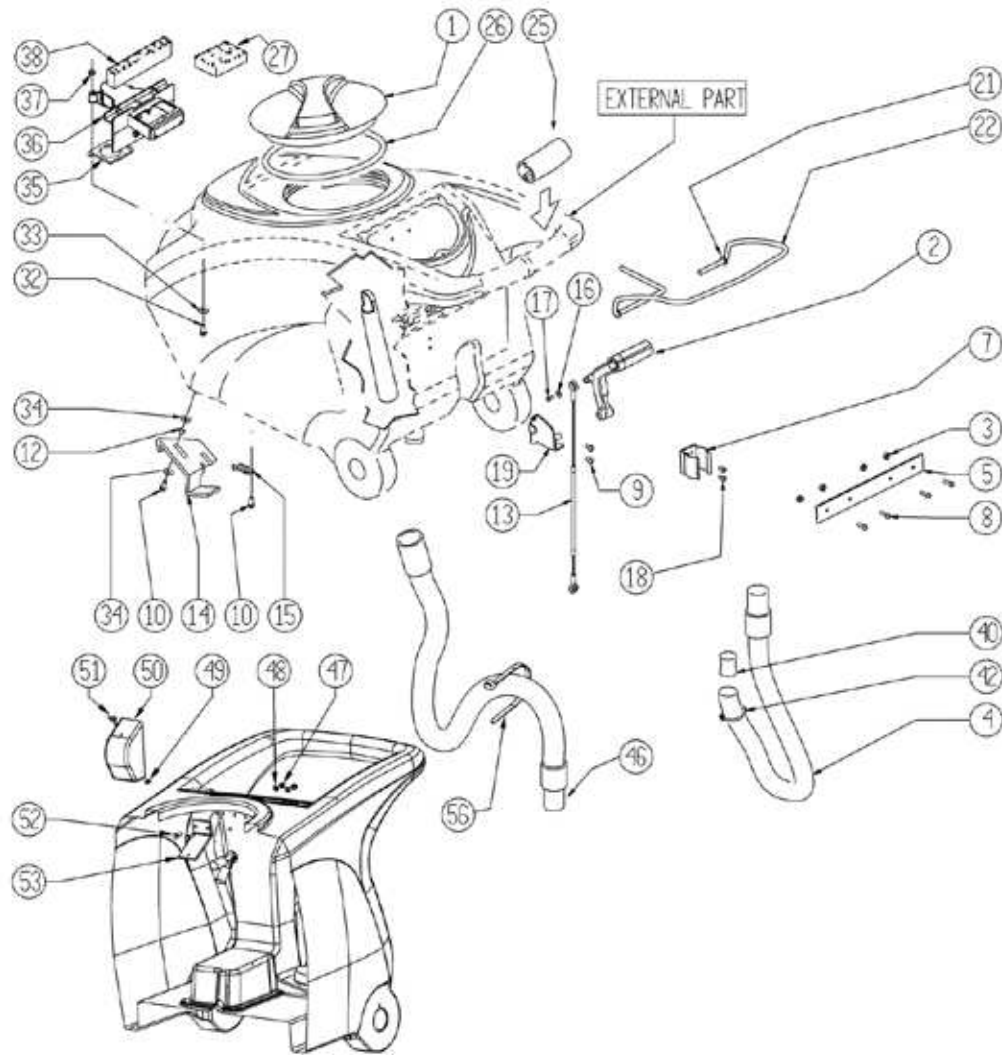
Ref.	Part N.	Description	Quantity	Validity From	Validity To
1	3MPVR75768	KNOB	1		
2	3LAFN07458	SUPPORT	1		
3	3MLML00234	SPRING TESTATA LINEA 3	1		
4	3VTAE13511	CIRCLIP D. 10 UNI 7435	1		
5	3MLML00225	SPRING	1		
6	3GUGO00315	MOUSSE	2		
7	3LAFN07457	SUPPORT	1		
8	3VTRS15523	WASHER D.10 X21 INOX UNI 6592	1		
9	3LAFN07459	SUPPORT	1		
10	3VTRS00251	WASHER 4-16 INOX A2	1		
11	3VTVT21887	SCREW TCB-TC 4X10 8112	1		

# Tank



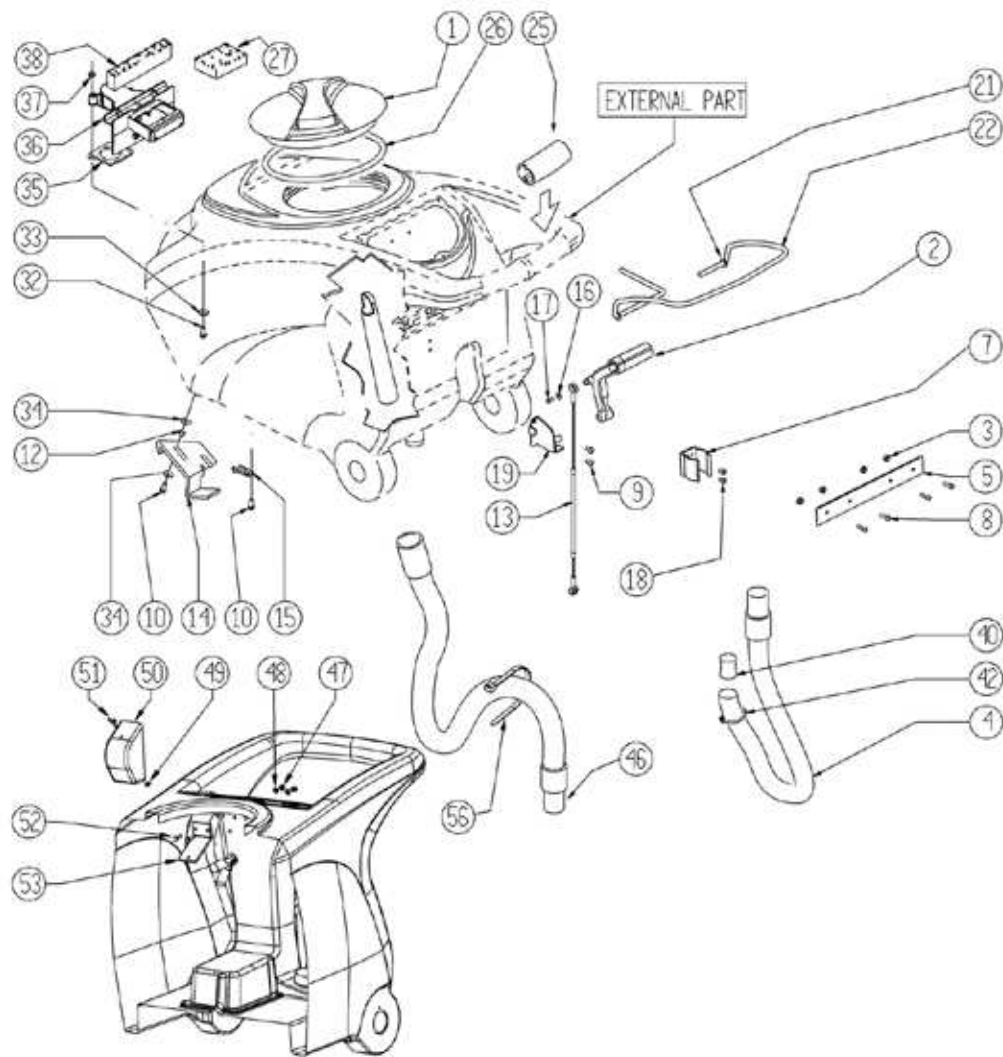
Ref.	Part N.	Description	Quantity	Validity From	Validity To
1	3MPVR04051	TANK CAP	1		
2	3MPVR49942	LEVER SHK PP	1		
3	3VTDD15518	NUT M 6 INX	4		
4	3TBFX00358	TUBE PU	1		
5	3LAFN05865	PLATE	1		
7	3MPVR46988	CLIP LAV. SHK	1		
8	3VTVT00651	SCREW TBEI M. 5x16 INOX	4		
9	3VTVT15906	SCREW TE 6X 12 A2 UNI 5739	2		
10	3VTVT15143	SCREW TE 6X16 UNI5739	3		
12	3LAFN03626	SPACER	2		
13	3CMCV00464	CABLE LIFTING BLADE	1		
14	3LAFN06849	HANDLE	1		
15	3MLML00203	SPRING	1		
16	3VTRS00251	WASHER 4-16 INOX A2	1		
17	3VTVT00800	SCREW TC 4X12 ZN	1		
18	3VTVT21096	SCREW TE M 4X 10 INX	2		

## Tank



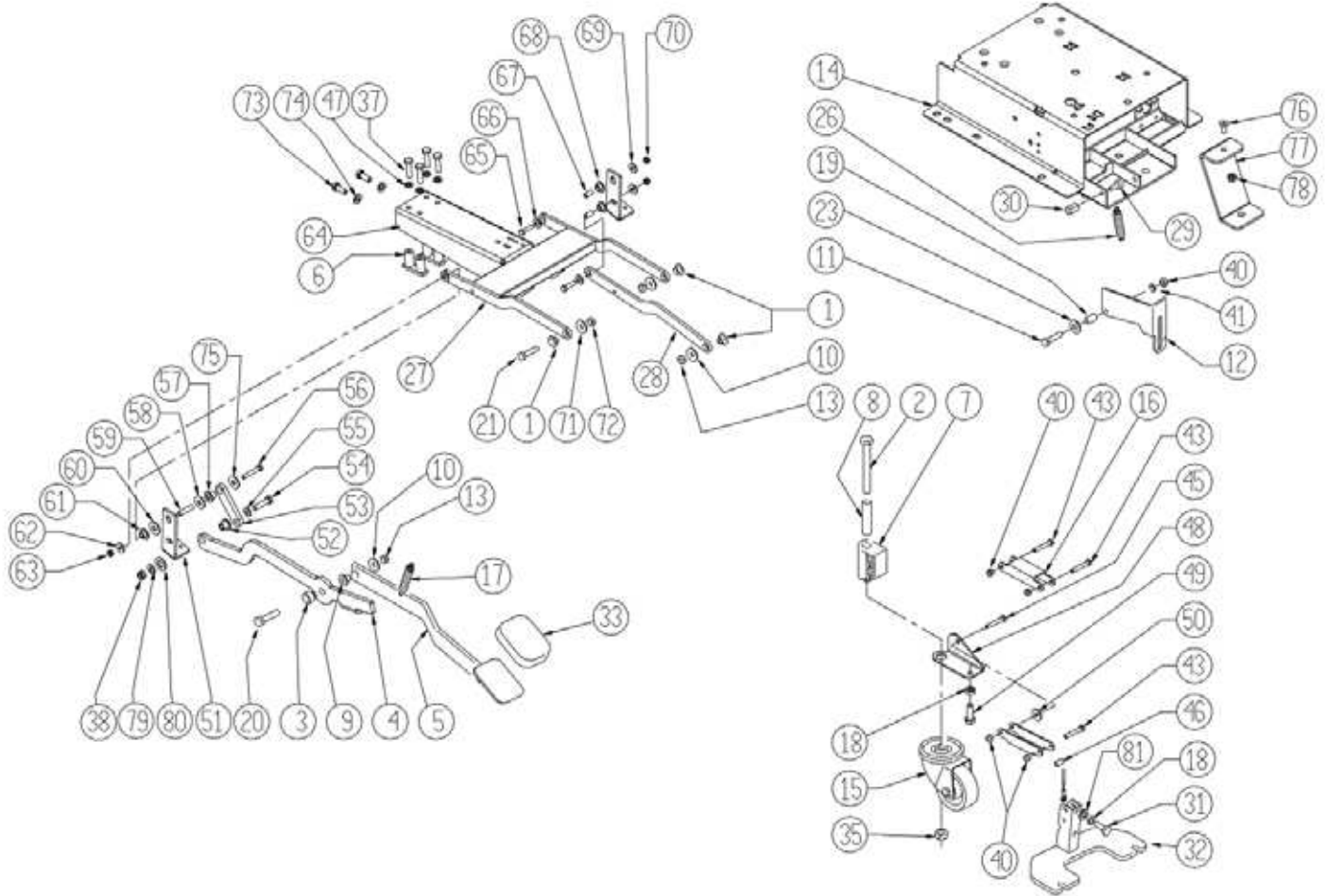
Ref.	Part N.	Description	Quantity	Validity From	Validity To
19	3LAFN05870	BRACKET LEVER RAISE SQUEEGEE	1		
21	3VTRS13947	WASHER D. 8 INX UNI 6592	2		
22	3LAFN05861	BRUSH LEVER	1		
25	3MPVR05215	KNOB	2		
26	3GUGO00263	GASKET CIRCULAR PLUG	1		
27	3FTDP00133	FILTER	1		
32	3VTVT01139	SCREW TE M.4-25	2		
33	3VTRS00515	WASHER D. 4 INX	2		
34	3VTRS00274	WASHER NYLON 66 D.8,4-17-2 UNI	4		
35	3GUGO00417	GASKET BOX INTAKE	1		
36	3MPVR05482	BOX	1		
37	3VTDD15925	NUT M 4 INX	2		
38	3GUGO00418	GASKET DUCT INTAKE	1		
40	3GUGO00245	GASKET	1		
42	3FSVR43136	CLAMP D. 35-40 DF.	1		
46	3TBFX00353	TUBE PU	1		

# Tank



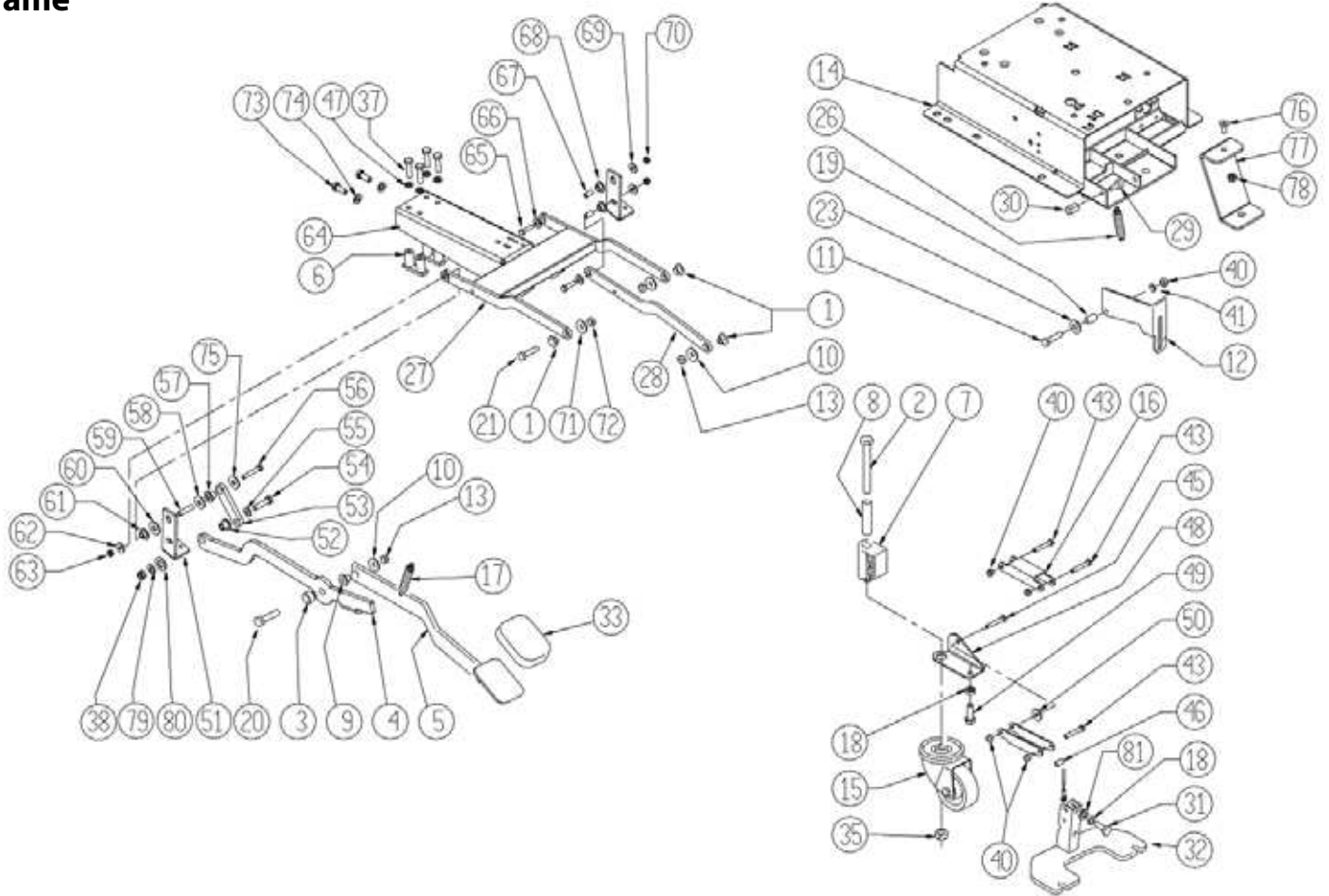
Ref.	Part N.	Description	Quantity	Validity From	Validity To
47	3VTDD01693	NUT M 5 INX	2		
48	3VTRS00516	WASHER D. 5 INX	2		
49	3VTVR01038	WASHER	1		
50	3MPVR05596	PROTECTION	1		
51	3VTVT01150	SCREW 4x10	1		
52	3VTVT07725	SCREW TE 5X16 UNI5739 INX	2		
53	3LAFN07631	BRACKET	1		
56	3FSVR00248	CLAMP	1		

## Frame



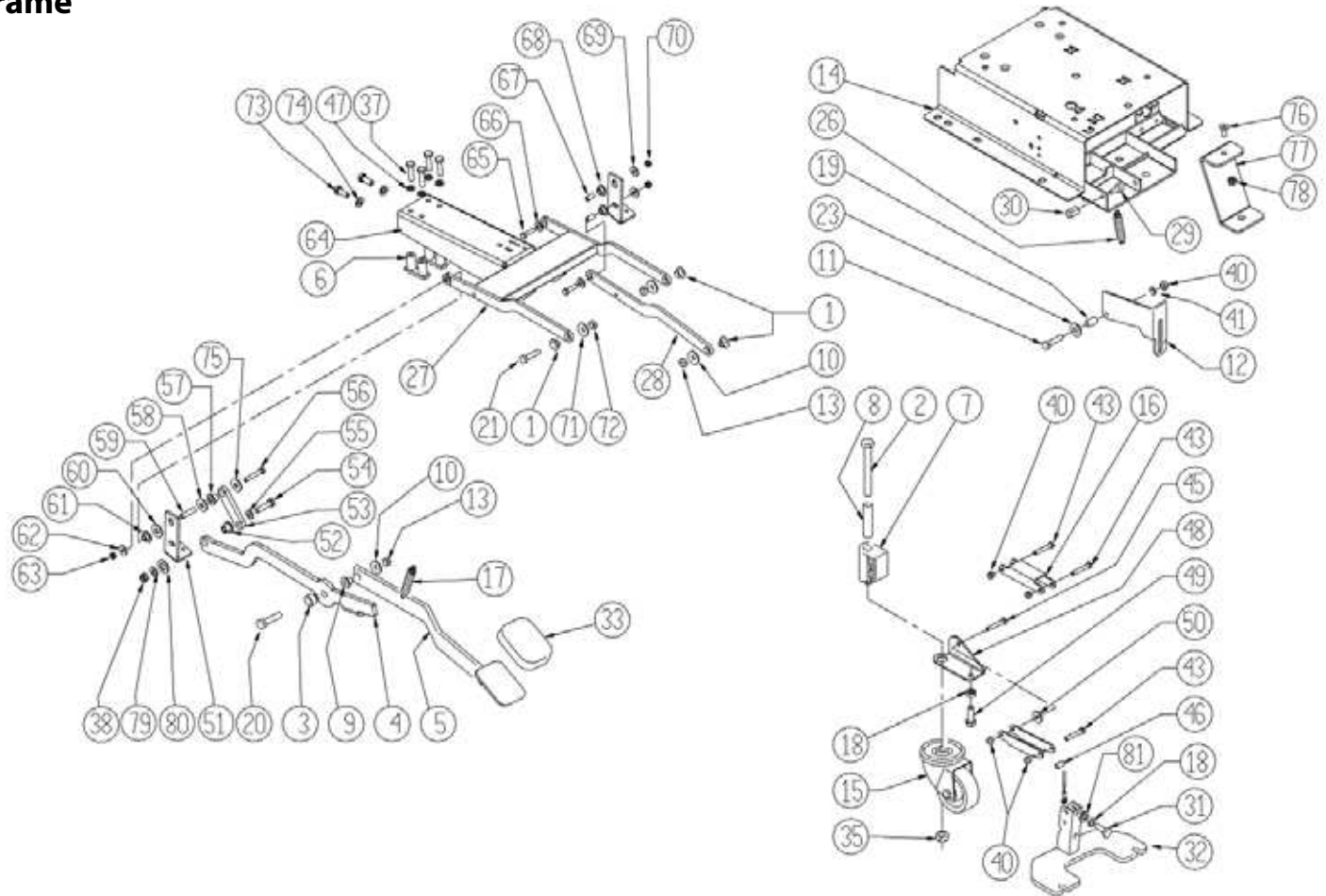
Ref.	Part N.	Description	Quantity	Validity From	Validity To
1	3LAFN06391	BUSHING PARALLELOGRAM	6		
2	3VTVT24212	SCREW TE M12X110 UNI 5737 INOX	1		
3	3LAFN04190	BUSHING PARALLELOGR.TEST.GR.	1		
4	3LAFN07593	BRACKET LIFTING BRUSH HEAD	1		
5	3LAFN09270	PEDALE	1		
6	3LAFN07603	BRACKET	2		
7	3MPVR04734	SUPPORT SQUEEGEE	1		
8	3LAFN09006	PIN	1		
9	3LAFN51068	BUSHING LEVER	1		
10	3VTRS13946	WASHER D. 8 X24 INX UNI 6593	2		
11	3VTVT00161	SCREW TE M6X20	1		
12	3LAFN10124	PLATE	1		
13	3VTDD01695	NUT M 8 INX	3		
14	3LAFN07606	BASE	1		
15	3RTRT00395	WHEEL CASTOR D.80X25 PU	1		
16	3LAFN05853	NUT M 8 INX A2 UNI 5588	1		
17	3MLML34726	SPRING TR E350 N	1		

## Frame



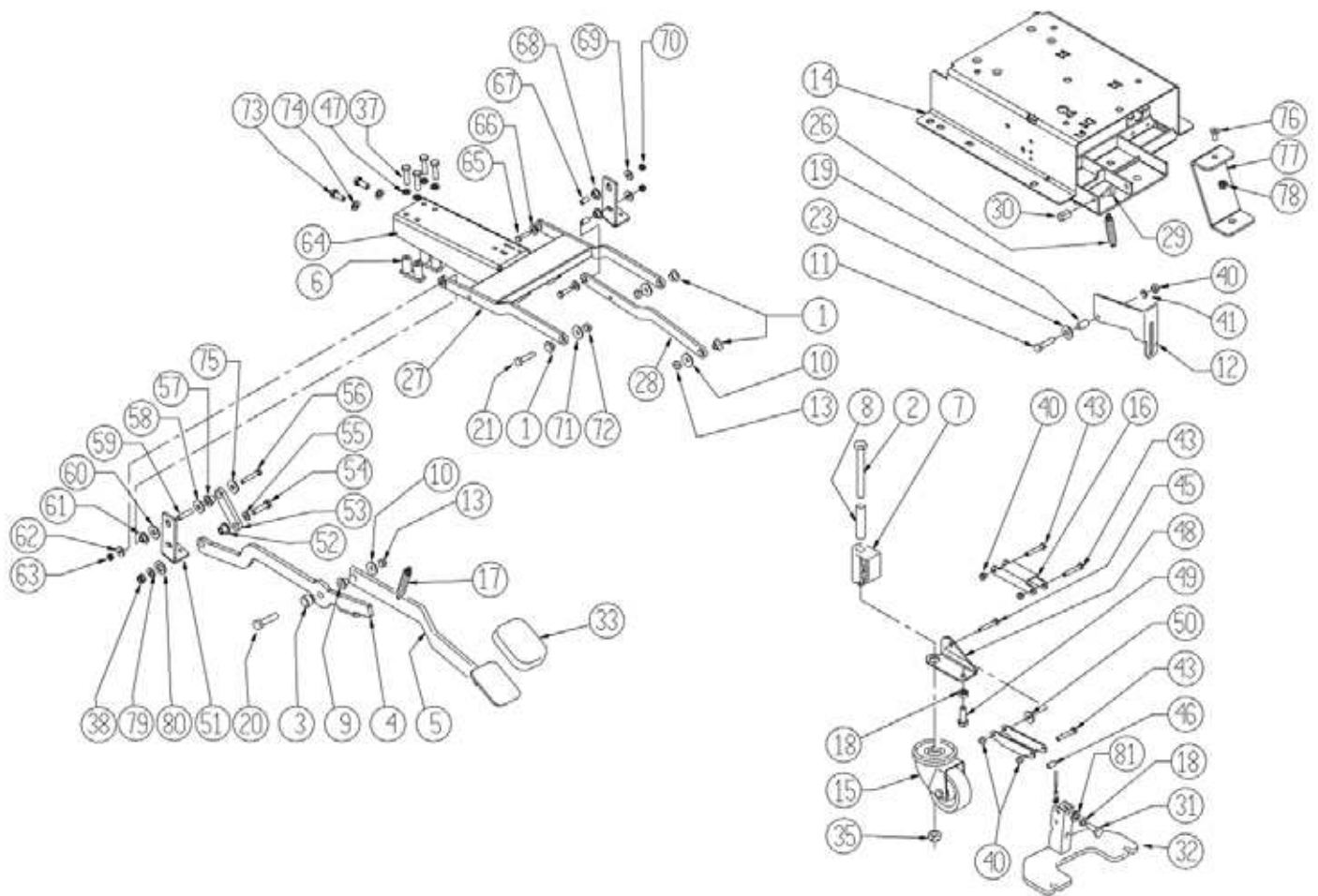
Ref.	Part N.	Description	Quantity	Validity From	Validity To
18	3VTDD15521	WASHER D.6 UNI 6592 INOX	1		
19	3LAFN03840	BUSHING	1		
20	3VTVT15917	SCREW TE M 8X50 INOX A2 UNI	1		
21	3VTVT15907	SCREW TE 8X25 UNI5739 INX	3		
23	3VTRS00274	WASHER NYLON 66 D.8,4-17-2 UNI	1		
26	3MLML00303	SPRING RECORDING FLAP	1		
27	3LAFN07563	ARM	1		
28	3LAFN06389	ARM PARALLELOGRAMMA	1		
29	3MPVR75799	FOOT 20x9 M 6x18	1		
30	3VTVR00215	CARRYNG BAG	1		
31	3VTVT00410	SCREW TE M8X35 UNI5739 INOX	1		
32	3LAFN07560	PLATE	1		
33	3MPVR05186	COVER	1		
35	3VTDD00176	NUT M.12 INOX A2 BASSO AUTOB.	1		
37	3VTVT15907	SCREW TE 8X25 UNI5739 INX	4		
38	3VTDD01695	NUT M 8 INX	1		
40	3VTDD01694	NUT M6 INOX	5		
41	3VTRS00245	WASHER D.6 UNI 6592 INOX	1		

## Frame



Ref.	Part N.	Description	Quantity	Validity From	Validity To
43	3VTVT01683	SCREW TE 6X40	1		
45	3VTVT01684	SCREW TE 6X45	1		
46	3LAFN06898	SPACER 6-8 H15	1		
47	3VTRS15146	WASHER D. 8 INX GRW UNI 1751	4		
48	3LAFN08999	BRACKET	1		
49	3VTVT13938	SCREW TE 8X20 UNI5739 INX	1		
50	3VTRS13945	WASHER D. 6X18 INX UNI 6593	1		
51	3LAFN07634	BRACKET	2		
52	3LAFN51068	BUSHING LEVA POSTER.	1		
53	3LAFN07638	LEVER	1		
54	3VTVT00410	SCREW TE M8x35 UNI5739 INOX	1		
55	3VTRS13947	WASHER D. 8 INX UNI 6592	1		
56	3VTVT15145	SCREW TE 6X40 UNI5739 INX	1		
57	3LAFN51068	BUSHING LEVA POSTER.	1		
58	3VTRS13946	WASHER D. 8 X24 INX UNI 6593	1		
59	3LAFN06735	SPACER 6-8 H31.5	1		
60	3VTRS13946	WASHER D. 8 X24 INX UNI 6593	1		
61	3LAFN06391	BUSHING PARALLELOGRAM	1		

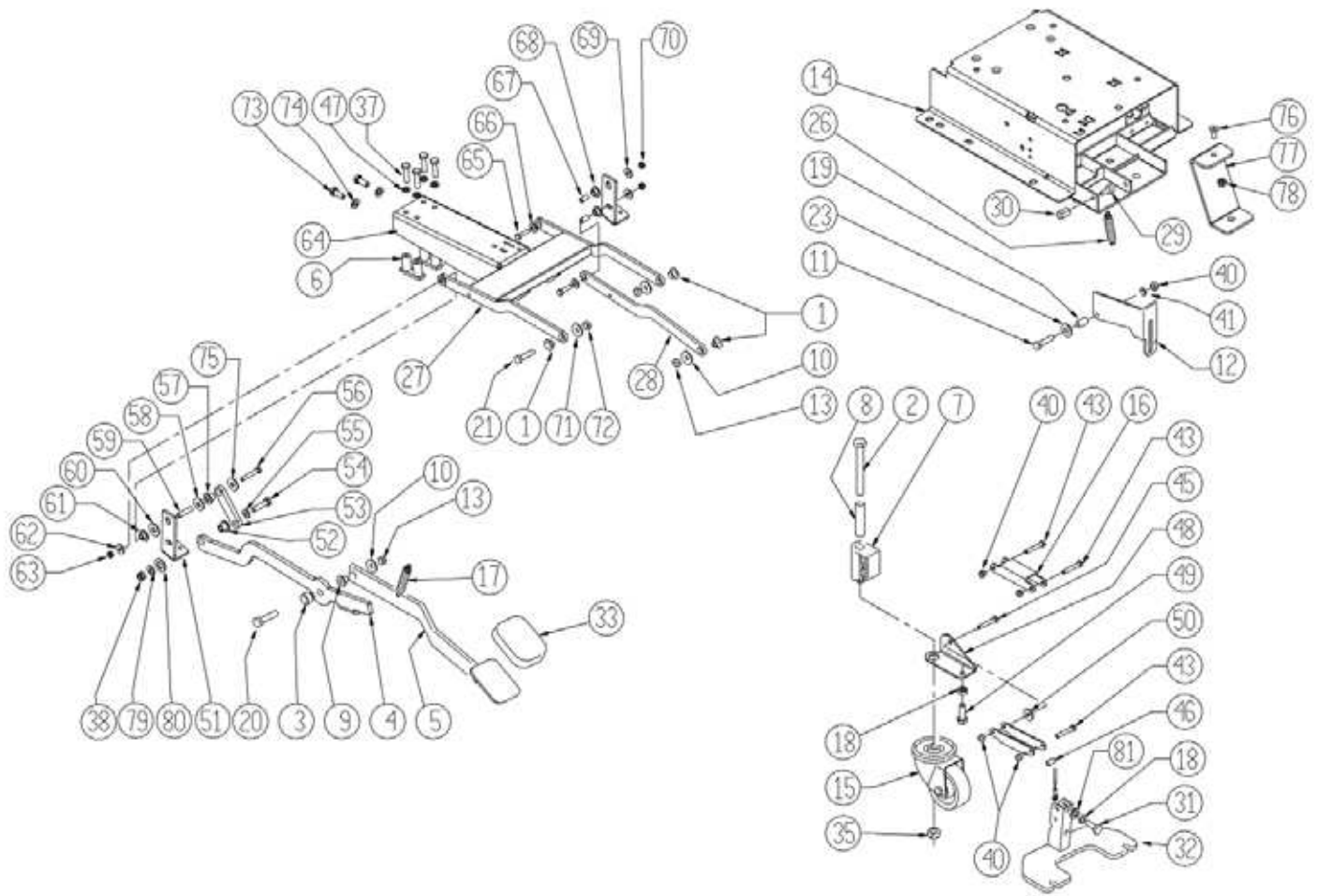
## Frame



Ref.	Part N.	Description	Quantity	Validity From	Validity To
62	3VTRS13945	WASHER D. 6X18 INX UNI 6593	1		
63	3VTDD01694	NUT M6 INOX	1		
64	3LAFN07635	BRACKET	1		
65	3VTVT15141	SCREW TE M 6X 25 UNI 5739 INX	2		
66	3VTRS13945	WASHER D. 6X18 INX UNI 6593	2		
67	3LAFN06898	SPACER 6-8 h15	2		
68	3LAFN06391	BUSHING PARALLELOGRAM	2		
69	3VTRS13945	WASHER D. 6X18 INX UNI 6593	2		
70	3VTDD01694	NUT M6 INOX	2		
71	3VTRS13946	WASHER D. 8 X24 INX UNI 6593	1		
72	3VTDD01695	NUT M 8 INX	1		
73	3VTVT15143	SCREW TE 6X16 UNI5739	2		
74	3VTRS15144	WASHER D. 6 INX GRW UNI 1751	2		
75	3VTRS13945	WASHER D. 6X18 INX UNI 6593	1		
76	3VTVT00224	SCREW	1		
77	3LAFN06860	BRACKET	1		
78	3VTDD01695	NUT M 8 INX	1		

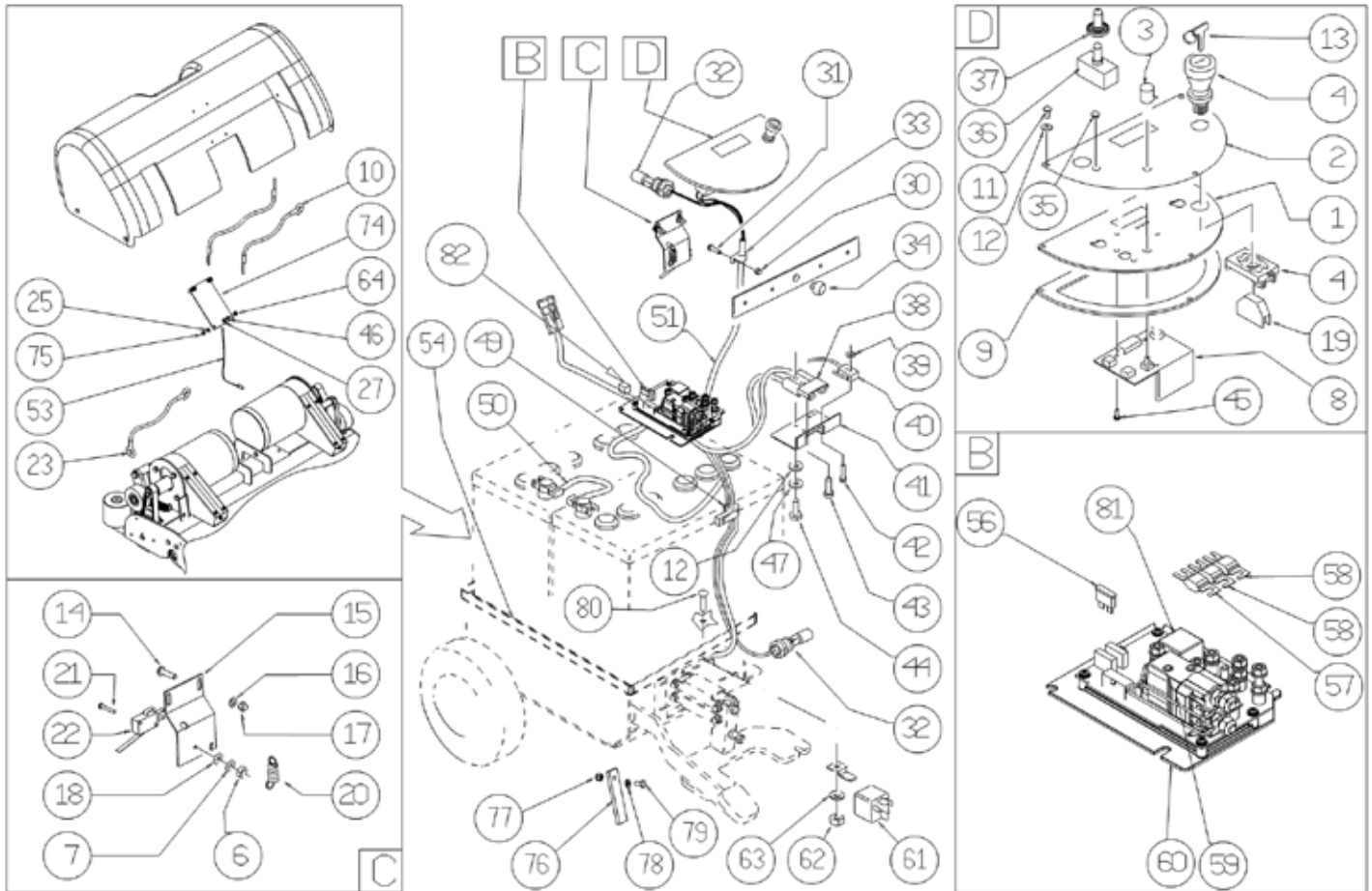


# Frame



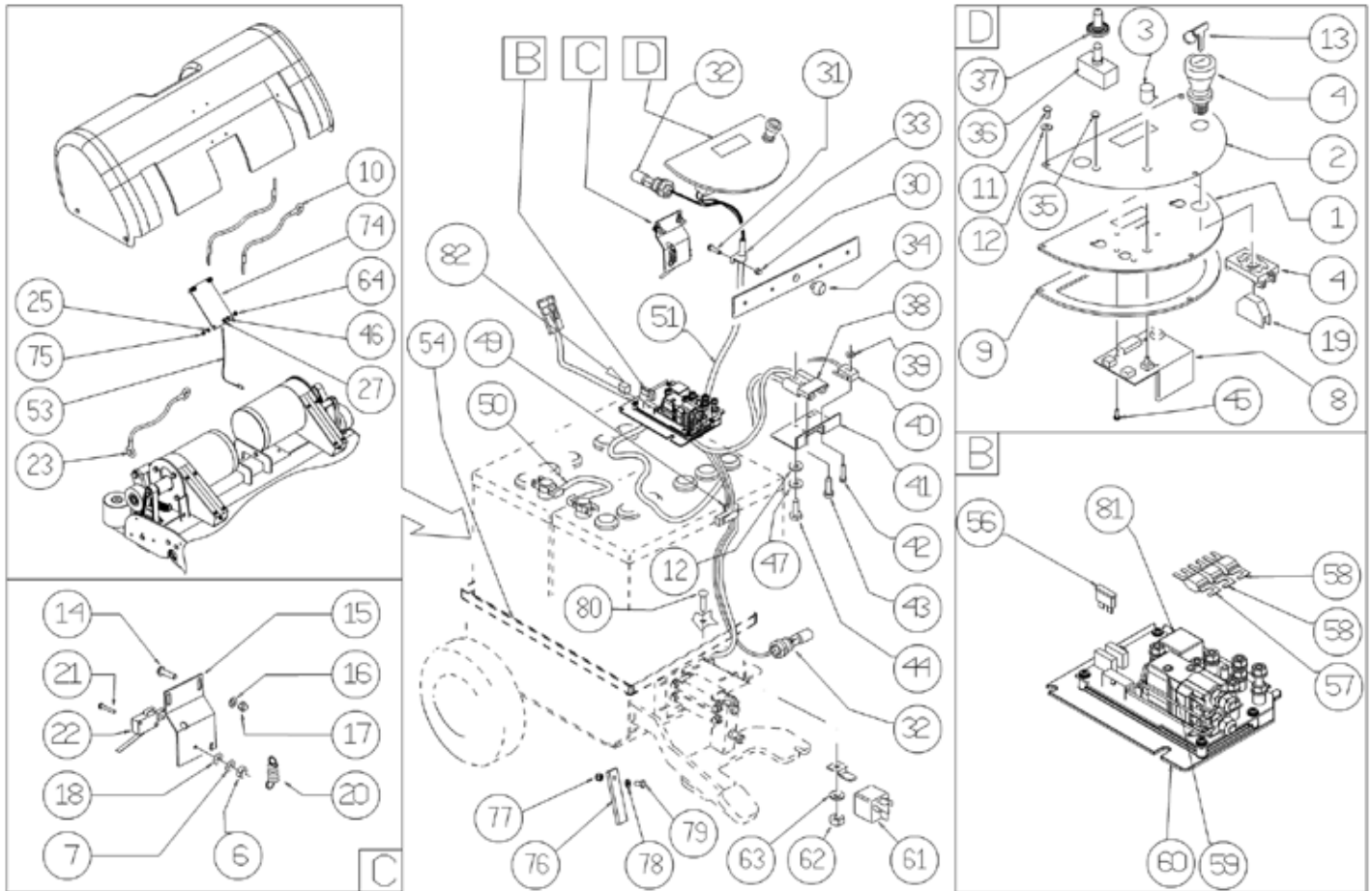
Ref.	Part N.	Description	Quantity	Validity From	Validity To
79	3VTRS13947	WASHER D. 8 INX UNI 6592	1		
80	3VTRS15978	WASHER D.12X24 UNI 6592 INX	1		
81	3VTRS15146	WASHER D. 8 INX GRW UNI 1751	1		

## Electrical Installations



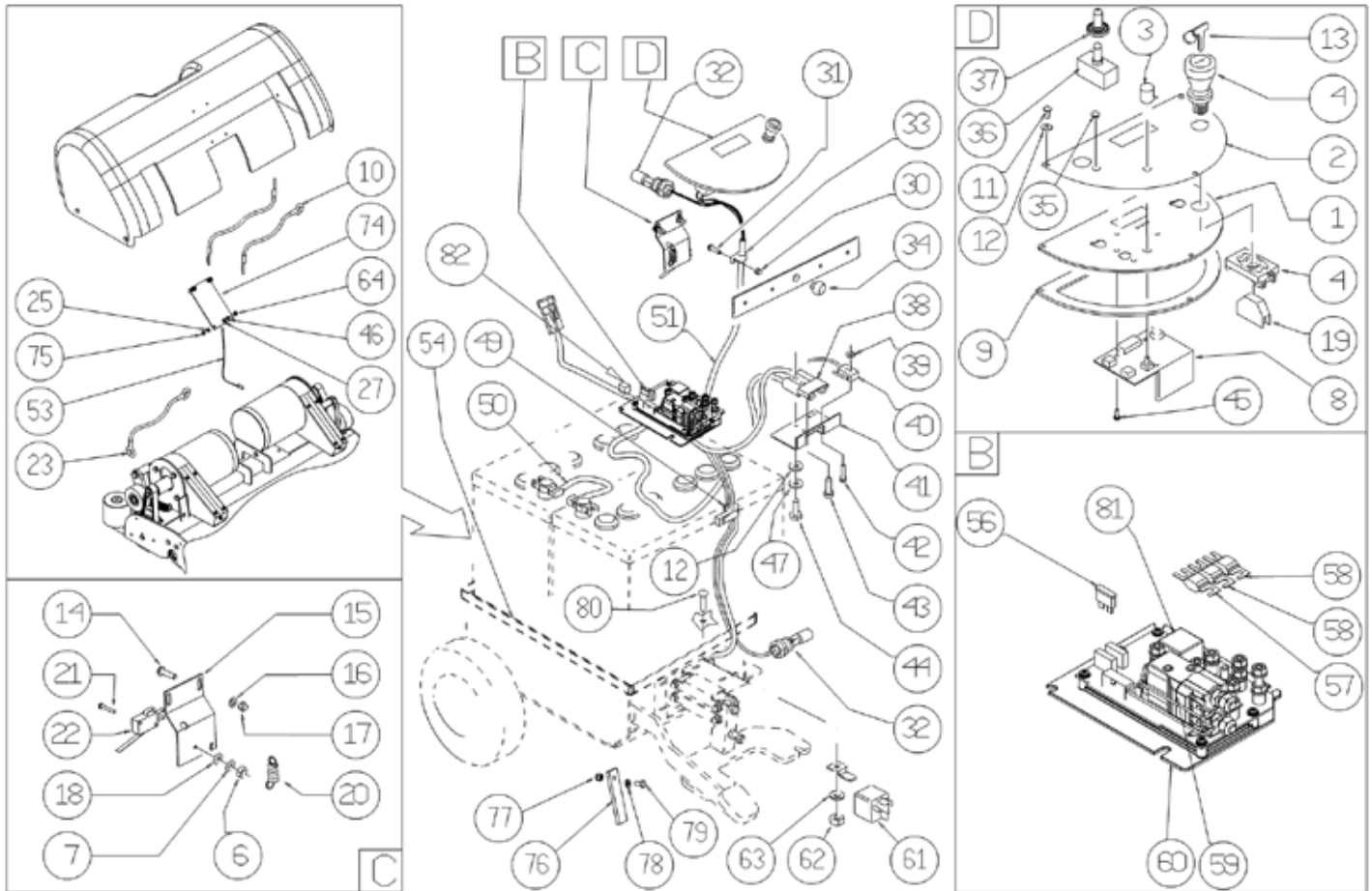
Ref.	Part N.	Description	Quantity	Validity From	Validity To
1	3LAFN08989	SUPPORT	1		
2	3ETET01710	LABEL	1		
3	3MEVR01666	KNOB POTENTIOMETER	1		
4	3MECI00402	BUTTON A FUNGO	1		
6	3VTDD21115	NUT M 3 INOX	1		
7	3VTRS00268	WASHER D.3	5		
8	3MECB01329	BOARD H2O - NEW	1	06/2013	
9	3GUGO38417	GASKET PANN.COM.EXTREME	1		
11	3VTVT37012	SCREW M 4X 10 TCB-TC INX	3		
12	3VTRS00515	WASHER D. 4 INX	9		
13	3CHVR00051	DIASASS.SPANNER BUTTON	1		
14	3VTVT07725	SCREW TE 5X16 UNI5739 INX	2		
15	3LAFN05904	PLATE MICRO LEVER	1		
16	3VTRS00516	WASHER D. 5 INX	2		
17	3VTDD01693	NUT M 5 INX	4		
18	3VTRS21116	WASHER D. 3 INX	2		
19	3MECI00403	CONTACT	1		

## Electrical Installations



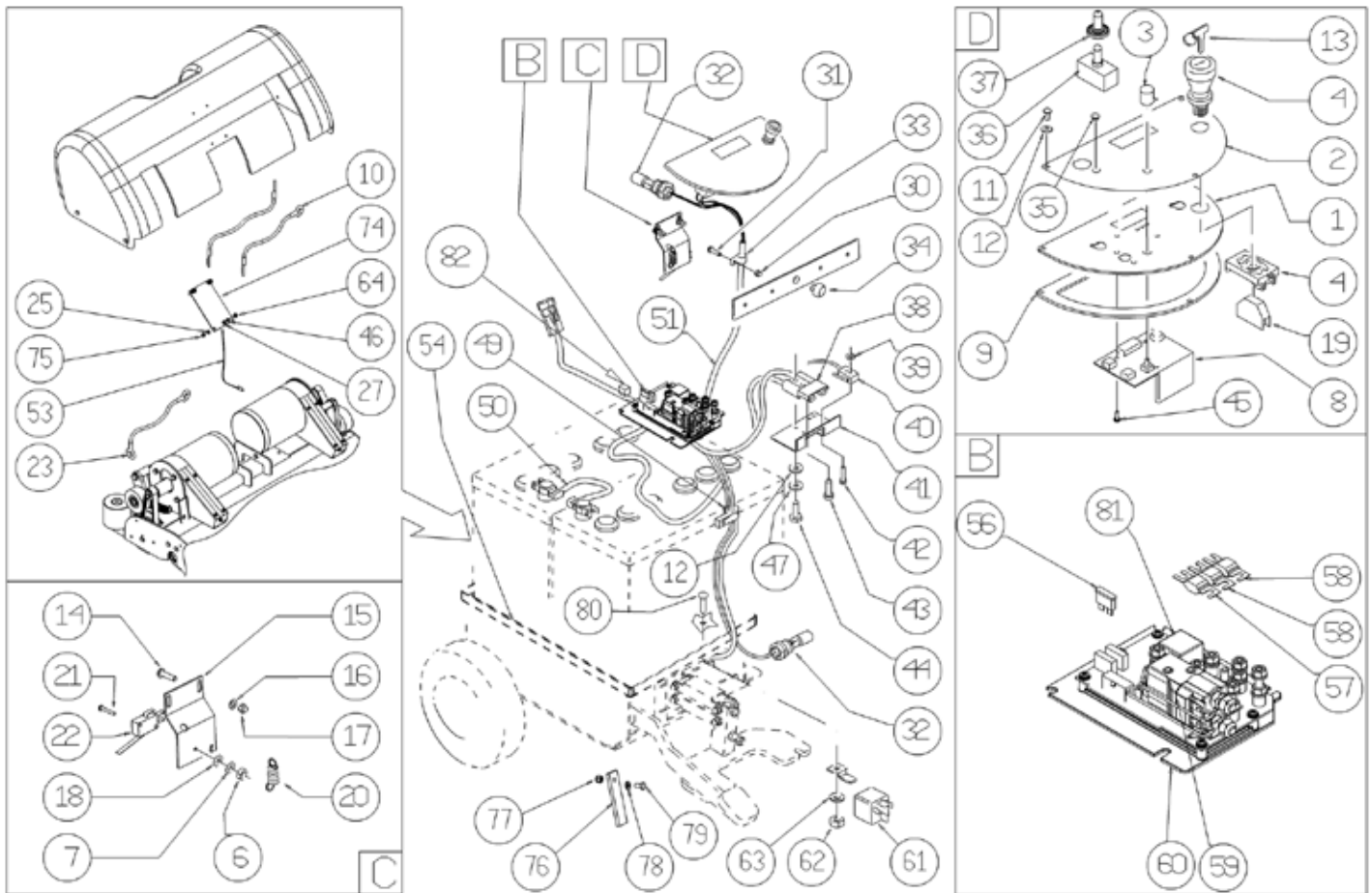
Ref.	Part N.	Description	Quantity	Validity From	Validity To
20	3MLML00203	SPRING TR E350 N	1	07/2014	
21	3VTVT01316	SCREW TC+ M3-16	2		
22	3MECI36393	MICROSWITCH TRZ. DRW	1		
25	3VTRS21116	WASHER D. 3 INX	4		
27	3VTDD21115	NUT M 3 INOX	4		
30	3VTDD15925	NUT M 4 INX	1		
31	3VTVT00704	SCREW TE M 4X 16 UNI5739 INOX	1		
32	3MECI00516	SENSOR LEVEL HORIZONTAL	2		
33	3FSVR00099	CLAMP PIPE CLIPS	1		
34	3MPVR00043	CAP CHIUS.FORO PORTAFUS.L 15	1		
35	3RCVR00164	CARRYNG BAG	1		
36	3MECI30499	SWITCH 10A - 250VAC	1		
37	3MEVR01975	RUBBER SWITCH	1		
38	3MEVR01707	CONNECTOR	1		
39	3VTDD08634	NUT M2 2			
40	3MECI00334	MICROSWITCH V4 1			
41	3LAFN06409	SUPPORT	1		

## Electrical Installations



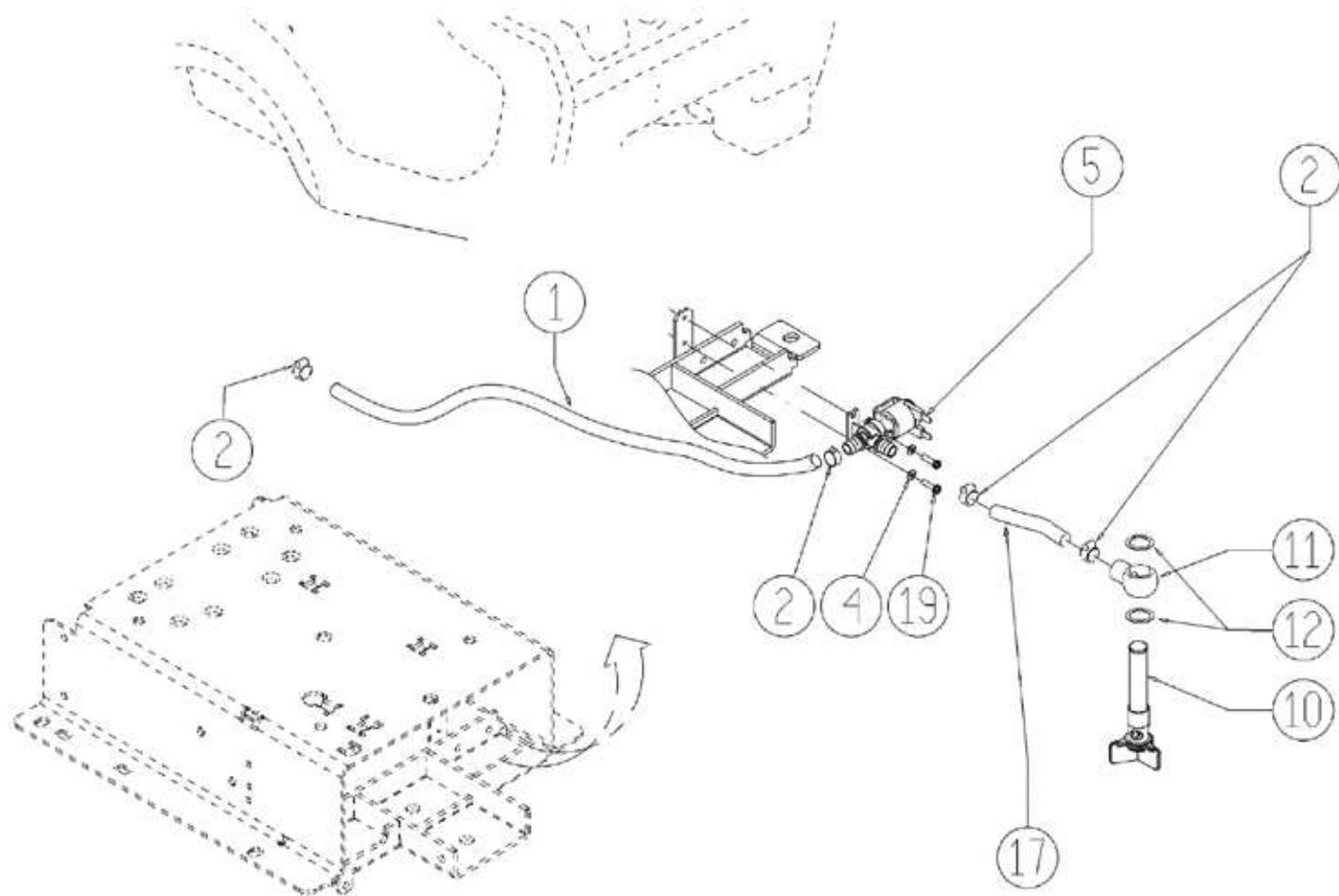
Ref.	Part N.	Description	Quantity	Validity From	Validity To
42	3VTVT00671	SCREW TC- M.2-16 OTTONE	2		
43	3VTVT00872	SCREW TSP+ 2.9X13 AUTOFIL. INOX	1		
44	3VTVT00814	SCREW TE M.4-25	2		
45	3VTVT00722	SCREW	3		
46	3VTRS21116	WASHER D. 3 INX	4		
47	3VTRS15913	WASHER D. 4 GROVER A2 UNI1751	2		
49	3FSVR00099	CLAMP FERMATUBO	1		
50	3MEVR34820	WIRING B 450 BT	1		
51	3MECB01302	WIRING			
51	3MECB01334	WIRING	1		
53	3MECB01127	CABLE	1		
56	3MEVR01428	FUSE A BLADE 2 A. UNIVAL	1		
57	3MEVR02061	FUSE 80A	1		
58	3MEVR02060	FUSE 40A	2		
59	3METT00085	CONTACTOR 100A	1		
60	3MECE00574	BOARD	1		
61	3MECI00005	RELAY 24V 10/20A	1		

## Electrical Installations



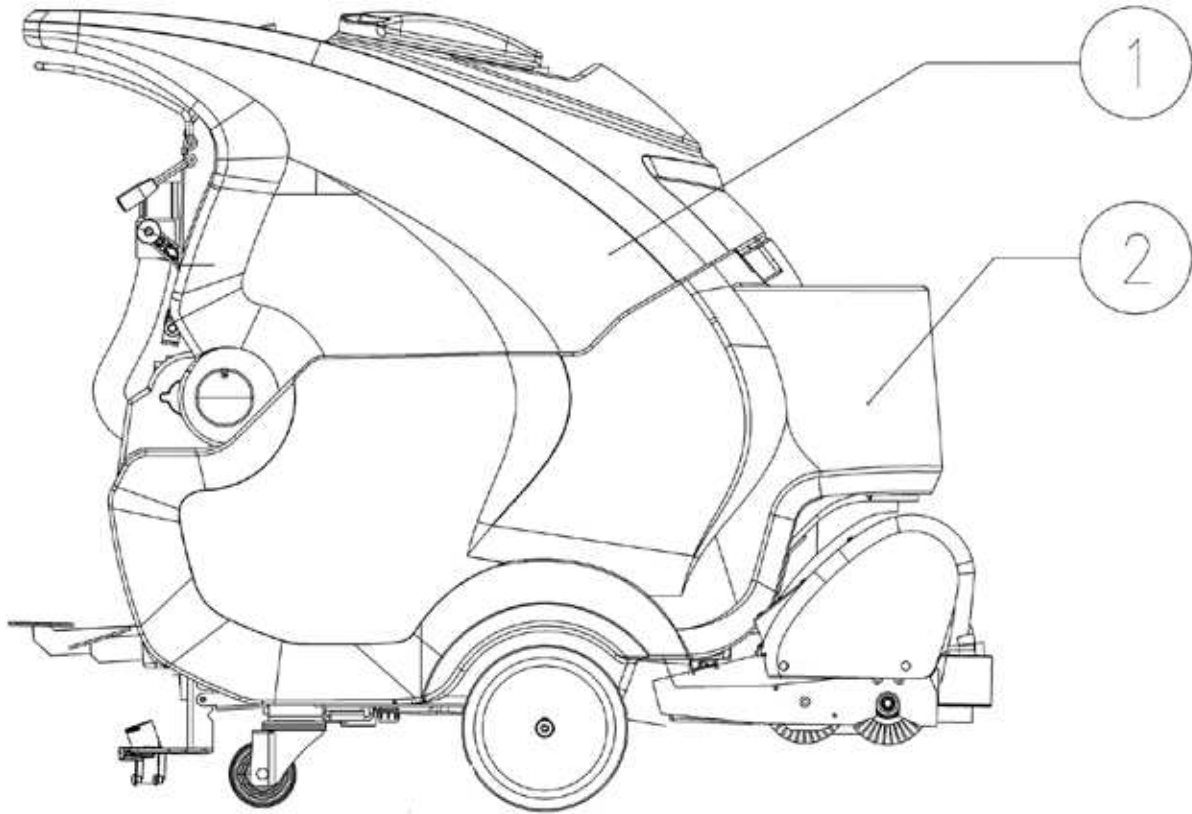
Ref.	Part N.	Description	Quantity	Validity From	Validity To
62	3VTDD01694	NUT M6 INOX	1		
63	3VTRS00245	WASHER D.6 UNI 6592 INOX	1		
64	3VTVT00654	SCREW TC+ M.3-20	4		
74	3MECE00491	BOARD 40ECS CURRENT READER LED	1		
76	3MPVR04693	RUBBER FUGGISCOSSA	1		
77	3VTDD01694	NUT M6 INOX	1		
78	3VTRS00245	WASHER D.6 UNI 6592 INOX	1		
79	3VTVT15143	SCREW TE 6X16 UNI5739	1		
80	3VTVT01676	SCREW TSTC UNI 7688 M6X16	1		
81	3MECE00139	RELAY POWER 24V	1		
82	3GUGO00460	MOUSSE 20X15X18	1	05/2015	

## Solenoid Valve



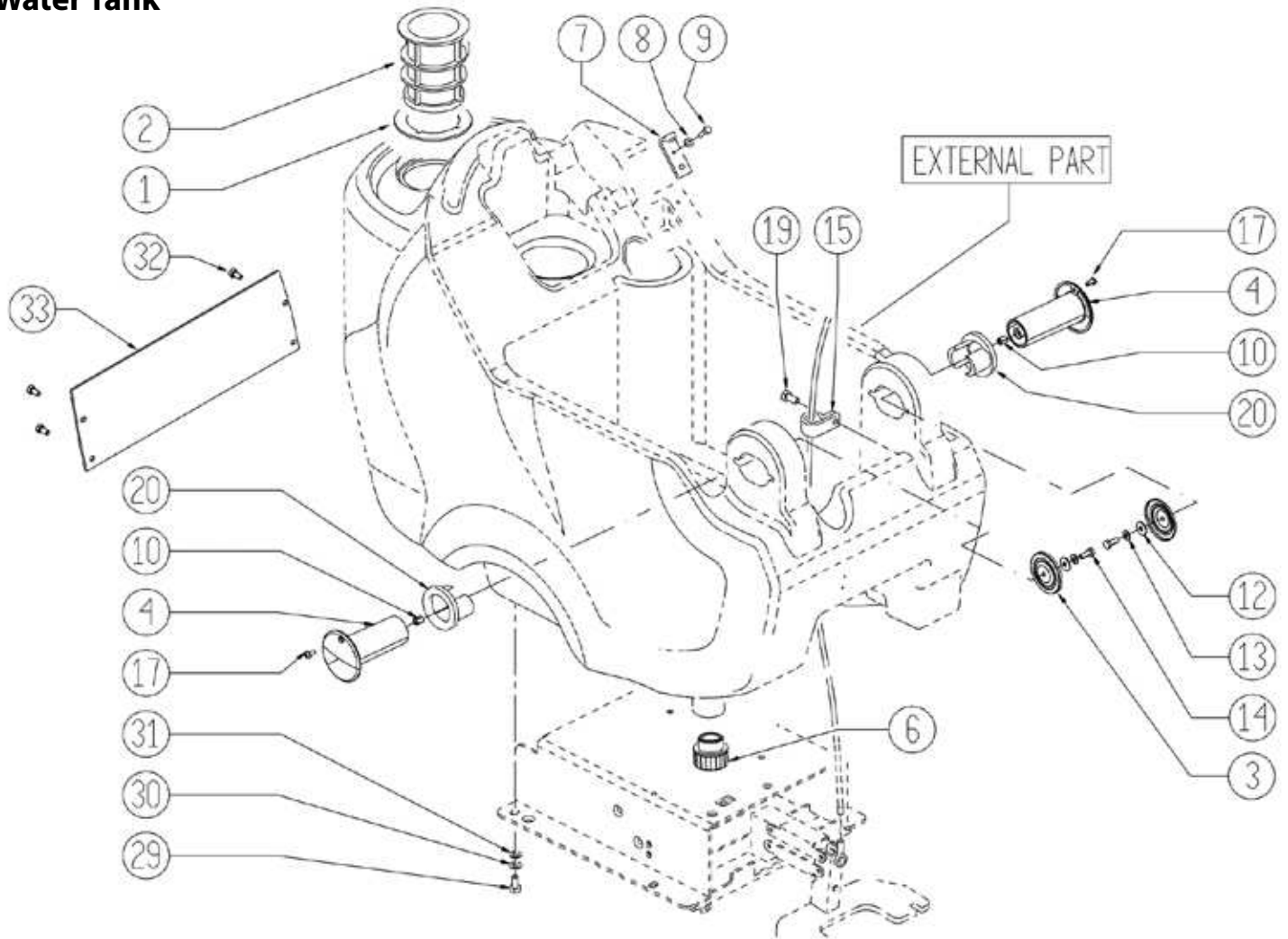
Ref.	Part N.	Description	Quantity	Validity From	Validity To
1	3TBFX48011	TUBE FLEX D.12X3 ARMORV.PVC TR	1,05		
2	3FSVR00428	CLAMP D. 12-20	4		
4	3VTRS00515	WASHER D. 4 INX	2		
5	3MEEV00036	SOLENOID VALVE HOLE 8mm	1		
10	3MPVR06303	FILTER	1	02/2013	
11	3LAFN07783	CONNECTOR	1		
12	3VTRS00567	WASHER 1/2	2		
17	3TBFX48011	TUBE FLEX D.12X3 ARMORV.PVC TR	0,17		
19	3VTVT01158	SCREW M4x16	2		

## Crankcase



Ref.	Part N.	Description	Quantity	Validity From	Validity To
1	3MPVR04990	RECOVERY TANK	1		
2	3MPVR05251	SOLUTION TANK	1		

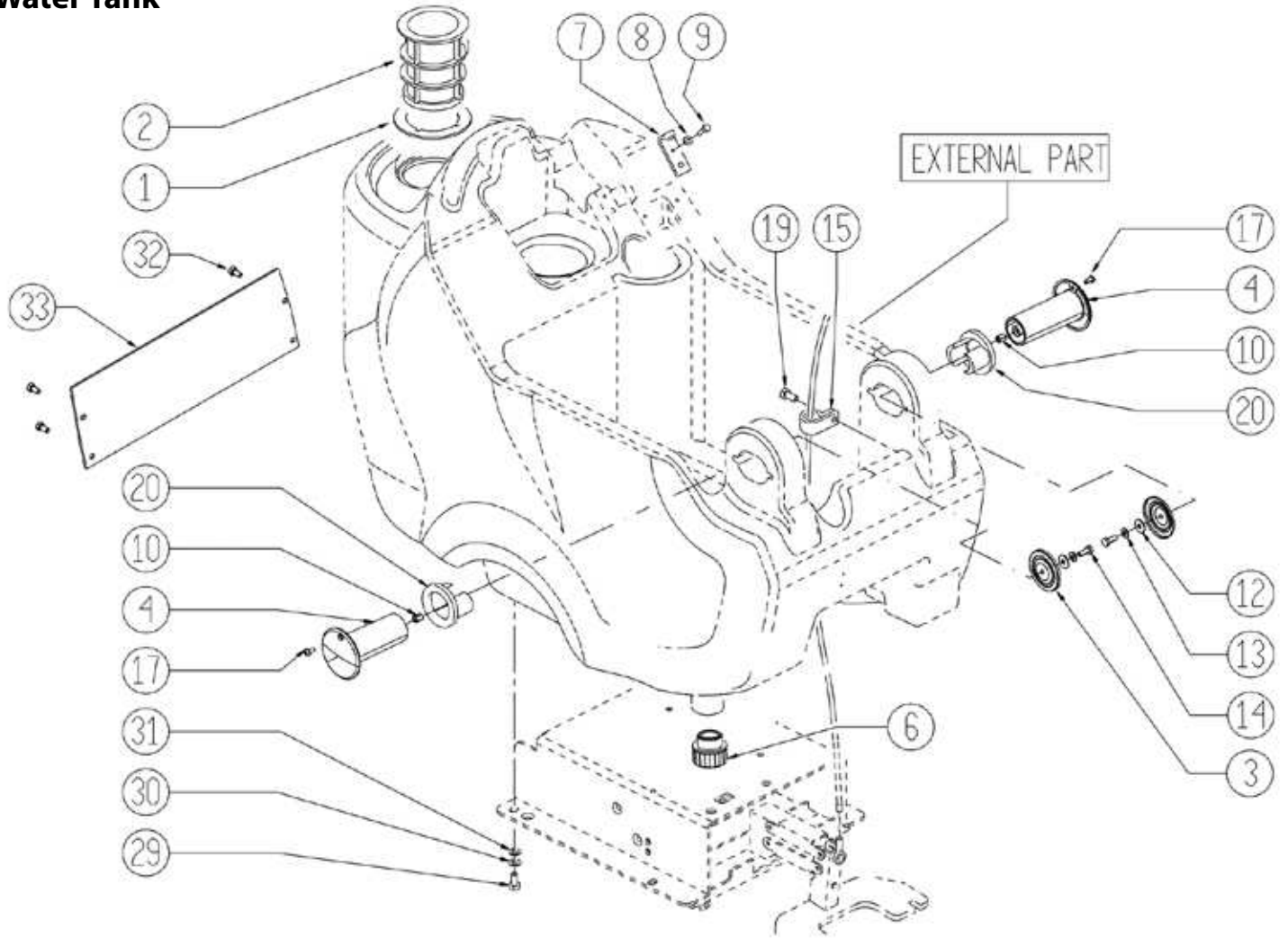
## Water Tank



Ref.	Part N.	Description	Quantity	Validity From	Validity To
1	3GUGO00267	GASKET FILTER	1		
2	3FTAC00040	FILTER	1		
3	3LAFN07800	SHEET METAL PA.	2		
4	3MPVR06407	PIN	2		
6	3MPVR08003	CAP	1		
7	3LAFN06489	PLATE	1		
8	3VTRS15144	WASHER D. 6 INX GRW UNI 1751	1		
9	3VTVT01303	SCREW TE M6-10 INOX	1		
10	3VTVR48693	INSERT M6 D.9	2		
12	3VTRS13945	WASHER D. 6X18 INX UNI 6593	2		
13	3VTRS15144	WASHER D. 6 INX GRW UNI 1751	2		
14	3VTVT15143	SCREW TE 6X16 UNI5739	2		
15	3MPVR02933	DUCT LOCK D.9,5	2		
19	3VTVT15961	SCREW M 5X 16 TCB TC UNI 7687	1		
20	3PMVR02028	RUBBER GROUP ASSEMBLY	2		
29	3VTVT15916	SCREW TE M 8X 16 UNI 5739 A2	4		

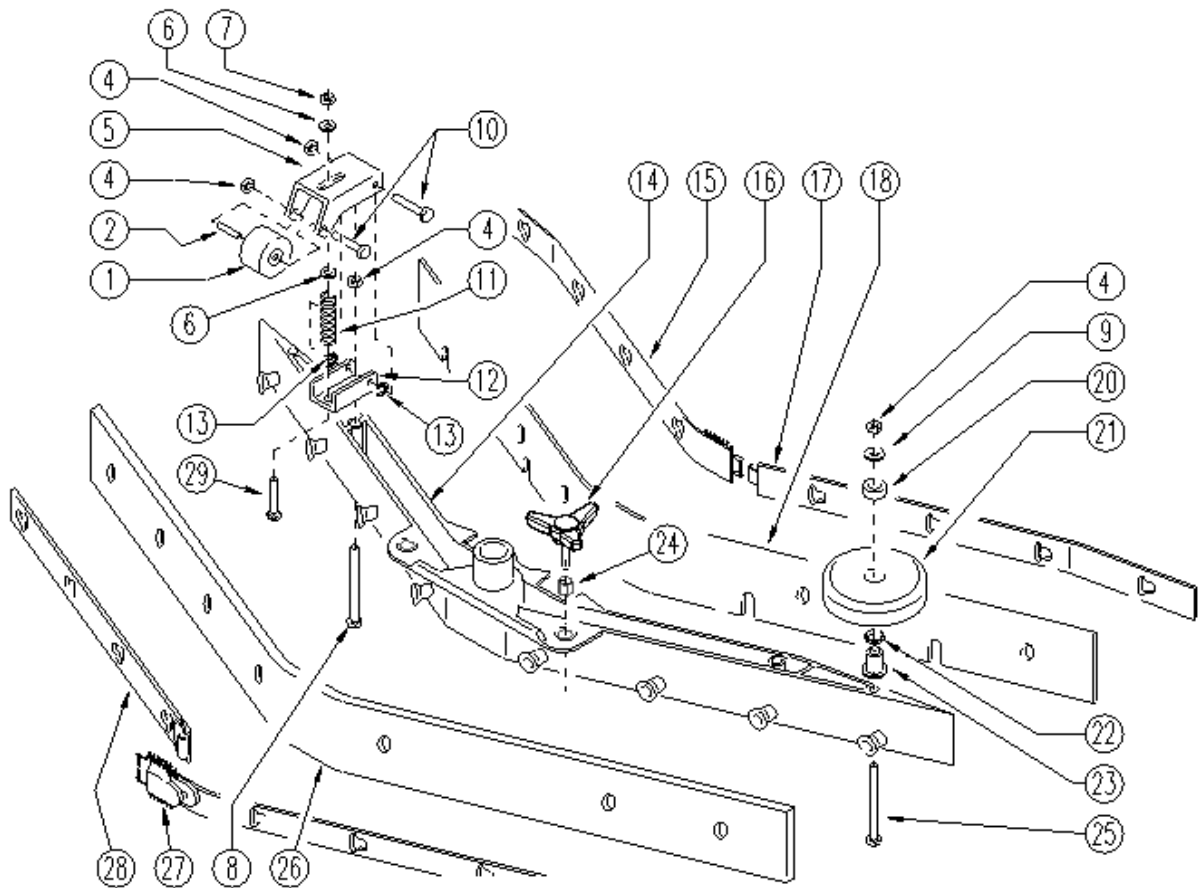


## Water Tank



Ref.	Part N.	Description	Quantity	Validity From	Validity To
30	3VTRS00269	WASHER D. 8 DIN 6798-A INX A2	4		
31	3VTRS13947	WASHER D. 8 INX UNI 6592	4		
33	3MPVR05605	CLOSURE	1		

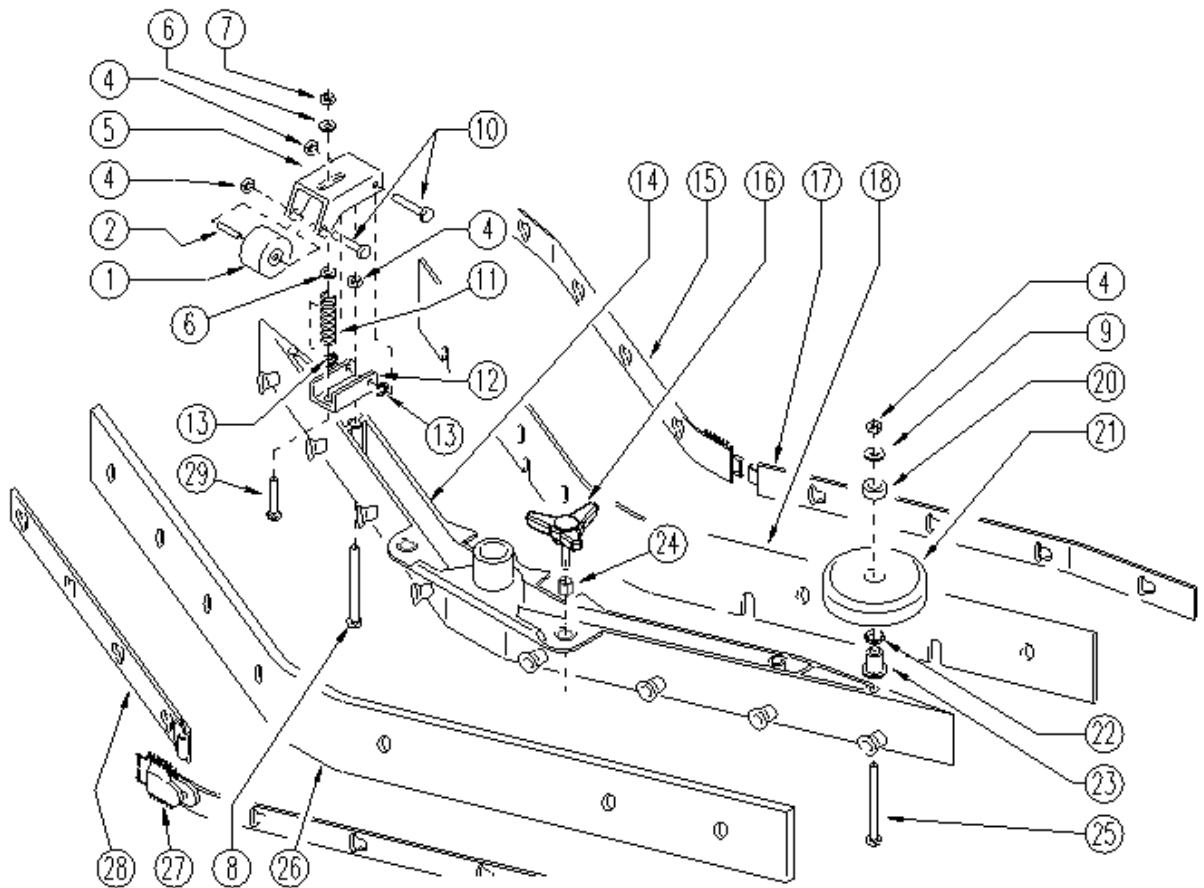
# Squeegee



## Complete Squeegee Assembly - 3PMVR02003

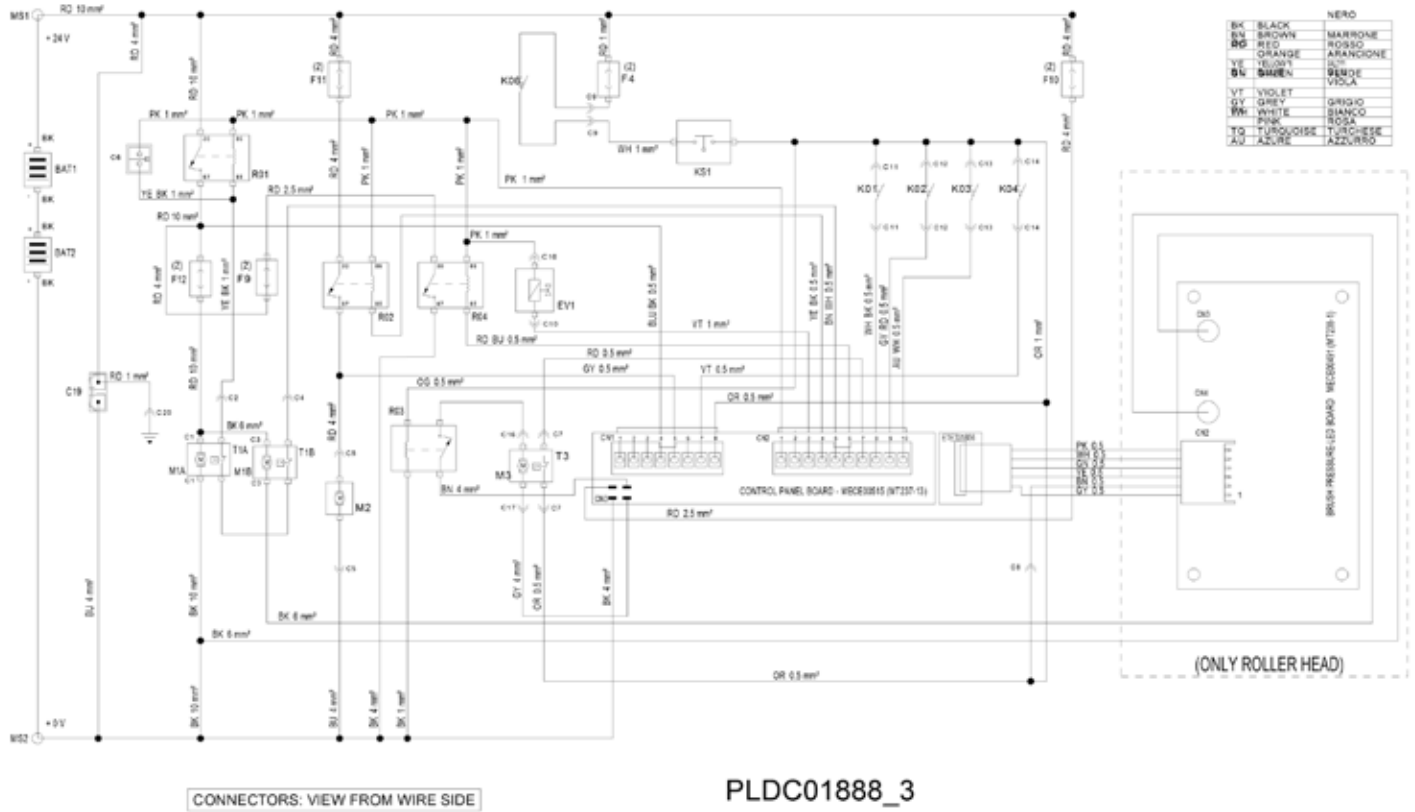
Ref.	Part N.	Description	Quantity	Validity From	Validity To
1	3RTRT49413	WHEEL D. 60-D.15 X36 NYL.	2		
2	3LAFN04041	SPACER D6/15	2		
4	3VTDD01694	NUT M 6 INX	8		
5	3LAFN05559	SUPPORT WHEEL	2		
6	3VTRS13947	WASHER D. 8 INX UNI 6592	4		
7	3VTDD01695	NUT M 8 INX	2		
8	3VTVT15142	SCREW TE M 6x45 INOX	2		
9	3VTRS00245	WASHER D.6 UNI 6592 INOX	2		
10	3VTVT15515	SCREW TE M 6X 50 INOX A2	4		
11	3MLML49422	SPRING D.15X 45 X1	2		
12	3LAFN51069	BRACKET SUPP. SQUEEGEE	2		
13	3VTAE45707	CIRCLIP D. 6 UNI 7434 INOX	4		
14	3KTROI2048	BODY SQUEEGEE CAST	1		
15	3LAFN51045	BLADE HOLDER FRONT LEFT	1		
16	3MPVR05265	KNOB 8X25	2		
17	3LAFN51044	BLADE HOLDER FRONT RIGHT	1		
18	3MPVR45194	FRONT SQUEEGEE BLADE	1		
20	3MPVR49229	BUSHING SHK	2		

# Squeegee



Ref.	Part N.	Description	Quantity	Validity From	Validity To
21	3MPVR05290	ROLLER BUFFER	2		
22	3GUGO00164	GASKET	2		
23	3LAFN04100	SPACER WHEEL FOR BUMPER	2		
24	3VTVR00022	INSERT THREAD HEXAGON	2		
25	3VTVT17342	SCREW TE M 6X 60 UNI 5739 INX	2		
26	3MPVR45195	REAR SQUEEGEE BLADE	1		
27	3LAFN49284	BLADE HOLDER REAR RIGHT	1		
28	3LAFN49285	BLADE HOLDER REAR LEFT	1		
29	3VTVT01304	SCREW M 8X 40 TTQST UNI 5731	2		

# Elec. Diagram 1



Ref.	Part N.	Description	Quantity	Validity From	Validity To
EV1	3MEEV00036	SOLENOID VALVE HOLE 8mm	1		
F04	3MEVR01428	A BLADE 2 A. UNIVAL	1		
F09	3MEVR02060	FUSE 40A	1		
F10	3MEVR02061	FUSE 80A	1		
F11	3MEVR02060	FUSE 40A	1		
F12	3MEVR02061	FUSE 80A	1		

## Elec. Diagram 2

COMPONENTS			
(1)(2)	F12	FUSE- BRUSH MOTORS (50 A) (80A ROLLER HEAD)	MS1 CONNECTOR- BATTERY POSITIVE
(2)	F11	FUSE-VACUUM MOTOR (40 A)	MS2 CONNECTOR- BATTERY NEGATIVE
(2)	F10	FUSE-TRACTION MOTORS (30 A)	C1 CONNECTOR- BRUSH MOTOR 1
(2)	F9	FUSE-BRUSHES RELEASE (40 A)	C2 CONNECTOR- THERMIC SW. BRUSH MOTOR 1
(2)	F4	FUSE-CONTROL PANEL (2 A)	C3 CONNECTOR- BRUSH MOTOR 2
	R01	RELAY- BRUSH MOTORS	C4 CONNECTOR- THERMIC SW. BRUSH MOTOR 2
	R02	RELAY- VACUUM MOTOR	C5 CONNECTOR- VACUUM MOTOR
	R03	RELAY- TRACTION MOTOR	C6 CONNECTOR- "CHEM DOSE" ACCESSORY
	R04	RELAY- BRUSH RELEASE	C7 CONNECTOR THERMIC SWITCH-TRACTION MOTOR
	EV1	ELECTRO-VALVE	C8 CONNECTOR- PRESSURE BOARD
	KS1	GENERAL KEY	C9 CONNECTOR- BATTERY RECHARGE SAFETY
	K01	SWITCH- HAND LEVER	C10 CONNECTOR- BOARD/ ELECTROVALVE
	K02	SWITCH- RECOVERY TANK LEVEL (MAX)	C11 CONNECTOR- HAND LEVER
	K03	SWITCH- SOLUTION TANK LEVEL ( MIN )	C12 CONNECTOR- RECOVERY TANK LEVEL (MAX)
	K04	SWITCH- FORWARD / REWARD	C13 CONNECTOR- SOLUTION TANK LEVEL ( MIN )
	K06	SWITCH- BATTERY RECHARGE SAFETY	C14 CONNECTOR- FORWARD / REWARD
	M1A	MOTOR- BRUSH 1	C15 CONNECTOR- EXTERNAL BATT.CHARGER
	M1B	MOTOR- BRUSH 2	C16 CONNECTOR- TRACTION MOTOR
	M2	MOTOR- VACUUM	C17 CONNECTOR- TRACTION MOTOR
	M3	MOTOR- TRACTION	C19 CONNECTOR- BATTERY RECHARGE
	T1A	THERMIC SWITCH BRUSH MOTOR 1	C20 RING TERMINAL Ø8
	T1B	THERMIC SWITCH BRUSH MOTOR 2	CN1 CONNECTOR- CONTROL PANEL BOARD
	T3	THERMIC SWITCH TRACTION MOTOR	CN2 CONNECTOR- CONTROL PANEL BOARD
			CN3 CONNECTOR- CONTROL PANEL BOARD
			CN4 CONNECTOR- CONTROL PANEL BOARD

Ref.	Part N.	Description	Quantity	Validity From	Validity To
EV1	3MEEV00036	SOLENOID VALVE HOLE 8mm	1		
F04	3MEVR01428	A LAMA 2 A. UNIVAL	1		
F09	3MEVR02060	FUSE 40A	1		
F10	3MEVR02061	FUSE 80A	1		
F11	3MEVR02060	FUSE 40A	1		
F12	3MEVR02061	FUSE 80A	1		

