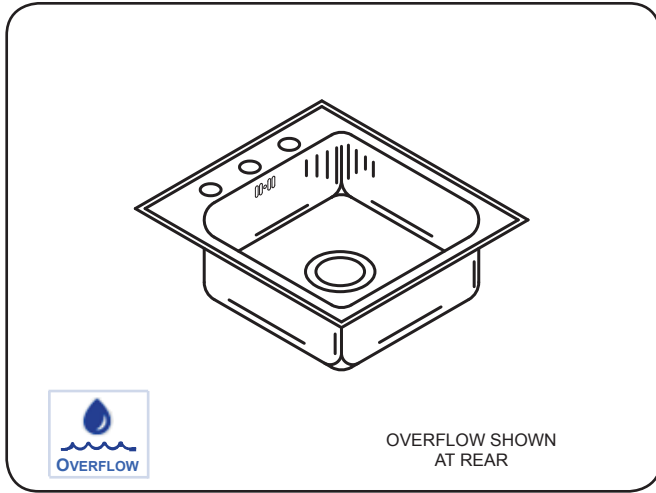




SLF-ADA-2225-A-GR

STYLIST GROUP ADA COMPLIANT SINGLE COMPARTMENT - LEDGEBACK with INTEGRA-FLOW

SUBMITTAL DATA



OVERFLOW SHOWN AT REAR

7.26
Gallon
Capacity*

*CAPACITY MATTERS

Max. I.D. sizing with straight-sided, non-tapered bowl configuration. Tight corner radius design. Capacity based on 6-1/2" depth.

SPECIFICATION

Seamless die-drawn construction of 18 gauge type 304 stainless steel. Interior and top surfaces polished to a non-porous Hand Blended Just Finish. Fully coated underside insulates for sound and reduces condensation. Straight sided compartment with 1-3/4" radius corners provides greater capacity. Self-rimming top mount with Grip-Rim Plus, with stainless steel mounting channels. Integra-flow overflow system. Drain punched for Just J-35-SSF drain. Certified to ASME A112.19.3/CSA B45.4; UPC; IPC.



Sink certified to ASME A112.19.3/CSA B45.4; Uniform Plumbing Code (UPC); International Plumbing Code (IPC), by NSF International. Certified with/without overflow, less fittings.

Sink certified compliant with 2010 ADA Standards for Accessible Design and ICC/ANSI A117.1 by NSF International.

TYPE 316 STAINLESS STEEL (Check if applicable)

CUTOUT DIMENSIONS		
Model Number	Front-to-Back	Left-to-Right
SLF-ADA-2225-A-GR	21-1/4	241/4

APPROVED FOR MANUFACTURING

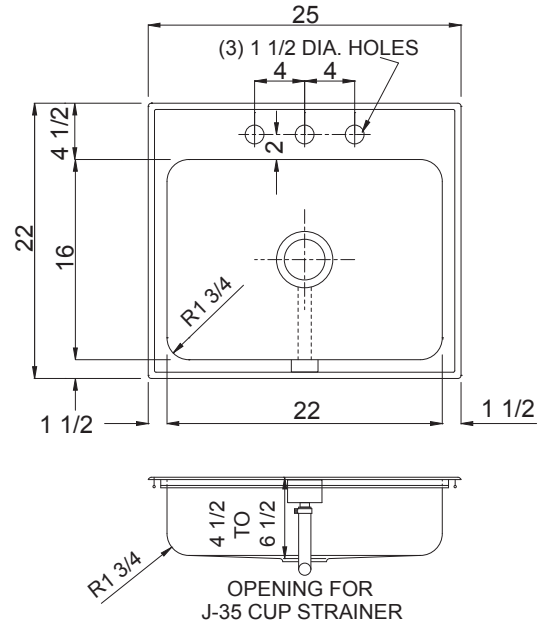
MODEL NO.: **SLF-ADA-2225-A-GR** QTY: _____

JOB NAME: _____

TAG/ITEM: _____

CUSTOMER: _____

SIGNATURE: _____



FAUCET PUNCHING - MUST BE SPECIFIED	
<input type="checkbox"/>	(1) Hole Centered
<input type="checkbox"/>	(2) Holes on 4" centers
<input type="checkbox"/>	(3) Holes on 4 "centers(illustrated)
<input type="checkbox"/>	Alternate Punching: Faucet Model: <input type="checkbox"/> <input type="checkbox"/> Punching Required:
DEPTH - MUST BE SPECIFIED:	
<input type="checkbox"/>	4 1/2" DEEP
<input type="checkbox"/>	5" DEEP
<input type="checkbox"/>	5-1/2" DEEP
<input type="checkbox"/>	6" DEEP
<input type="checkbox"/>	6-1/2" DEEP
DRAIN LOCATION - MUST BE SPECIFIED:	
<input type="checkbox"/>	CENTER
<input type="checkbox"/>	CENTER REAR
<input type="checkbox"/>	LEFT REAR
<input type="checkbox"/>	RIGHT REAR
OVERFLOW LOCATION - MUST BE SPECIFIED:	
<input type="checkbox"/>	FRONT (SHOWN)
<input type="checkbox"/>	REAR
<input type="checkbox"/>	LEFT
<input type="checkbox"/>	RIGHT



JUST MFG. COMPANY CONTINUES TO MAKE QUALITY AND FUNCTIONALITY A MARK OF THE JUST PRODUCT LINE. WE RESERVE THE RIGHT TO CHANGE PRODUCT INFORMATION WITHOUT NOTICE. DIMENSIONS MAY CHANGE AND MAY BE SUBJECT TO CHANGE WITHOUT NOTICE. NO RESPONSIBILITY IS ASSUMED FOR USE OF SUPERCEDED OR VOIDED DATA. JUST MFG. CO. SINKS ARE MADE IN THE U.S.A. WHEN COMPARING OTHER BRAND PRODUCTS, BE SURE TO COMPARE USA QUALITY ALONG WITH FEATURES AND DIMENSIONS.

JUST MANUFACTURING COMPANY 9233 KING STREET . FRANKLIN PARK . ILLINOIS . 60131-2111
PH: 847-678-5150 . FAX: 847-678-6817 . E-MAIL: custserv@justmfg.com . www.justmfg.com