

REO INTERIOR WALL

AIW10377

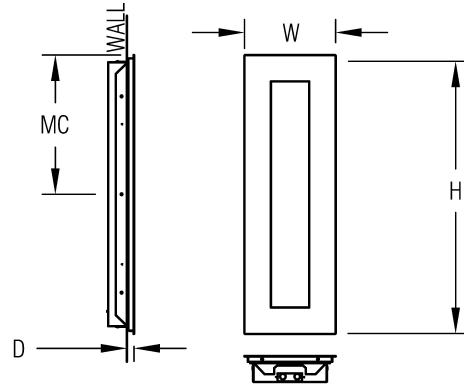
JOB NAME

TYPE



ADA

Reo can be fully recessed, revealing only the faceplate. With a 1.0" wall projection, Reo easily satisfies ADA standards. Five optional color gels add a splash of color, serving as a guide or visual path. The ability to complement any style comes standard.



Dimensions

W	H	D	MC
13.0 in	52.0 in	1.0 in	26.0 in
330 mm	1321 mm	25 mm	660 mm

Weight

Hanging weight: 25.0 lb (11.4 kg).

Features

- Integral Class II power supply included, eliminating the need for remote mounting, simplifying installation.
- Formed metal construction provides durable protection for internal components and is recyclable.
- Embossed stainless steel-linear and crosshatch face plate option adds a unique, metal accent and texture to a space.
- Durable wood laminate faceplate option adds a warm, natural texture to a space.
- Fixture adds a splash of color to a space with theatrical color gels. Standard colors are available with other colors available upon request. Contact factory to customize a color gel that coordinates with your application.
- Standard thermoset polyester powder coat paint provides durable protection in a palette of color options. Custom colors available upon request.
- Compliant with Americans with Disabilities Act (ADA) requirements.

Technical Notes

Electrical

- Fluorescent versions have integral electronic ballasts utilizing the latest energy-saving technology, providing prolonged lamp life and maintaining consistent color.
- Advent uses strict quality guidelines in LED selection to ensure the white LED's we use meet or exceed ANSI Binning Standards (ANSI C78.733).
- Thermally protected ballast limits operating temperature.
- Class "A" sound rated ballast for use in low ambient noise applications.
- Meets NEC 410.73 double-ended, fluorescent lamp ballast disconnect requirements.
- ETL listed to UL standards (US and Canada) for use in damp locations. Not recommended for exterior applications.

Lamping/lamp

- L70 life= 50,000+ hours.
- Fluorescent lamps are 3500K unless specified.

- Lamps included, with the exception of T8, T5 and incandescent.

Mounting






- Requires recessed mounting.
- Additional mounting structure and hardware required (by others).

Additional Documents

[Color Chart \(http://www.specAdvent.com/pdfs/advent_color_chart.pdf\)](http://www.specAdvent.com/pdfs/advent_color_chart.pdf)

MODEL NUMBER	LIGHT SOURCE	FINISH	VOLTAGE	LAMP OPTIONS	OPTIONS	COLOR ACCENTS

Not all options are available in all configurations, consult factory for details.

Light Source		Photometry	Voltage		Options		
L50.2W	White 50.2W 3.2W/6" LED Light Engine Delivered Lumens: 2,053	52IN REC WS LED LOW	120-277V	Universal Voltage		ES1	Embossed Stainless Steel-linear Pattern
L100.4W	White 100.4W 6.4W/6" LED Light Engine Delivered Lumens: 4,106	52IN REC WS LED HIGH	120V	120 Volt		ES2	Embossed Stainless Steel-cross Hatch Pattern
2F28	 2F28WT5/Mini Bipin	ITL60320	277V	277 Volt		WF1	Cherry Laminate
2F28DM	 2F28WT5/Mini Bipin Dimming	ITL60320	Lamp Options		WF2	Maple Laminate	
2F32	 2F32WT8/Med Bipin	ITL60320	DML ²	0-10V Dimming		Color Accents	
2F54	 2F54WT5HO/Mini Bipin	ITL60320	3000K	3000K Cct		CG00	White Color Gel
2F54DM	 2F54WT5HO/Mini Bipin Dimming	ITL60320	3500K	3500K Cct		CG01	Red Color Gel
			4000K	4000K Cct		CG02	Orange Color Gel
			EMR	Emergency Ballast Remote		CG03	Green Color Gel
						CG04	Blue Color Gel

¹ T5 & T8 Fluorescent Linear Lamp(s) Not Included
² DML with LED light engine only.

Painted Finishes

PT01 SuperWhite	PT07 Light Taupe	PT13 Warm Gray	PT19 Blue	PT29 Red Brass	PT42 Sky Blue	PT48 Brass
PT02 White	PT08 Medium Taupe	PT14 Light Gray	PT20 Dark Green	PT31 Medium Bronze	PT43 Teal	PT49 Bronze
PT03 Morning Light	PT09 Medium Gray	PT15 Sage	PT21 Pearl White	PT32 Dark Bronze	PT44 Green	
PT04 Warm White	PT10 Dark Gray	PT16 Spruce	PT22 Platinum	PT33 Dark Blue	PT45 Purple	
PT05 Putty	PT11 Black	PT17 Red	PT27 Deep Copper	PT40 Yellow	PT46 Aluminum	
PT06 Warm Beige	PT12 Dark Chocolate	PT18 Deep Red	PT28 Dark Stainless	PT41 Orange	PT47 Deep Red Brass	

Metal and Plated Finishes

BAL	Brushed Aluminum
-----	------------------