

## MealtimeXpress Support Cart



### Item Numbers

□ DXMTXSCN1

*Shown with optional overhead shelf, tray slides, black laminate panels and accessories*

### Application

The MealtimeXpress Support Cart is specifically designed to complement the Perfect Serv and MealtimeXpress bulk meal delivery carts. It assists in providing a total meal service to a patient dining area (pantry, patient floor, dining or multi-purpose room). The MealtimeXpress Support Cart is also useful as stand alone snack, nourishment or hydration cart.

### Construction

Fully welded stainless steel construction to meet institutional requirements. 2 sets of adjustable drawer slides and 3 sets of adjustable tray slides supplied with each unit. Slides are sized for use on either side of cart and have a 1 inch incremental adjustment.

Compartments and slides are sized to accommodate multiple size trays, pans, and drying racks. Tubular top rail assembly is mechanically fastened for easy removal or replacement in field.

Exterior panels as standard are stainless steel, but can be laminated to match any decor. Design emphasis is based on function, ergonomics, clean ability, and dependability. Laminate panels are optional to match the MealtimeXpress Delivery Cart.

### Standard Features

- Full stainless construction
- (3) sets of universal solid adjustable shelving/slides
- (2) sets of adjustable drawer slide shelves
- 1 inch incremental adjustment on shelves
- Shelves/slides interchangeable from side to side
- (3) sided top rail system
- Full perimeter bumper
- Push handle
- 6 inch casters, all swivel, 2 with brakes located on operator side of cart.
- Heavy substructure to provide rigidity on working surface

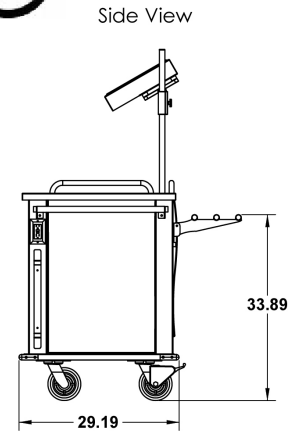
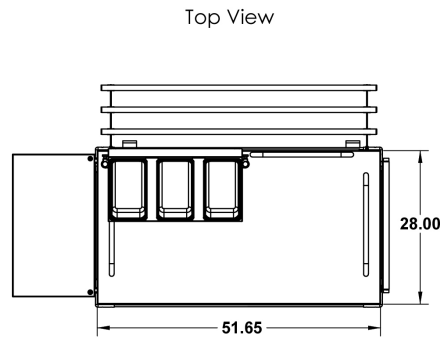
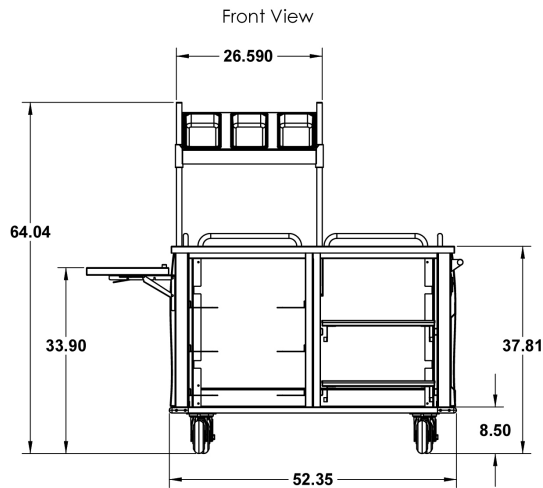
### Options

- Overhead shelf with adjustable angle and height
- Divider bars for overhead shelf to support up to (3) third size pans (provided by customer)
- 120V - 20 amp convenience outlet
- 3 bar fold down tray slide
- Drop down end shelf for tray prep (limited to 1 per cart)
- Additional interior slides (adjustable height and removable)
- Additional roller interior slides
- Laminate panels (hundreds of different options)
- Doors

### Warranty

One year parts and labor.

# MealtimeXpress Support Cart




Shown with optional Overhead Shelf, Tray Slide, End Shelf, and Electrical Outlet

## Base Model

ITEM NUMBER	MODEL NUMBER	DESCRIPTION	SHIP WEIGHT	SHIP CUBE
DXMTXSCN1	MTXSCN1	Support Cart, includes overhead shelf, 4 pair of slides, 2 pair of roller slides	450 lb (204 kg)	105.56

## Options

ITEM NUMBER	MODEL NUMBER	DESCRIPTION
DXMTXFLP	MTXFLP	Laminate Panels
DXMTXTS	MTXTS	3 Bar Fold Down Tray Slide
DXMTXDDES	MTXDDES	Drop down end shelf for tray prep
DXDLCA62	DLCA62	Directional Tracking Casters (set of 2)
DXDOUT	DOUT	Duplex outlet, 120 V, 20 amp 

## Accessories

ITEM NUMBER	MODEL NUMBER	DESCRIPTION
DXMTXTD	MTXTD	Standard Transfer Dolly
DXMTX8C	MTX8C	Additional Cassettes
DXMTXTDVC33U▼	MTXTDVC33U	Vinyl Cover

**WARNING:** Products identified on this page with the following symbol▼ contain chemicals, including one or more phthalates, known to the State of California to cause cancer and birth defects and other reproductive harm.

Please confirm that you have the most current specification sheet by visiting [www.dinex.com](http://www.dinex.com).

Dinex reserves the right to change specifications and product design without notice. Such revisions do not entitle the buyer to corresponding changes, improvements, additions or replacements for previously purchased equipment.

Printed in USA

© 2013 Carlisle FoodService Products  
Oklahoma City, OK 73131  
[www.dinex.com](http://www.dinex.com) | 800-654-8210

**DINEX**  
A CARLISLE COMPANY