

# **PLUMBLINE<sup>®</sup>**

## **3000 Series Water Filters**

### **Owner's Manual Installation Instructions**



# **PLUMBLINE®**

## **3000 Series Water Filters**



### **Congratulations!**

We know you'll love your clean water and your new Plumblime Water Filter from Monument® Water Systems. You'll soon wonder how you ever lived without it.

Improving your water with a Plumblime Water Filter is just one way to enjoy better water in your home. Contact your Monument Water Systems representative for more information about additional products.

## Table of Contents

How to Use Your System. . . . .	3
Installation Instructions. . . . .	7
Warranty. . . . .	15
Register Your Product. . . . .	17

## *How to Use Soft Water*

Your system uses advanced technology to deliver effective and efficient water filtration to protect your home, deliver optimal water quality to you and your family, and save you money, all while providing years of trouble-free operation.

**Your installer has specified your system based on your water conditions. Your water may have one or more of the following issues:**

- Oxidized Iron, Manganese or Hydrogen Sulfide
- Sediment, Dirt, Silt, Cloudiness
- Low pH (Acidic Water)
- Chlorine, Odd Tastes or Odors

**Your Plumblin Water Filter is designed to correct your water problem so you can enjoy clean, clear water, and minimize stains and corrosion.**

**Your system operates in two primary modes:**

**Online:** Your water passes through media in your system's filtration tank which removes troublesome materials or chemicals, improves clarity, removes off tastes and odors, and/or neutralizes pH.

**Backwash:** Your system cleans itself by rinsing accumulated materials from the tank and remixing the media bed to ensure continued filtration and flow.

### **Additional Features You'll Find on Your Plumblin System**

- **Advanced Electronic Control Valve with Backlit Display:** Incorporates the latest filter control technology for optimal performance, efficiency and longevity. Easy visibility in low light conditions.
- **Easy-to-Read Indicator Icons:** Alert you to system status at a glance.
- **Extra Cycle and Manual Advance Options:** Allow you to trigger a backwash immediately or advance through backwash manually in the event you want additional control over cycle timing.
- **Power Backup:** Time-of-day backup for up to 12 hours of power outage.
- **High Flow Design:** The Plumblin system delivers the high flow rates required by today's demanding households.
- **Integrated By-pass Valve:** Allows you to take your system offline if necessary.

## How to Use Your System (continued)

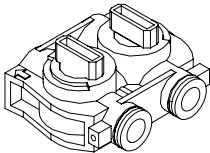
### System Maintenance and Adjustments

**Maintaining Filtration Media:** Some media requires periodic replenishment or eventual replacement. Ask your Monument Water Systems professional for assistance. Follow these general guidelines to determine when to replace your media:

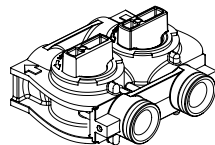
- **Macrolite®:** Automatically cleaned during backwash and should not require replacement.
- **Carbon:** Will exhaust capacity in several years depending upon the severity of the influent water problem. Monitor your water for signs of taste, odor and/or chlorine breakthrough to determine when to replenish your carbon bed.
- **Calcite:** Since calcite dissolves into your water to neutralize pH, it requires regular replenishment. Check your system's media level regularly to determine whether it requires refilling.

**By-passing Your System:** Plumblinc's integrated by-pass valve allows you to by-pass your system should you ever wish to take it offline while you use water for other purposes. To by-pass your system, turn both handles until they are perpendicular to the system inlet/outlet. To place your system back online, turn both handles until they are parallel with the system inlet/outlet.

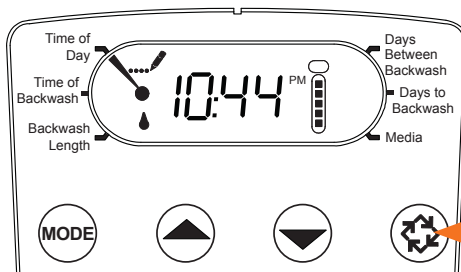
Online



By-pass



**Extra Cycle / Manual Backwash:** Should you ever want to initiate an extra system backwash due to unexpected higher water use, simply press the Extra Cycle button for five seconds. Do the same to cancel a backwash already in process.



## How to Use Your System (continued)

### Plumbline 3000 Series Water Filter Models

Plumbline 3000 Series Water Filters are available in several configurations. Your installer has chosen the ideal model(s) for your application.

Model	Application	Media	Tank Size	Service Flow Rate*	Peak Flow Rate**	Connection	Media Volume
PF3500TC	chlorine, taste, odor	carbon	10" x 40"	7 gpm	9 gpm	1"	1.0 cu. ft.
PF3600TC	chlorine, taste, odor	carbon	12" x 42"	8 gpm	10 gpm	1"	1.7 cu. ft.
PF3500TN	acidic water (low pH)	calcite	10" x 40"	7 gpm	9 gpm	1"	1.0 cu. ft.
PF3600TN	acidic water (low pH)	calcite	12" x 42"	8 gpm	10 gpm	1"	1.7 cu. ft.
PF3500TM	particulates and oxidized iron/manganese/sulphur	Macrolite®	10" x 40"	9 gpm	11 gpm	1"	0.6 cu. ft.
PF3600TM	particulates and oxidized iron/manganese/sulphur	Macrolite®	12" x 42"	10 gpm	12 gpm	1"	1.0 cu. ft.

\* Optimal contaminant reduction at 50% service.

\*\* Peak calculated as intermittent demand; systems not rated for constant flow at peak.



# **PLUMBLINE®**

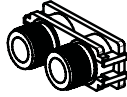
## **3000 Series Water Filters Installation Instructions**

### **Contents of Carton(s)**

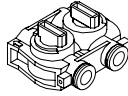
#### **Parts**



**Owner's Manual &  
Installation Instructions**



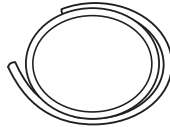
**In/Out Adapter  
Part No. 13123**



**By-pass Valve  
Part No. 13119**



**Mounting Clip (4 sets)  
(Attached to valve  
and by-pass valve)  
Part No. 15713**



**20 feet 1/2"  
Drain Line**



**Filter Assembly**



**Barbed Drain Adapter**

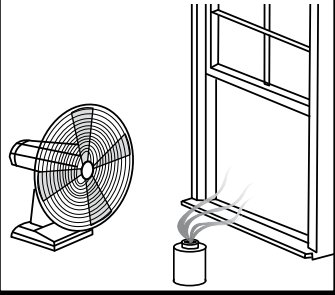


# Precautions

**1** Read.



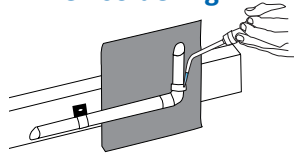
**2** Ventilate.



**3** Use eye protection.

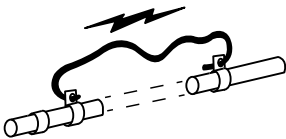


**4** Protect nearby materials when soldering.



Use only lead-free solder.

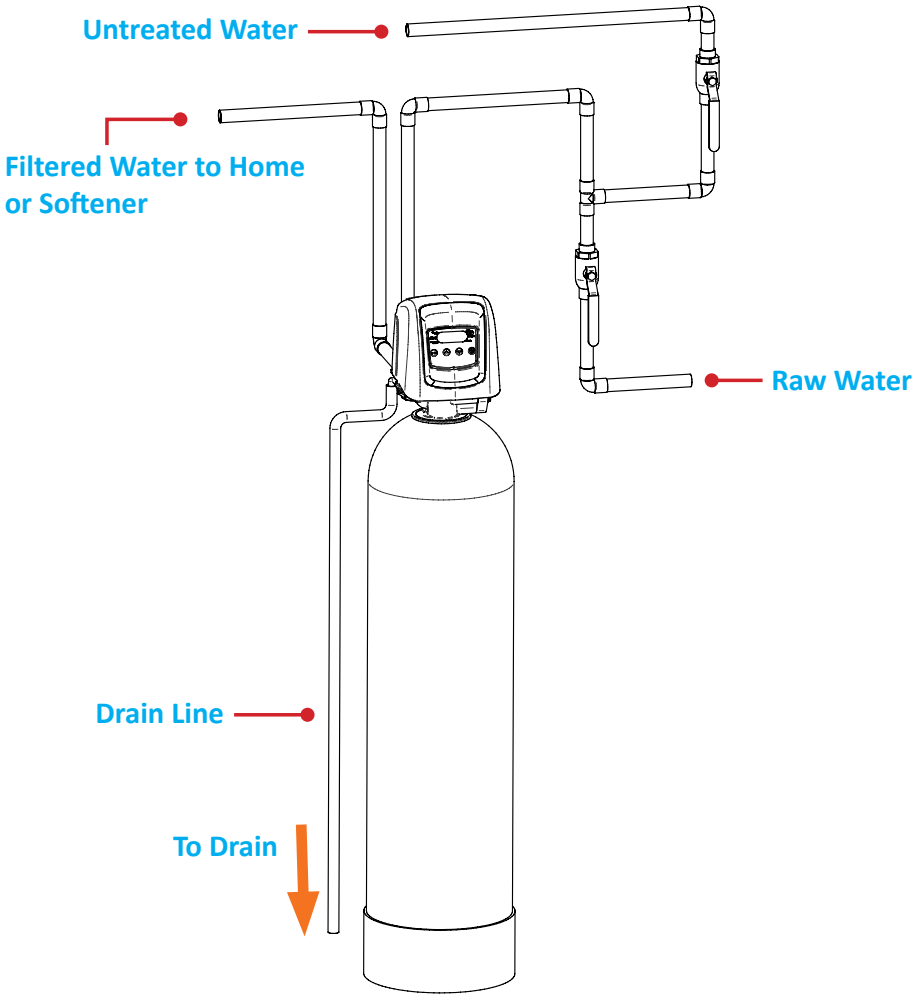
**5** Install grounding strap before creating plumbing gaps.



**6** Don't reach.



## System Setup



**NOTE:** Your installation may vary.

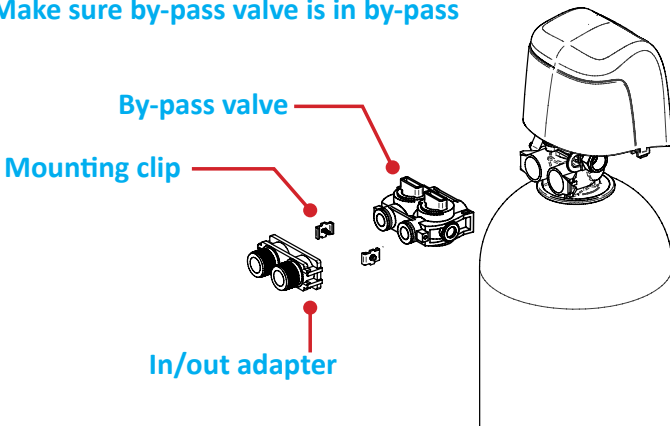
Follow all local plumbing codes.

## System Setup (continued)

1

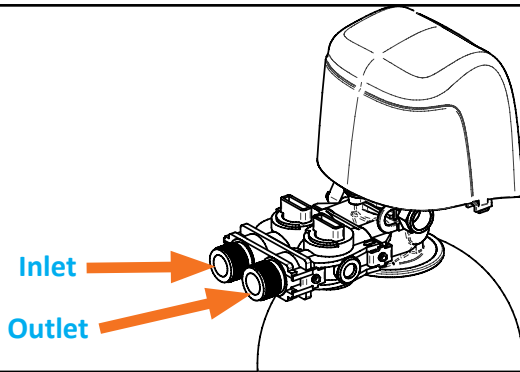
Unpack equipment. Locate and identify parts shown in “Parts” section. Connect by-pass valve, in/out adapter. Attach components using mounting clips. Position system on a hard level surface with access to inlet plumbing, drain and electric outlet.

**NOTE:** Make sure by-pass valve is in by-pass mode.



2

Connect plumbing from the inlet supply to the inlet of the water filter, then filter outlet to home's water supply.

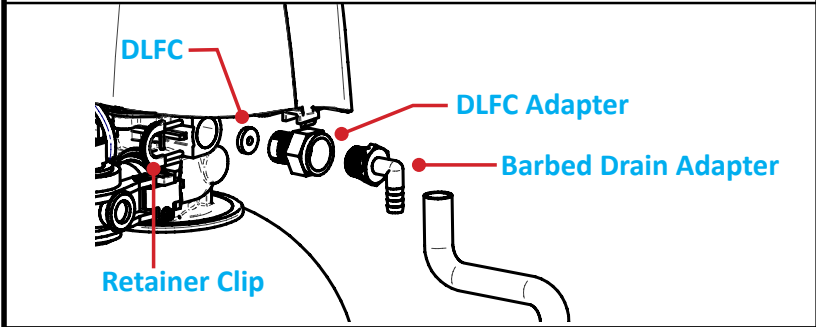


**NOTE:** When using a sweat adapter, be sure not to solder plumbing with adapter attached to equipment to prevent damage to plastic.

## System Setup (continued)

3

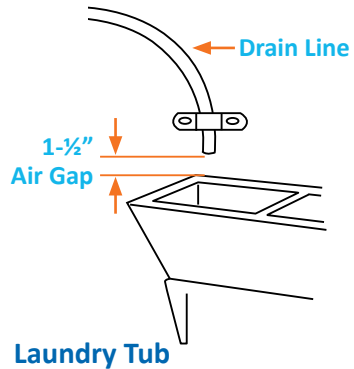
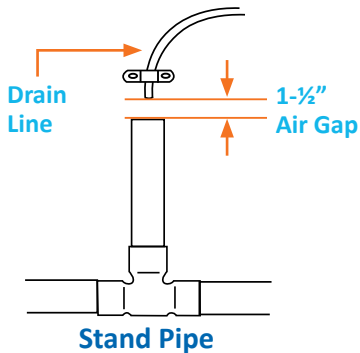
Confirm drain line flow control (DLFC) installation by removing retainer clip and disassembling as shown. Apply teflon tape to barbed drain adapter. Thread barbed drain adapter into DLFC adapter. Reassemble DLFC assembly and secure with retainer clip.



4

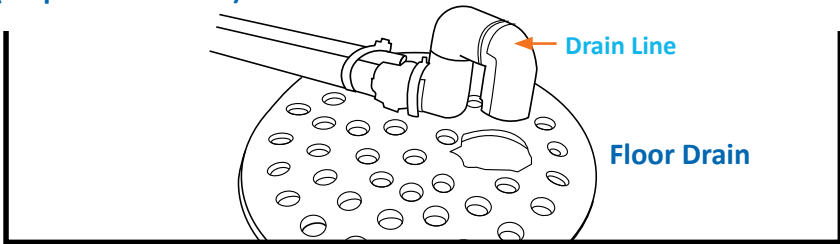
Connect drain line to barbed drain adapter and run to appropriate discharge point. Use a  $\frac{1}{2}$ " minimum pipe size for the drain. Use a  $\frac{3}{4}$ " drain line for runs that exceed 20 feet. Make connection to a sanitary waste system through an air gap of 2 pipe diameters or 1", whichever is larger.

### Discharge Options



## System Setup (continued)

(Step #4 continued)



5

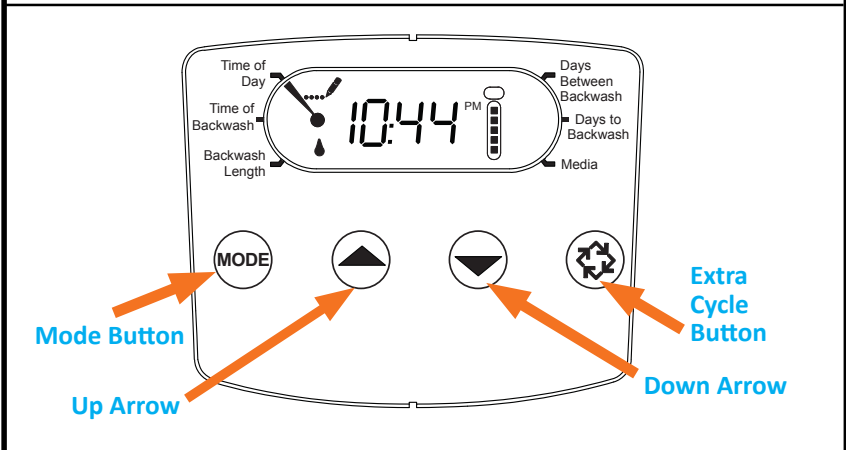
Connect power supply cord to nearest outlet.

6

Begin valve set-up.

- When the system is first plugged in, the display indicator will point to Media.
- Hold the Up button until "F" (Filter) is displayed.
- Hold the Extra Cycle button for 5 seconds to select "F."

**NOTE:** Press the Mode button to cycle through programming options. The display indicator will point to each mode as you navigate through the settings.



## System Setup (continued)

7

Set time of day.

- Set time of day by holding the Up or Down arrow.
- Hold the Extra Cycle button until the Program icon disappears to save the current time.

8

Set backwash detail.

1. Press the Mode button to advance to Time of Backwash. Push the up or down arrow to adjust to the desired time of day for backwash. NOTE: System is pre-set to backwash at 2:00 AM, but may be re-set to backwash at any desired time of day.
2. Press the Mode button again to advance to Backwash Length. Press the up or down arrow to adjust the length of backwash. NOTE: System is pre-set for a 9-minute backwash, but may be re-set to backwash lengths anywhere between 3 and 18 minutes if desired.
3. Press the Mode button again to advance to Days Between Backwash. Press the up or down arrow to adjust the number of days between backwashes. NOTE: System is pre-set to backwash every 3 days, but may be re-set anywhere between 1 and 30 days if desired.
4. Hold the Extra Cycle button until the programming icon disappears to save your programming.
5. Press the Mode button again to advance to Days to Backwash. This setting is not adjustable.

**NOTE:** If you are just changing one program step, hold the Extra Cycle button until the programming icon disappears to save your changes. If you do not hold the Extra Cycle button until the icon disappears, your changes will not be saved.

## System Setup (continued)

9

Start-up.

1. Place the by-pass into the online position.
2. Start an immediate regeneration by holding the Extra Cycle button for 5 seconds, which will cause the valve to begin backwashing. Ensure the drain line flow remains steady for selected backwash time period, or until the water runs clear.

**NOTE:** Pressing the Extra Cycle button during a regeneration cycle immediately advances the valve to the next step in the cycle, and then resumes normal cycle step timing.

3. Set the valve to the Rapid Rinse position by holding the Extra Cycle button for 5 seconds. Check the drain line flow, and run for 5 minutes or until the water runs clear.

10

Setup is complete.

## Limited Warranty for Residential Applications

# PLUMBLINE®

Monument® Water Systems (Monument) warrants its products to be free from defects in materials and workmanship. Any faulty part will be replaced at no charge within the following time periods originating from the date of original system installation.

### What is Covered?

#### I. Plumblime Water Softener and Filter

**5 Years:** Five years on the polyglass resin/media tanks, regenerant storage tank and Macrolite® filtration media.\*

**3 Years:** Three years on the control valve and brine valve.

**1 Year:** One year on all other components.

(\*There is no warranty on resin or media except for Macrolite.)

**II. Other Warranted Products:** Other products, components and accessories that are not specifically mentioned elsewhere in this warranty (including, but not limited to other tanks, filter housings and pumps) and/or not manufactured by but distributed by Monument Water Systems, are covered for a period of one year from the date of installation.

**Warranty under I and II does not include freight or labor charges.**

### Who is Covered?

This product warranty is transferable by the original owner to a subsequent owner. The only requirement is that the system must remain at the site of original installation.

### Extension of Warranty to a Subsequent Installation

The ORIGINAL OWNER may move the system to another location. The influent water quality at the subsequent location MUST, however, be within your system's operating specifications.

### Limits on this Warranty

Your system must be sold to you by a Monument Water Systems representative and installed, operated and serviced in accordance with Monument's recommendations and any applicable codes in order to receive coverage under this Limited Warranty. Additionally, this Limited Warranty does not cover products installed for any application other than single family dwellings. The design of the overall treatment system and the performance of your system is related to the chemistry of the water being treated; therefore, this Warranty is limited solely to the equipment manufactured and distributed by Monument Water Systems, including replacement products and parts. This Limited Warranty does not include damage to your system due to abuse, misuse, neglect, freezing, alterations, mis-application or a change in the influent water characteristics. Influent water conditions must not exceed the following operating specifications:

#### For Plumblime Water Softeners and Filters

- **Pressure:** 20 - 125 psi (1.4 - 8.6 bar)
- **Min./Max. Operating Temperature:** 34°F/110°F (1°C/43°C)



## Limited Warranty for Residential Applications (continued)

### Consumables

Periodic replacement of filter cartridges and certain filter media (such as carbon or calcite) is part of the normal maintenance required by your system. These replacements and media loss due to natural attrition are not covered. Additional operating parameters may apply and are listed in your system owner's manual and/or installation instructions. Your equipment must be installed and operated in accordance with Monument Water Systems recommendations and applicable state and local codes for the warranty to apply.

### Registration and Service

To place your system under this Limited Warranty, you or your Monument Water Systems representative must register your equipment with Monument Water Systems at [monumentwater.com](http://monumentwater.com) or by completing the warranty registration form and mailing it to Monument Water Systems, Warranty Registration, 10845 Kinsman Rd., P.O. Box 193, Newbury, OH 44065 within 30 days of the installation date. For service under this Warranty, contact your Monument Water Systems representative. Retain your receipt along with this Limited Warranty for reference if service is necessary.

### No Other Warranties

**THERE IS NO OTHER EXPRESS WARRANTY. IMPLIED WARRANTIES, INCLUDING ANY WARRANTY OF MERCHANTABILITY OR FITNESS FOR A PARTICULAR PURPOSE, ARE LIMITED TO THE DURATION OF THIS WRITTEN WARRANTY AND ARE EXCLUDED TO THE EXTENT PERMITTED BY LAW. THERE ARE NO OTHER WARRANTIES OTHER THAN THOSE CONTAINED HEREIN. IN NO EVENT SHALL MONUMENT WATER SYSTEMS BE LIABLE FOR INDIRECT, SPECIAL OR CONSEQUENTIAL DAMAGES IN CONNECTION WITH THE USE OR THE LOSS OF USE OF THIS SYSTEM.**

### How State Law Relates to the Limited Warranty

Some states do not allow limitations on how long an implied warranty lasts or the exclusion or limitation of incidental or consequential damage, so the above limitations or exclusions may not apply to you. This Limited Warranty gives you specific legal rights, and you may also have other rights which vary from state to state.

### Modification of the Limited Warranty

Monument Water Systems does not authorize any other person to assume for Monument Water Systems any other liability in connection with this product. No contractor has any authority to make any representations on behalf of Monument Water Systems or to modify the terms of Monument Water Systems warranty in any way.

## Register Your Product

Register your product within 30 days of installation for warranty coverage. For quickest registration, visit [monumentwater.com](http://monumentwater.com). Or, if you prefer, complete the following form and mail it to Monument Water Systems, Warranty Registration, 10845 Kinsman Rd., P.O. Box 193, Newbury, OH 44065.

Serial Number \_\_\_\_\_

First Name \_\_\_\_\_

Last Name \_\_\_\_\_

Street Address \_\_\_\_\_

Street Address 2 \_\_\_\_\_

City \_\_\_\_\_

Country \_\_\_\_\_

State/Province \_\_\_\_\_

Zip/Postal Code \_\_\_\_\_

Email \_\_\_\_\_

Company that installed your system \_\_\_\_\_

Water Type    **City**     **Well**     **Other** \_\_\_\_\_

Raw Water Quality \_\_\_\_\_

Hardness \_\_\_\_ gpg    TDS \_\_\_\_ ppm    Iron \_\_\_\_ ppm

I want to receive information about promotions and products.





## We're building a Monument for you!

Backed by more than 40 years in the water treatment industry, Monument Water Systems manufactures some of the most innovative technologies to help you take control of your water quality. Learn why plumbing professionals and consumers choose Monument Water Systems for clean, soft water and high quality drinking water. [www.monumentwater.com](http://www.monumentwater.com)

