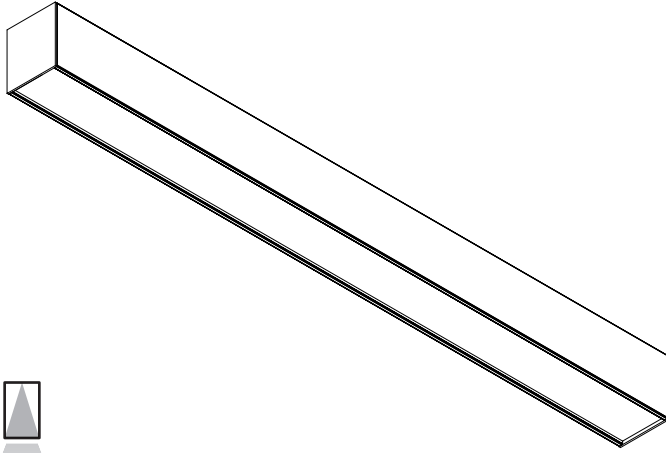


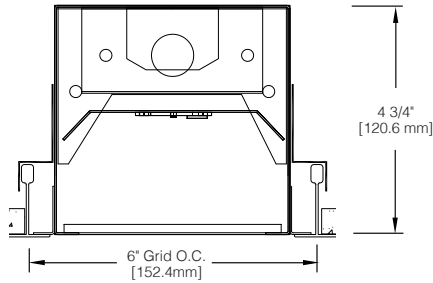


# PTP Series | PTPL-64-D TechZone™ LED Luminaire

|         |       |
|---------|-------|
| DATE    | NOTES |
| PROJECT |       |
| TYPE    |       |



Direct - For use in Armstrong Techzone Ceiling Systems.



**HOUSING:** Die-formed, 20-gauge, cold rolled steel housing. Joiner ends are notched for continuous appearance in row-mounted applications. Fixture housing is specially sized for use in Armstrong® TechZone™ ceiling systems.

**REFLECTOR:** Highly reflective die-formed steel finished in baked white enamel.

**SHIELDING:** Diffuse polycarbonate lens is standard. Acrylic lens and and/or steel cross baffle is also available.

**LEDS:** Mid-powered LED arrays in 30/35/40 & 50K CCT, 80+ CRI. L70 = 50,000 hours @ 25 C° ambient temperature.

**ELECTRICAL:** Class 2 driver, 120/277v input, PF > 90%, THD < 20 @ 120v. A variety of dimming, emergency battery back-up and sensor options are available. See below.

**MOUNTING:** Standard installation is in an exposed inverted Armstrong® TechZone™ T-bar Ceiling System. May also be installed in standard grid, mini-grid and slot grid ceilings. Fixtures are supplied with four support brackets for additional support to T-bar.

**FINISH:** Fixture housing and steel components are finished in baked white enamel applied over a five-stage pretreatment process.

**CERTIFICATION:** Luminaires are cETLus listed conforming to UL STD. 1598 and certified to CSA STD C22.2 NO. 250.0. Union Made in the United States of America. I.B.E.W.

## Ordering Guide (choose from the lists below and specify)

| MODEL       | STYLE | DISTRIBUTION | SHIELDING   | COLOR TEMP   | LUMENS  | SIZE   | MOUNTING                               | FINISH                         | VOLTAGE                               | OPTIONS*   |
|-------------|-------|--------------|---|--|---|--|--|--------------------------------|---------------------------------------|--|
| <b>PTPL</b> |       |              |   |  |   |  |  |                                |                                       |  |
| PTPL        | 64    | D = Direct   | DP = Diffuse Polycarbonate<br>LED optimized DP is standard. Consult factory for additional shielding options. | 30 = 3000K<br>35 = 3500K<br>40 = 4000K<br>50 = 5000K | LO = 500/ft<br>SO = 700/ft<br>Consult factory for additional lumen packages and High Efficiency Optics. | 2 = 2 ft<br>3 = 3 ft<br>4 = 4 ft<br>5 = 5 ft<br>6 = 6 ft<br>7 = 7 ft<br>8 = 8 ft<br><br>For other enter row length (e.g. 48 = 48 ft) | TZ = Armstrong TechZone Ceiling System | W = White<br>CC = Custom Color | U = 120/277<br>12 = 120V<br>27 = 277V | DIM10 = 0-10V Dimming<br>DIMST = Step Dimming<br>DIMHL = Dimming Lutron<br>DALI = DALI Dimming<br>DAY = Daylight Sensor<br>OCC = Occupancy Sensor<br>EPC = Emergency Pack<br>EMC = Emergency Circuit<br>TCW = Two Circuit Wiring<br>HEO = High Efficiency Optics |

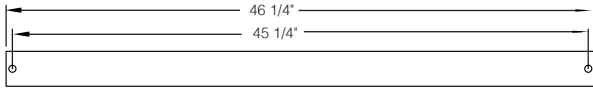
\*For the complete list of all available options please visit [www.dayolite.com](http://www.dayolite.com)

\*\*Consult factory for High Efficiency Optics options (HEO).

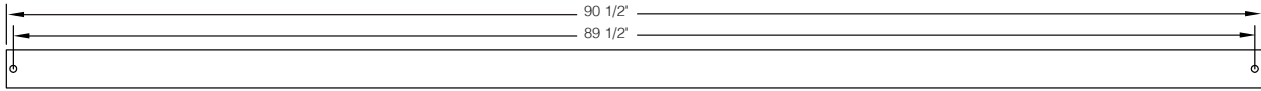
Day-O-Lite, a division of SCW Corporation. All rights reserved. The Day-O-Lite logo is a registered trademark of SCW Corporation. Day-O-Lite reserves the right to change specifications without notice for product improvement.



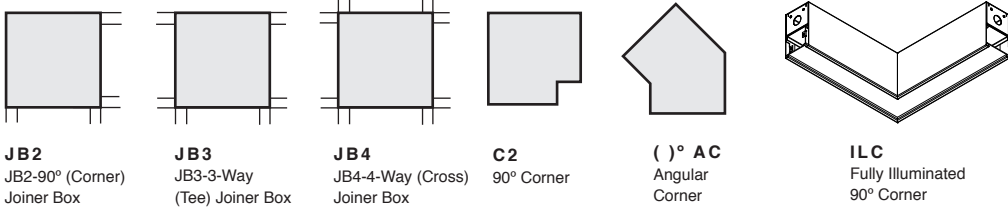
### Linear Sections and Suspension Location



Dimensions shown are for suspended, wall and surface mount configurations. Grid Ceiling lengths are 48" and 96" Grid O.C. unless otherwise specified.



#### JOINERS



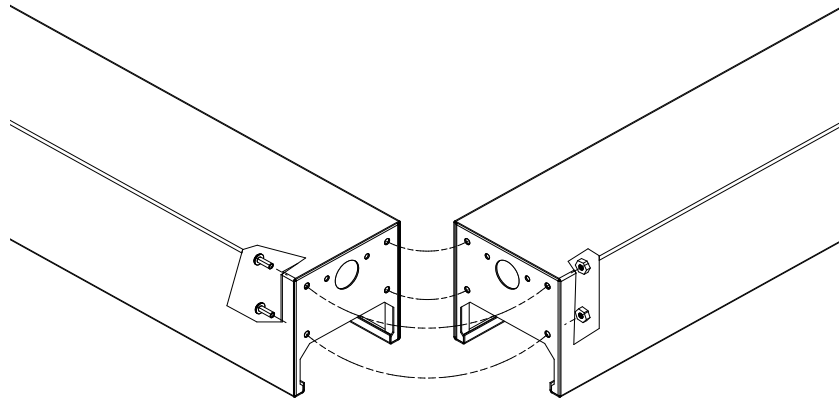
**CORNERS** Corners and fixture extensions are custom fabricated to precise dimensions. Please indicate the specific requirements on the layout.

For any angular corner, ( )° must be specified and dimensions must be included on the layout

For any pattern, a layout must accompany the order.

### Installation Preparation

Fixtures in continous rows are joined with supplied hardware as shown. Standard installation is in an exposed inverted Armstrong® TechZone™ T-bar Ceiling System. May also be installed in standard grid, mini-grid and slot-grid ceilings. Fixtures are supplied with four support brackets for additional support to T-bar.



### Photometry

#### COEFFICIENTS OF UTILIZATION—ZONAL CAVITY METHOD

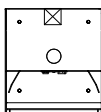
pfc = 0.20

|     |    |    |    |    |    |    |    |    |    |    |    |   |
|-----|----|----|----|----|----|----|----|----|----|----|----|---|
| pcc | .8 |    | .7 |    | .5 |    | .3 |    | .1 |    | 0  |   |
| pw  | .7 | .5 | .3 | .1 | .7 | .5 | .3 | .1 | .5 | .3 | .1 | 0 |

#### RCR

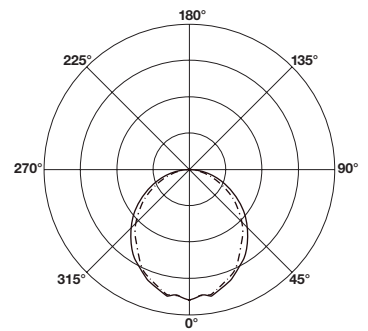
|    |    |    |    |    |    |    |    |    |    |    |    |    |    |    |    |    |    |    |
|----|----|----|----|----|----|----|----|----|----|----|----|----|----|----|----|----|----|----|
| 0  | 77 | 77 | 77 | 77 | 75 | 75 | 75 | 75 | 72 | 72 | 72 | 69 | 69 | 69 | 66 | 66 | 66 | 64 |
| 1  | 70 | 67 | 65 | 61 | 69 | 66 | 63 | 60 | 63 | 61 | 58 | 61 | 59 | 57 | 55 | 55 | 55 | 54 |
| 2  | 64 | 59 | 55 | 49 | 62 | 58 | 54 | 49 | 55 | 52 | 48 | 53 | 51 | 47 | 46 | 46 | 46 | 46 |
| 3  | 59 | 52 | 47 | 41 | 57 | 51 | 46 | 41 | 49 | 45 | 40 | 47 | 44 | 39 | 39 | 39 | 39 | 39 |
| 4  | 54 | 46 | 40 | 34 | 52 | 45 | 40 | 34 | 44 | 39 | 34 | 42 | 38 | 34 | 33 | 33 | 33 | 33 |
| 5  | 49 | 41 | 36 | 30 | 48 | 41 | 35 | 29 | 39 | 34 | 29 | 38 | 34 | 29 | 29 | 29 | 29 | 29 |
| 6  | 46 | 37 | 31 | 26 | 44 | 37 | 31 | 26 | 35 | 31 | 26 | 34 | 30 | 25 | 25 | 25 | 25 | 25 |
| 7  | 42 | 34 | 28 | 23 | 41 | 33 | 28 | 23 | 32 | 27 | 23 | 31 | 27 | 22 | 22 | 22 | 22 | 22 |
| 8  | 39 | 31 | 25 | 20 | 38 | 30 | 25 | 20 | 30 | 25 | 20 | 29 | 24 | 20 | 20 | 20 | 20 | 20 |
| 9  | 37 | 28 | 23 | 18 | 36 | 28 | 23 | 18 | 27 | 23 | 18 | 27 | 22 | 18 | 18 | 18 | 18 | 18 |
| 10 | 35 | 26 | 21 | 16 | 34 | 26 | 21 | 16 | 25 | 21 | 16 | 25 | 20 | 16 | 16 | 16 | 16 | 16 |

PTPL-64-D-DP-40-SO-4-TZ



#### CANDELA DISTRIBUTION

| Vert. Angle | 0    | 22.5 | 45   | 67.5 | 90   |
|-------------|------|------|------|------|------|
| 0           | 1103 | 1103 | 1103 | 1103 | 1103 |
| 5           | 1073 | 1095 | 1072 | 1085 | 1076 |
| 10          | 1077 | 1059 | 1059 | 1061 | 1068 |
| 15          | 1042 | 1034 | 1019 | 1023 | 1023 |
| 20          | 1003 | 987  | 988  | 973  | 976  |
| 25          | 939  | 935  | 933  | 918  | 930  |
| 30          | 896  | 879  | 870  | 847  | 846  |
| 35          | 841  | 816  | 802  | 782  | 767  |
| 40          | 768  | 762  | 738  | 709  | 714  |
| 45          | 699  | 681  | 662  | 645  | 638  |
| 50          | 620  | 607  | 586  | 561  | 548  |
| 55          | 532  | 524  | 504  | 475  | 473  |
| 60          | 450  | 439  | 416  | 388  | 381  |
| 65          | 360  | 349  | 328  | 307  | 296  |
| 70          | 270  | 262  | 244  | 228  | 217  |
| 75          | 183  | 175  | 161  | 150  | 145  |
| 80          | 107  | 103  | 93   | 85   | 85   |
| 85          | 45   | 45   | 42   | 41   | 40   |
| 90          | 15   | 12   | 12   | 10   | 10   |



0  
90

4000K  
WATTS: 38  
LUMENS: 2831  
LPW = 75

Optical Distribution:  
100% Direct