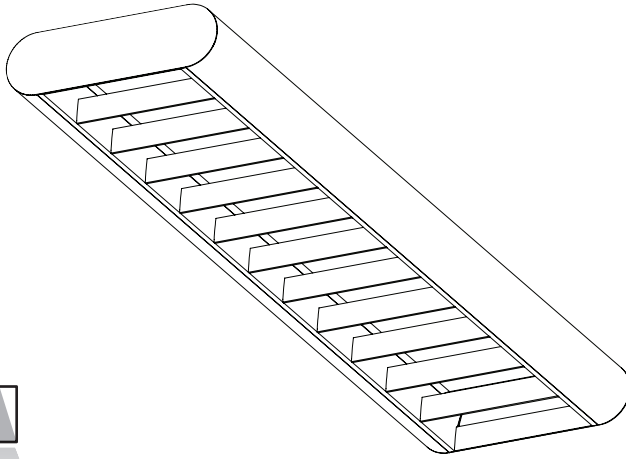


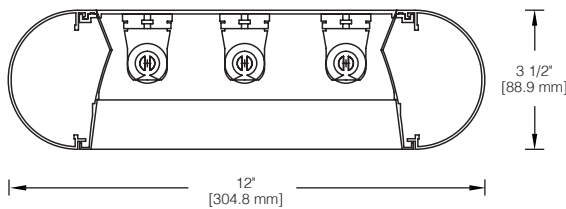


Oval | AD-3512-D Fluorescent Luminaire

DATE	NOTES
PROJECT	
TYPE	



Direct



HOUSING: Two-piece, heavy gauge extruded aluminum alloy welded construction forming a 3 1/2" x 12" oval profile. Finished end caps are welded to housing with no exposed hardware or knockouts.

REFLECTOR: Die-formed, cold rolled steel finished in high gloss baked white enamel.

SHIELDING: Parabolic louver is semi-specular low iridescence aluminum 1 1/4" x 2.4" O.C. with 20 cells per 4" section. Four spring wire clips secure snap in baffle including two tethers.

ELECTRICAL: Ballast is electronic, low profile, universal voltage 120/277, high power factor, thermally protected, sound rated A with less than 10% total harmonic distortion. Luminaires in rows are prewired with quick connect through wiring. Integrated locking disconnects are standard. The minimum number of ballasts will be used unless otherwise specified. Please consult factory for lamp/ballast availability.

MOUNTING: Standard installation is an adjustable self-locking aircraft assembly 48" x 3/32" in diameter with 5" canopy. One 16/4 SJT straight 54" cord is supplied with each power feed. Standard pendants are available in 24" lengths.

FINISH: Fixture housing and steel components are finished in baked white enamel applied over a five-stage pretreatment process.

LAMPS: Fixtures are provided for use with two, three or four T5, T5HO or T8 lamps (supplied by others).

CERTIFICATION: Luminaires are cULus listed and Union Made in the United States of America. I.B.E.W.

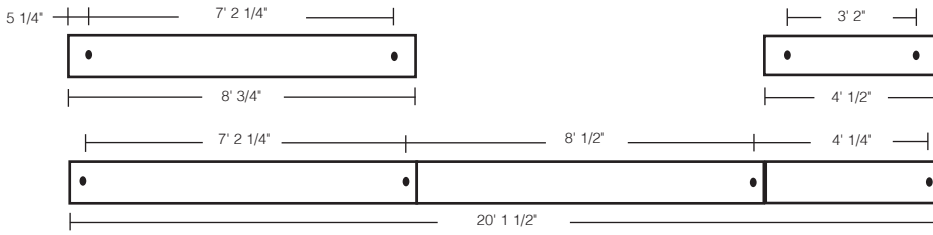
Ordering Guide (choose from the lists below and specify)

MODEL	DIRECTION	SHIELDING	NUMBER OF LAMPS	LAMPS DOWN	MOUNTING	ROW LENGTH	FINISH	VOLTAGE	OPTIONS*
AD-3512									
AD-3512	D = Direct	PBL = Parabolic Louver SCB = Steel Cross Baffle PRS = Prismatic Acrylic WOA = White Opal Acrylic	2 3 4	T5 T5HO T8	AC = Cable PD = Pendant	4 = 4 ft 8 = 8 ft For other, please enter row length (e.g. 48 = 48 ft)	W = White CC = Custom Color	UNV = 120/277	DIM10 = 0-10V Dimming DIMLV = Dimming Line Voltage DIMST = Step Dimming DIMHL = Dimming Lutron PRGS = Program Rapid Start S O C = Sensor Options E P C = Emergency Pack E M C = Emergency Circuit T C W = Two Circuit Wiring

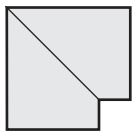
*For the complete list of all available options please visit www.dayolite.com



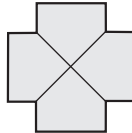
Linear Sections and Suspension Location



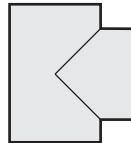
CORNERS Corners and fixture extensions are custom fabricated to precise dimensions. Please indicate the specific requirements on the layout.



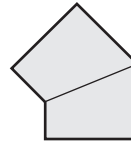
C2
90° Corner



C4
4-Way Corner
(Cross)



C3
3-Way
Corner
(Tee)



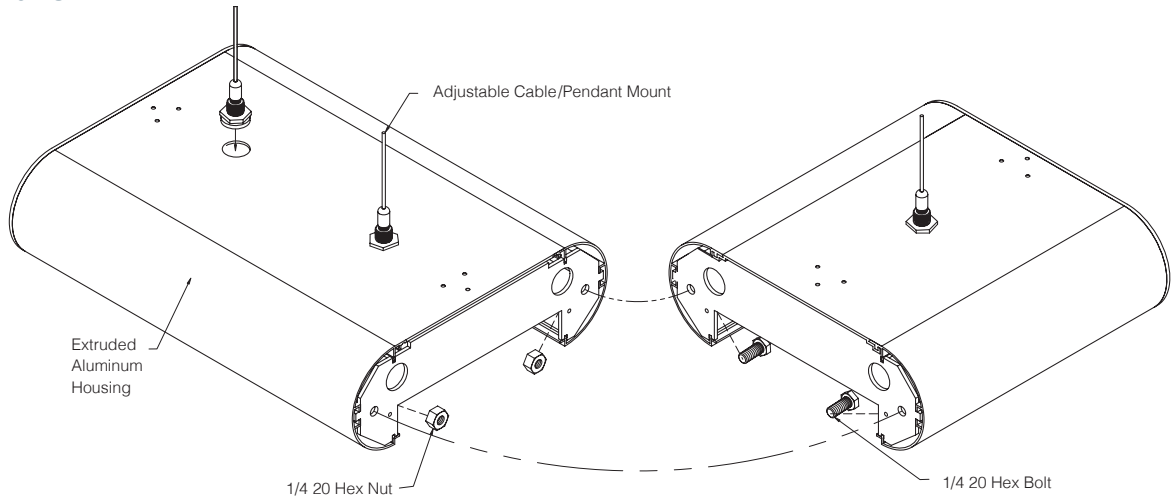
()° AC
Angular
Corner

For any angular corner, ()° must be specified and dimensions must be included on the layout

For any pattern, a layout must accompany the order.

Installation Preparation

Fixtures in rows are joined with included hardware as shown. Standard installation is an adjustable self-locking aircraft assembly 48" x 3/32" in diameter with 5" canopy. One 16/4 SJT straight 54" cord is supplied with each power feed. Standard pendants are available in 24" lengths.



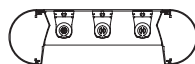
Photometry

COEFFICIENTS OF UTILIZATION-ZONAL CAVITY METHOD

pfc = 0.20

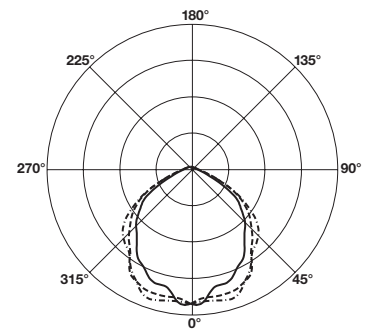
pcc	.8				.7				.5				.3				.1				0
pw	.7	.5	.3	.1	.7	.5	.3	.1	.5	.3	.1	.5	.3	.1	.5	.3	.1	.5	.3	.1	0
RCR																					
0	82	82	82	82	80	80	80	80	77	77	77	73	73	73	70	70	70	69			
1	76	74	71	68	75	72	70	67	69	67	65	67	65	63	61	61	61	60			
2	70	65	61	56	68	64	60	55	61	58	54	59	57	53	52	52	52	52			
3	64	58	53	47	63	57	52	46	55	51	46	53	49	45	45	45	45	44			
4	59	51	46	40	57	50	45	39	49	44	39	47	43	39	38	38	38	38			
5	54	46	40	34	53	45	40	34	44	39	34	42	38	33	33	33	33	33			
6	50	41	35	30	49	41	35	29	39	35	29	38	34	29	29	29	29	29			
7	46	37	32	26	45	37	31	26	36	31	26	35	30	26	26	26	26	26			
8	43	34	28	23	42	34	28	23	33	28	23	32	27	23	23	23	23	23			
9	40	31	26	21	39	31	26	21	30	25	20	29	25	20	20	20	20	20			
10	38	29	23	19	37	28	23	18	28	23	18	27	23	18	18	18	18	18			

AD-3512-D-PBL-3T8
Total Luminaire Optical
Efficiency = 69.0%



CANDELA DISTRIBUTION

Vert. Angle	0	22.5	45	67.5	90
0	2166	2166	2166	2166	2166
5	2156	2183	2187	2147	2214
10	2161	2157	2188	2198	2221
15	2147	2120	2174	2204	2223
20	2011	2069	2165	2240	2253
25	1952	2001	2086	2166	2184
30	1838	1934	2036	2082	2123
35	1716	1844	1917	1974	2023
40	1602	1721	1800	1853	1880
45	1452	1581	1637	1698	1743
50	1277	1403	1471	1583	1662
55	1054	1201	1276	1407	1471
60	710	850	1004	1084	1096
65	245	372	613	709	733
70	45	82	237	339	340
75	19	27	61	88	65
80	9	13	24	20	10
85	3	4	9	7	3
90	0	0	1	1	0



— 0
- - - 45
- · - · - 90
Lamp (3) 32w T8
Lumens: 2900 Per Lamp

Optical Distribution:
100% Direct