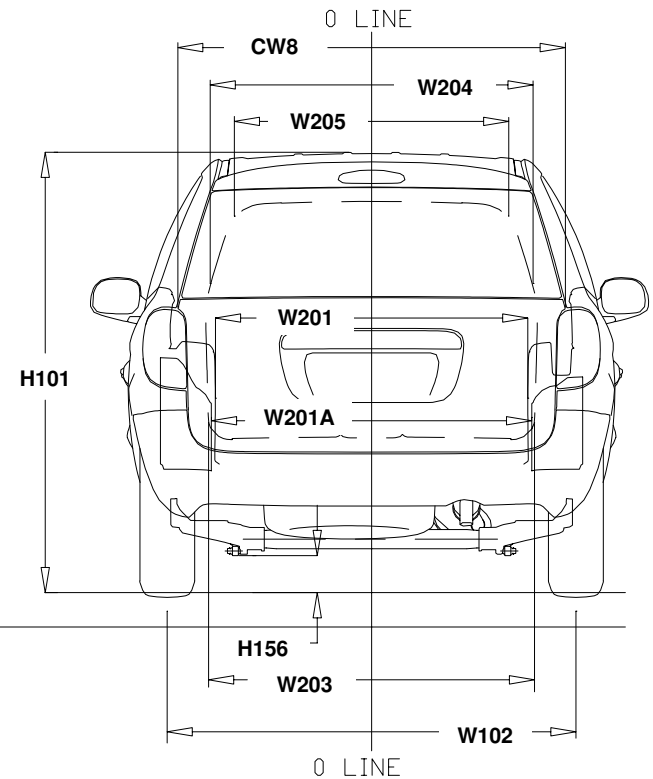
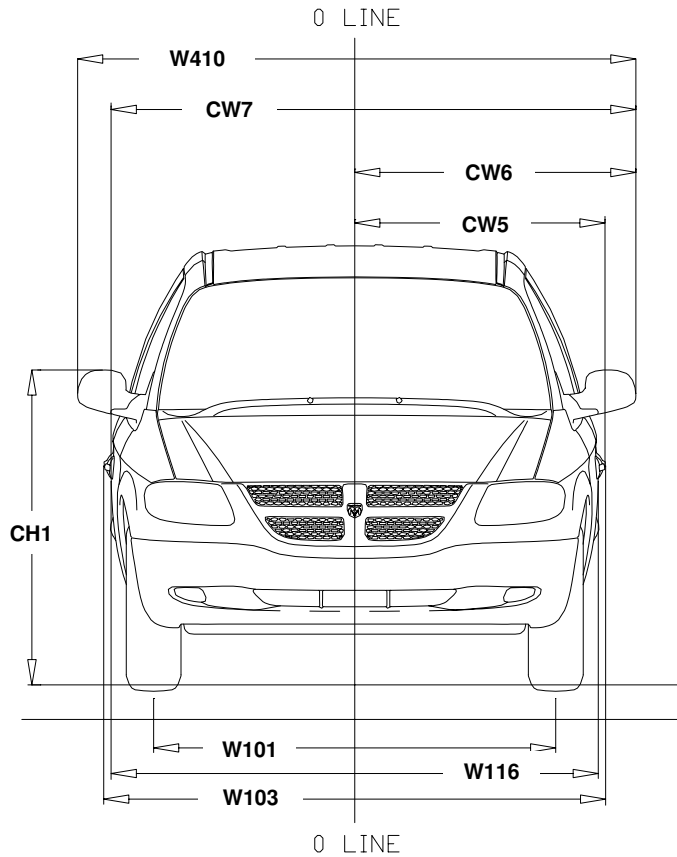


CARGO VAN 113.3"WB

POSITION THE MOUSE OVER THE CODE FOR INSTANT DIMENSION



 **PLAN & SIDE VIEW**

 **CHARTS**

 [Site Map](#)

 [Main Menu](#)

 [Caravan/Grand Home](#)

PRINT

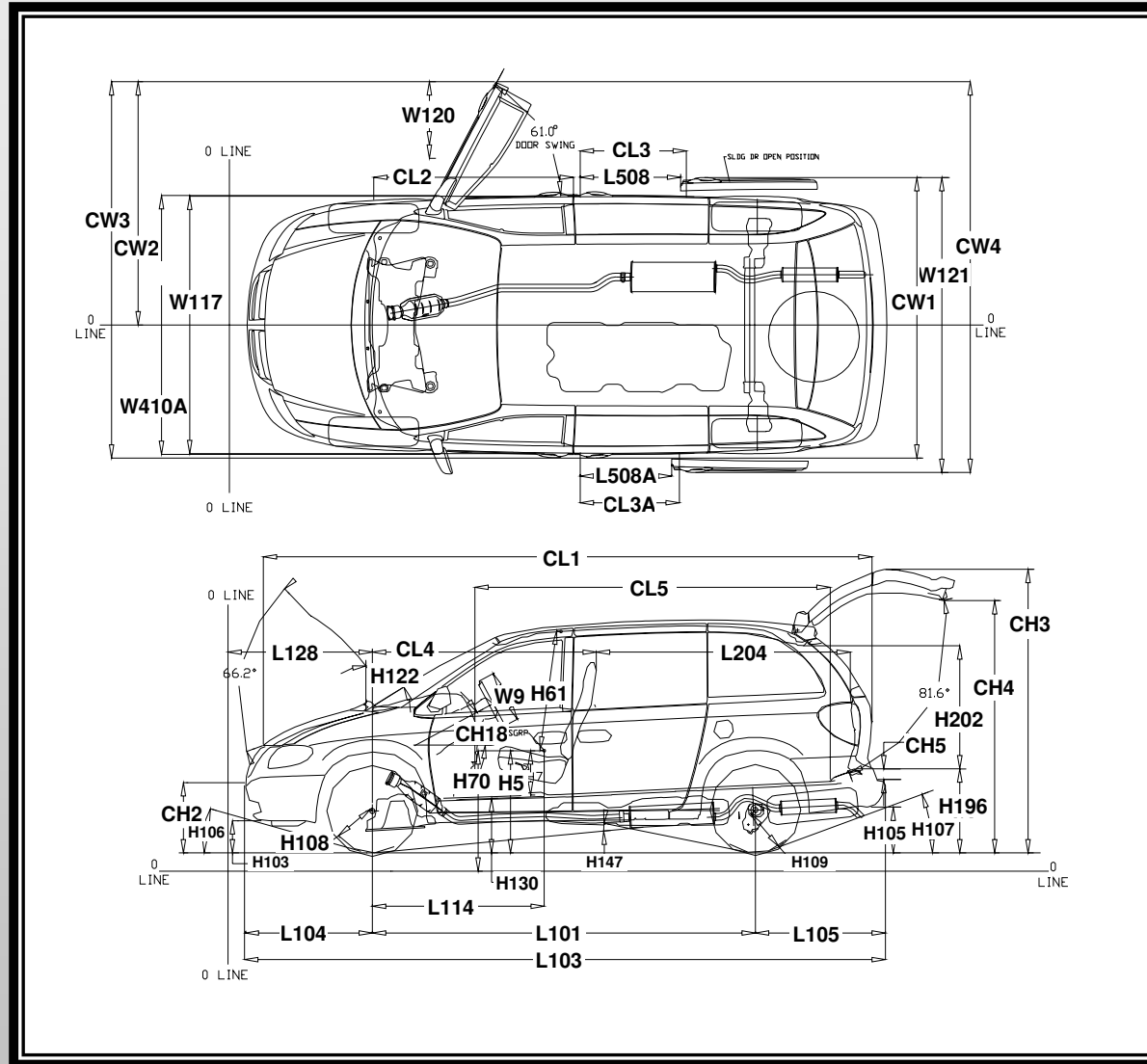
 ALL

 IN

 OUT

CARGO VAN 113.3"WB

POSITION THE MOUSE OVER THE CODE FOR INSTANT DIMENSION



FRONT & REAR VIEW



CHARTS

[Site Map](#)

[Main Menu](#)

[Caravan/Grand Home](#)

[PRINT](#)



CARGO VAN 113.3"WB

Code	Description	IN	MM	Code	Description	IN	MM
L101	Wheelbase	113.3	2877.8	L31	SgRP - Front X-Coordinate	93.5	2376.0
L103	Vehicle Length	189.5	4814.0	L114	Front Wheel Centerline to Front SgRP	50.9	1291.6
L104	Overhang Front	37.8	959.7	L204	Cargo Length at Belt - Front	75.1	1907.0
L105	Overhang Rear	38.4	976.5	CL4	Front Wheel Centerline to Back of Front Seat	66.2	1682.7
L127	Rear Wheel Centerline at "X" Coordinate	156.0	3962.2	CL5	Cargo Length at Floor Centerstack to Liftgate	105.1	2669.3
L128	Front Wheel Centerline at "X" Coordinate	42.7	1084.4	H5	SgRP - Front to Ground	30.2	766.0
L508	Side Cargo Door Opening Length (Right Side)	29.7	754.9	H61	Effective Headroom - Front	39.6	1004.7
L508A	Side Cargo Door Opening Length (Left Side)	27.1	687.4	H70	SgRP - Front Z-Coordinate	35.6	903.0
CL1	Overall upper Body Length	180.0	4572.2	H130	Step Height - Front (Curb Weight)	16.1	410.1
CL2	Front Wheel Centerline to Door Edge	59.1	1499.9	CH6	SgRP - Front to Floor	13.1	332.3
CL3	Minimum Sliding Door Opening (Right Side)	31.4	797.5	CH18	Steering Wheel Angle	28.0	
CL3A	Minimum Sliding Door Opening (Left Side)	29.3	744.7	W9	Steering Wheel Maximum Outside Diameter	15.3	387.4
H122	Windshield Slope Angle	58.0		W201	Cargo Width - Wheelhouse (Trim)	48.9	1242.8
H196	Liftover Height - Curb Weight	24.8	629.8	W201A	Cargo Width - Wheelhouse (Sheetmetal)	50.1	1273.5
H202	Minimum Rear Cargo Opening (at centerline) W/Trim	36.3	923.1	H101	Vehicle Height	68.8	1748.2
H202	Minimum Rear Cargo Opening (at centerline) W/O Trim	37.4	949.3	H103	Front Bumper to Ground - Curb Weight	9.5	241.3
CH3	Vehicle Height W/Liftgate in open Position	83.7	2127.2	H105	Rear Bumper to Ground - Curb Weight	13.5	343.6
CH4	Minimum L/Gate Height - Open W/Trim	74.5	1892.3	H106	Angle of Approach	15.7	
CH4A	Minimum L/Gate Height - Open W/O Trim	74.8	1898.9	H107	Angle of Departure	20.1	
CH5	Liftgate Scuff Trim to Bumper	3.1	79.2	H108	Static Load - Tire Radius - Front	314.3	
W101	Track - Front	63.0	1600.0	H109	Static Load - Tire Radius - Rear	322.0	
W102	Track - Rear	64.0	1626.0	H147	Ramp Breakover Angle	16.8	
W103	Vehicle Width	78.6	1997.3	H156	Minimum Running Ground Clearance (RR Axle)	5.8	146.8
W116	Body Width - Maximum	76.3	1938.2	CH1	Outside Mirror to Ground	49.2	1250.4
W117	Body Width At SgRP - Front	76.0	1931.1	CH2	Front Bumper (Top) to Ground	20.7	526.7
W120	Vehicle Width - Front Doors Open	143.7	3649.7				
W121	Vehicle Width - Rear Sliding Doors Open	87.1	2212.3				
W203	Rear Opening Width at Floor W/Trim	51.1	1297.0				
W203A	Rear Opening Width at Floor W/O Trim	51.9	1319.0				
W204	Rear Opening Width at Belt W/Trim	50.6	1284.7				
W204A	Rear Opening Width at Belt W/O Trim	51.5	1308.9				
W205	Rear Opening Width Above Belt W/Trim	43.0	1092.3				
W205A	Rear Opening Width Above Belt W/O Trim	45.6	1157.3				
W410	Vehicle Width - Including Outside Mirrors	87.4	2220.9				
W410A	Vehicle Width - Outside Mirrors in Foldback Position	76.5	1942.0				
CW1	Vehicle Width - Sldg Dr Handle to RR Dr Open	82.9	2104.6				
CW2	Vehicle Width - Centerline to Front Dr Open	71.8	1824.9				
CW3	Vehicle Width - Sldg Dr Handle to Front Dr Open	111.2	2823.5				
CW4	Vehicle Width - Sldg Dr Handle Open to Front Dr Open	115.4	2931.2				
CW5	Vehicle Width - Centerline to Driver Door Handle	39.2	995.7				
CW6	Vehicle Width - Centerline to Driver Outside Mirror	44.0	1118.6				
CW7	Vehicle Width - Body to Driver Outside Mirror	82.2	2087.7				
CW8	Liftgate Width	60.7	1541.7				



FRONT & REAR VIEW



PLAN & SIDE VIEW

[Site Map](#)

[Main Menu](#)

[Caravan/Grand Home](#)

PRINT

ALL

IN

OUT