

**PROJECT NAME:** \_\_\_\_\_

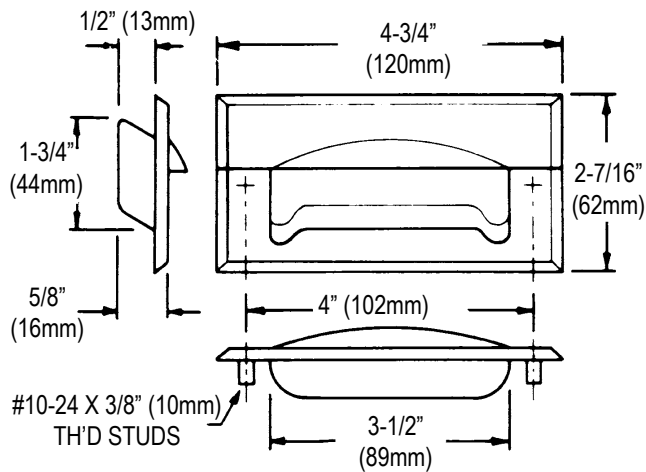
**LOCATION:** \_\_\_\_\_

**SPECIFIER ITEM NO.** \_\_\_\_\_ **QTY:** \_\_\_\_\_

**COMPONENT HARDWARE PART NO.** \_\_\_\_\_

Component Hardware® Stainless Steel  
Drawer Pull

**P63-1012**



Dimensions shown in inches (mm) are for reference only  
and are subject to change.

Shipping weight - .5 lbs

Stainless steel drawer pull

**Aesthetic Design**

- Frame beveled edge
- Full grip type
- Retaining locknuts provided