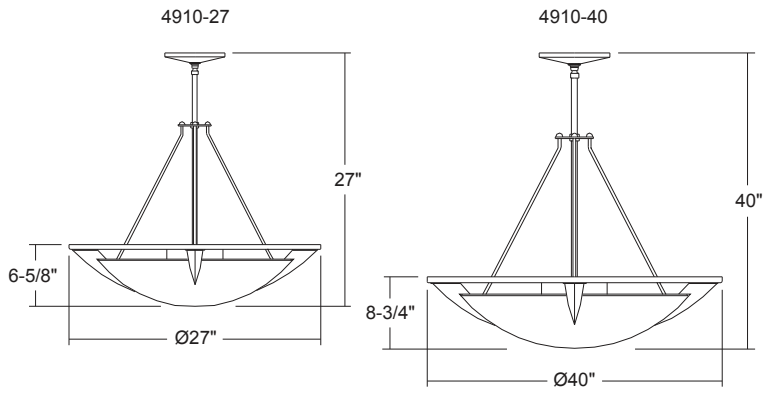


SPECIFICATIONS	Interior	FORMATIONS
	<h1 style="margin: 0;">4910</h1> <p style="margin: 0;">ETRUSCAN</p>	Type:  Project:  Qty:



**Warranty**  
1-year limited warranty. Complete warranty terms located at [www.acuitybrands.com/CustomerResources/Terms\\_and\\_conditions.aspx](http://www.acuitybrands.com/CustomerResources/Terms_and_conditions.aspx)

Actual performance may differ as a result of end-user environment and application.

**CATALOG NUMBER**

Example: **WFP4910 27DIA 4/26DTT 120 OAE PB1**

Series	Diameter	Source	Voltage	Lens	Finish
<b>WFP4910</b> Etruscan Formations Series	<b>27DIA</b> 27 Inch Nominal Diameter	<b>4/26DTT</b> (4) 26w Quad Tube/G24q3	<b>120</b> 120V	<b>OAE</b> Opal Acrylic Etched	<b>PB1</b> Polished Brass w/ Light Bronze Painted Accents <b>PC1</b> Polished Chrome w/ Light Gold Iridescent Painted Accents <b>CPF*</b> Custom Paint Finish <b>CMF*</b> Custom Metal Finish
	<b>40DIA</b> 40 Inch Nominal Diameter	<b>4/60A19</b> (4) 60w A19/Medium	<b>277</b> 277V	<b>FAH4</b> White Vein Hand Painted Faux Alabaster	
		<b>6/26DTT</b> (6) 26w Quad Tube/G24q3	<b>347*</b> 347V	<b>FAH5</b> Antique Hand Painted Faux Alabaster (Beige)	
		<b>8/60A19</b> (8) 60w A19/Medium		<b>FAH6</b> Gray Vein Hand Painted Faux Alabaster <b>FAH7</b> Beige Vein Hand Painted Faux Alabaster	

Special	Describe Modification:	Notes	Weight
<b>MOD*</b> Modification / Consult Factory		<ul style="list-style-type: none"> <li>UL listed and cUL approved.</li> <li>Winona Lighting products are union made.</li> <li>Custom Sizes and Finishes available upon request.</li> <li>All Fluorescent fixtures available in 120V and 277V.</li> <li>Winona Lighting reserves the right to make design changes without prior notice.</li> <li>Lamps not included.</li> </ul> <p>*Available by modification only. Consult factory.</p>	WFP4910 27DIA 17lbs WFP4910 40DIA 23lbs