

SPECIFICATIONS Interior **CYLINDERS**

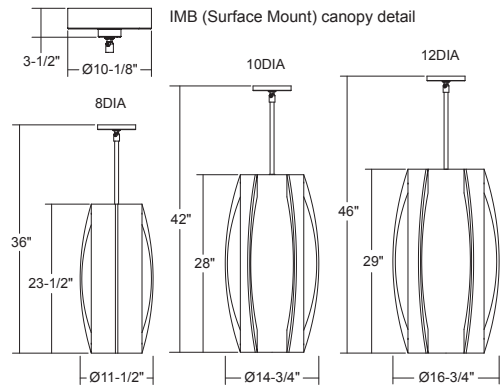


5430
FINN

Type:

Project:

Qty:



Warranty
1-year limited warranty. Complete warranty terms located at www.acuitybrands.com/CustomerResources/Terms_and_conditions.aspx

Actual performance may differ as a result of end-user environment and application.

CATALOG NUMBER

Example: **WFP5430 10DIA 4F40/1M70P 120 IMB OAE PB**

Series	Diameter	Source	Voltage	Dimming
WFP5430 Finn Cylinders Series	8DIA 8 Inch Nominal Diameter	2/39TT (2) 39w Twin Tube/2G11 2F39/1H75P (2) 39w Twin Tube/2G11 & (1) 75w Par38 Halogen Downlight/Medium 2F39/1M70P (2) 39w Twin Tube/2G11 & (1) 70w Par38 Metal Halide Downlight/Medium	120 120V 277 277V 347* 347V	DIM Advance Mark 10 5% Dimming Ballast Available with 4/40TT source only
	10DIA 10 Inch Nominal Diameter	4/40TT (4) 40w Twin Tube/2G11		
	12DIA 12 Inch Nominal Diameter	4F40/1H100P (4) 40w Twin Tube/2G11 & (1) 100w Par38 Halogen Downlight/Medium 4F40/1M100P (4) 40w Twin Tube/2G11 & (1) 100w Par38 Metal Halide Downlight/Medium 4F40/1H75P (4) 40w Twin Tube/2G11 & (1) 75w Par38 Halogen Downlight/Medium 4F40/1M70P (4) 40w Twin Tube/2G11 & (1) 70w Par38 Metal Halide Downlight/Medium 4F40/1H250P (4) 40w Twin Tube/2G11 & (1) 250w Par38 Halogen Downlight/Medium		

Power Source Location	Lens	Finish	Special
IMB Integral Electronic Ballast RMB Remote Mount Ballast Applicable to Metal Halide downlight source only	OAE Opal Acrylic Etched FAH4 White Vein Hand Painted Faux Alabaster FAH5 Antique Hand Painted Faux Alabaster (Beige) FAH6 Gray Vein Hand Painted Faux Alabaster FAH7 Beige Vein Hand Painted Faux Alabaster	PB Polished Brass PN Polished Nickel CPF* Custom Paint Finish CMF* Custom Metal Finish	MOD* Modification / Consult Factory

Describe Modification:

[Redacted area for modification description]

Notes

- UL listed and cUL approved.
- Winona Lighting products are union made.
- Custom Sizes and Finishes available upon request.
- All Fluorescent fixtures available in 120V and 277V.
- Winona Lighting reserves the right to make design changes without prior notice.
- Lamps not included.
- *Available by modification only. Consult factory.

Weight

2/39TT-WFP5430-8DIA	15lbs
2F39/1H75PWFP5430-8DIA	17lbs
2F39/1M70P-WFP5430-8DIA	22lbs
4/40TT-WFP5430-10DIA	22lbs
4F40/1H100P-WFP5430-10DIA	25lbs
4F40/1M100P-WFP5430-10DIA	32lbs
4F40/1H75P-WFP5430-12DIA	32lbs
4F40/1M70P-WFP5430-12DIA	35lbs
4F40/1H250P-WFP5430-12DIA	45lbs