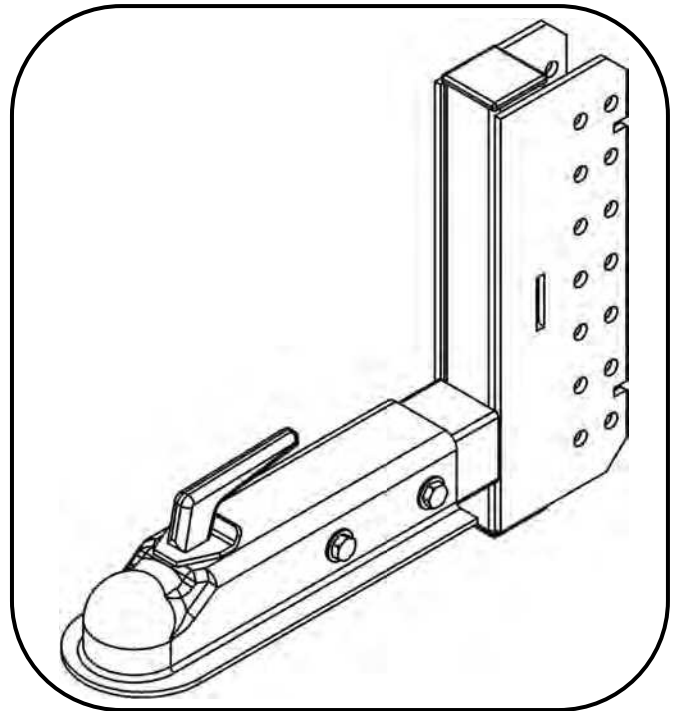


swisherinc.com

OWNER'S MANUAL

18915 Hitch Coupler Kit

Starting Serial #: L314-335001



Fits 44" Rough Cut Models Serial # L112-332001 and Newer.

Fits 44" Finish Cut Models Serial # L113-008001 and Newer.

SWISHER[®]

CHANGING YOUR LANDSCAPE SINCE 1945

SWISHER
1602 CORPORATE DRIVE, WARRENSBURG, MISSOURI 64093
PHONE 660-747-8183 FAX 660-747-8650

Made In The
USA

LIMITED WARRANTY

The manufacturer's warranty to the original consumer purchaser is: This product is free from defects in materials and workmanship for a period of one (1) year from the date of purchase by the original consumer purchaser. We will repair or replace, at our discretion, parts found to be defective due to materials or workmanship. This warranty is subject to the following limitations and exclusions:

- 1) Commercial Use This product is not intended for commercial use and carries no commercial warranty.
- 2) Limitation This warranty applies only to products which have been properly assembled, adjusted, and operated in accordance with the instructions contained within this manual. This warranty does not apply to any product of Swisher that has been subject to alteration, misuse, abuse, improper assembly or installation, shipping damage, or to normal wear of product.
- 3) Exclusions Excluded from this warranty are normal wear, normal adjustments, and normal maintenance.

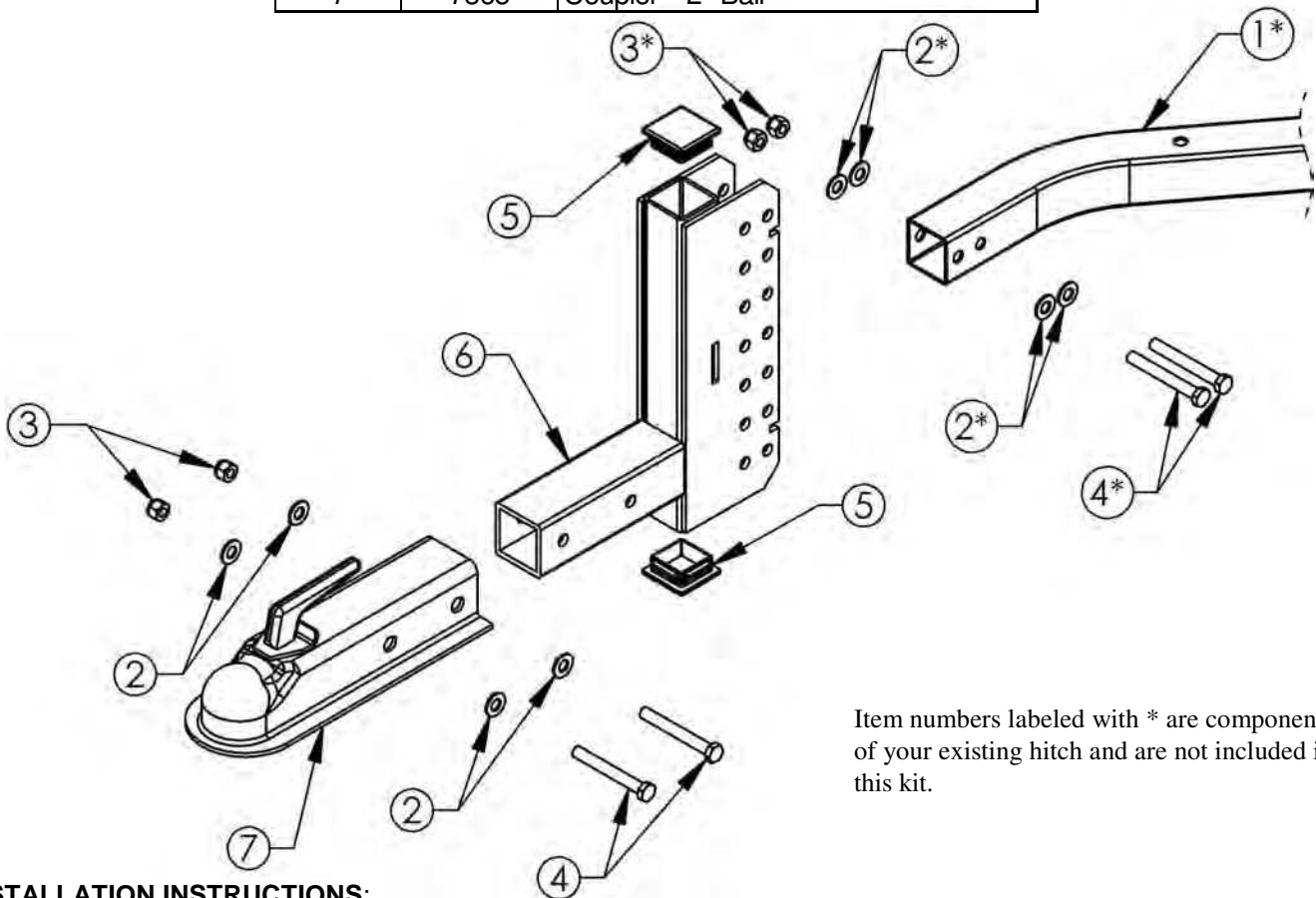
In the event you have a claim under this warranty, you must return the product to an authorized service dealer. All transportation charges, damage, or loss incurred during transportation of parts submitted for replacement or repair under this warranty shall be borne by the purchaser. Should you have any questions concerning this warranty, please contact us toll-free at 1-800-222-8183. The model number, serial number, date of purchase, and the name of the authorized Swisher dealer from whom you purchased the product will be needed before any warranty claim can be processed.

THIS WARRANTY DOES NOT APPLY TO ANY INCIDENTAL OR CONSEQUENTIAL DAMAGES AND ANY IMPLIED WARRANTIES ARE LIMITED TO THE SAME TIME PERIODS STATED HEREIN FOR ALL EXPRESSED WARRANTIES. Some states do not allow the limitation of consequential damages or limitations on how long an implied warranty may last, so the above limitations or exclusions may not apply to you. This warranty gives you specific legal rights and you may have other rights, which vary from state-to-state. This is a limited warranty as defined by the Magnuson-Moss Act of 1975.

Parts List

Before assembling your hitch coupler please check the table and diagram below to familiarize yourself with the parts and to make sure no parts are missing.

Item #	Part #	Description
1	18833**	Tube - Hitch Elbow
2	NB272	Washer - SAE Flat 3/8
3	NB182	Nut - Nyloc 3/8-16
4	NB150	Bolt - 3/8-16 X 3
5	18834	Plug - 1.75 X 10-14GA Sq Tube
6	18912**	Weldment - Hitch Coupler Accessory
7	7365	Coupler - 2" Ball



Item numbers labeled with * are components of your existing hitch and are not included in this kit.

INSTALLATION INSTRUCTIONS:

- First, remove previous L-hitch 18829 from your existing hitch assembly. It is held in place with (2) NB150 bolts, (4) NB272 washers and (2) NB182 nuts. Loosen the NB182 nuts and remove the L-hitch.
- Next, assemble the 18912 hitch coupler weldment tube using the (2) NB150 bolts, (4) NB272 washers, and (2) NB182 nyloc nuts, tightening securely.
- Then, assemble the 7365 2" ball coupler using (2) NB150 bolts, (4) NB272 washers and (2) NB182 nuts, tightening securely.
- Finally, insert the (2) H1P tube plugs into the 18911 hitch coupler weldment tube.

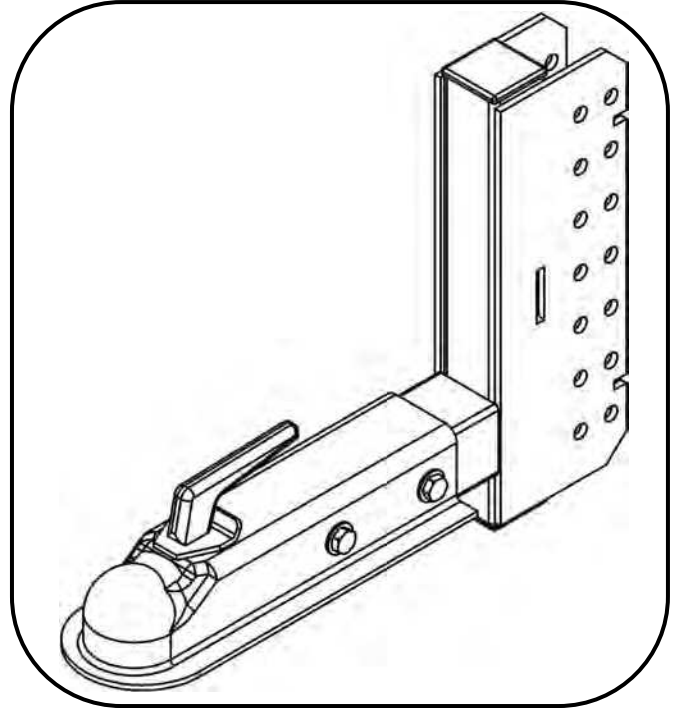
Use paint codes when ordering replacement parts labeled with **.
GT=Grey TC=Red TK=Black



swisherinc.com

**OWNER'S
MANUAL**

**18915
Hitch Coupler Kit**



WHEN ORDERING PARTS, PLEASE HAVE THE
FOLLOWING INFORMATION AVAILABLE:

- * PRODUCT - _____
- * SERIAL NUMBER - _____
- * MODEL NUMBER - _____
TYPE - _____
- * PART NUMBER WITH PAINT CODE
* PART DESCRIPTION

TELEPHONE - 1-800-222-8183
FAX - 1-660-747-8650

SWISHER
1602 CORPORATE DRIVE
WARRENSBURG, MO 64093

swisherinc.com

SWISHER
1602 CORPORATE DRIVE, WARRENSBURG, MISSOURI 64093
PHONE 660-747-8183 FAX 660-747-8650

Made In The
USA