

Job or Customer :	
Location :	
Engineer :	
<input type="checkbox"/> Complies with Spec <input type="checkbox"/> Alternate	Notes :
Contractor :	
HeatLink Rep :	
Submitted By :	Date :
Approved By :	Date :
P.O. Number :	Date :

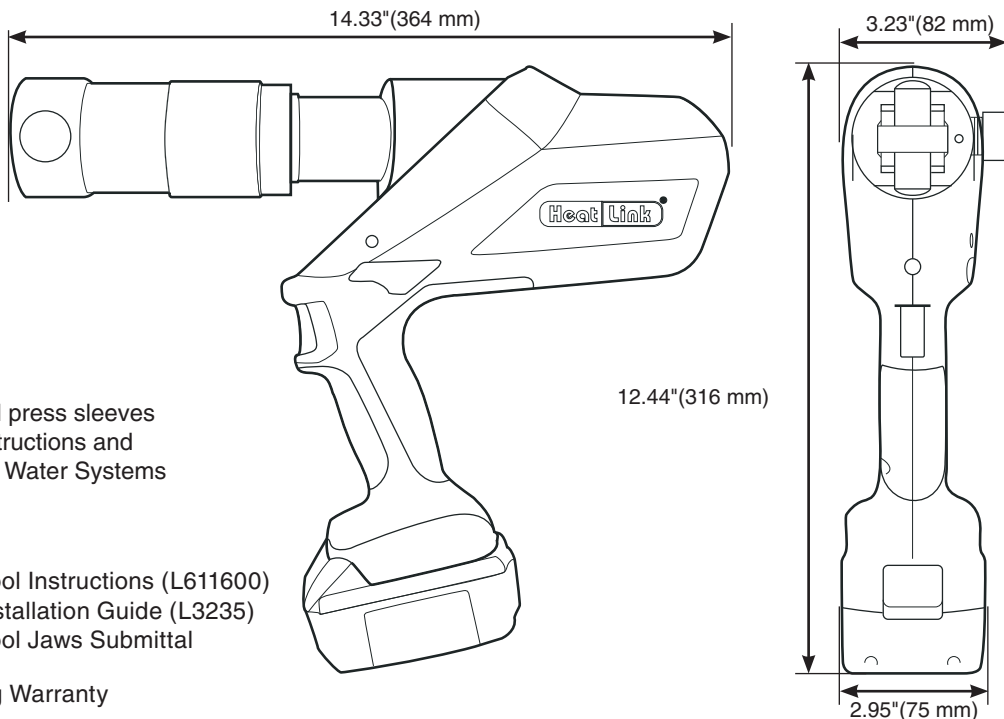
### Description

The Pistol Grip Power Press Tool is a battery powered hydraulic pressing tool for up to 2" SS press sleeves. Comes with one 18V 3.0Ah Li-ion battery, battery charger, and hard plastic case. Jaws for the Pistol Grip Power Press Tool are sold separately.

### Technical Data

Pressing time:..... 4-7 s  
 Thrust force (linear): ..... 32 kN min.  
 Battery voltage:..... 18V  
 Battery capacity: ..... 3.0 Ah Li-Ion (Makita BL1830)  
 Battery charging time:..... 22 min. (Makita BL1830)  
 Presses/charge:..... ~300 presses (1/2") (Makita BL1830)  
 Ambient temperature:..... 14 to 104°F (-10 to 40°C)  
 Hydraulic oil:..... Rivolta S.B.H. 11  
 Sound level:..... < 70 dB (A) at a distance of 3.3 ft (1 m)  
 Vibrations:..... < 2.5 m/s<sup>2</sup>

Qty	Stk. #	Weight
	11600	7.7 lb (3.5 kg)



### Installation

Installation of the stainless steel press sleeves must follow all of HeatLink's instructions and guidelines, found in the Potable Water Systems Installation Guide.

### Related Documents

- Pistol Grip Power Press Tool Instructions (L611600)
- Potable Water Systems Installation Guide (L3235)
- Pistol Grip Power Press Tool Jaws Submittal (SUB11605)
- HeatLink Limited Plumbing Warranty

*This page is intentionally blank.*