

## FEDERATION RANGE – STEP

### CUSTOMER SPECIFICATION SHEET

**Any variation to the below will mean the hood has to be specially made and will be subject to a quotation. The order will not be confirmed until this form is signed and completed.**

#### MODEL REQUIRED

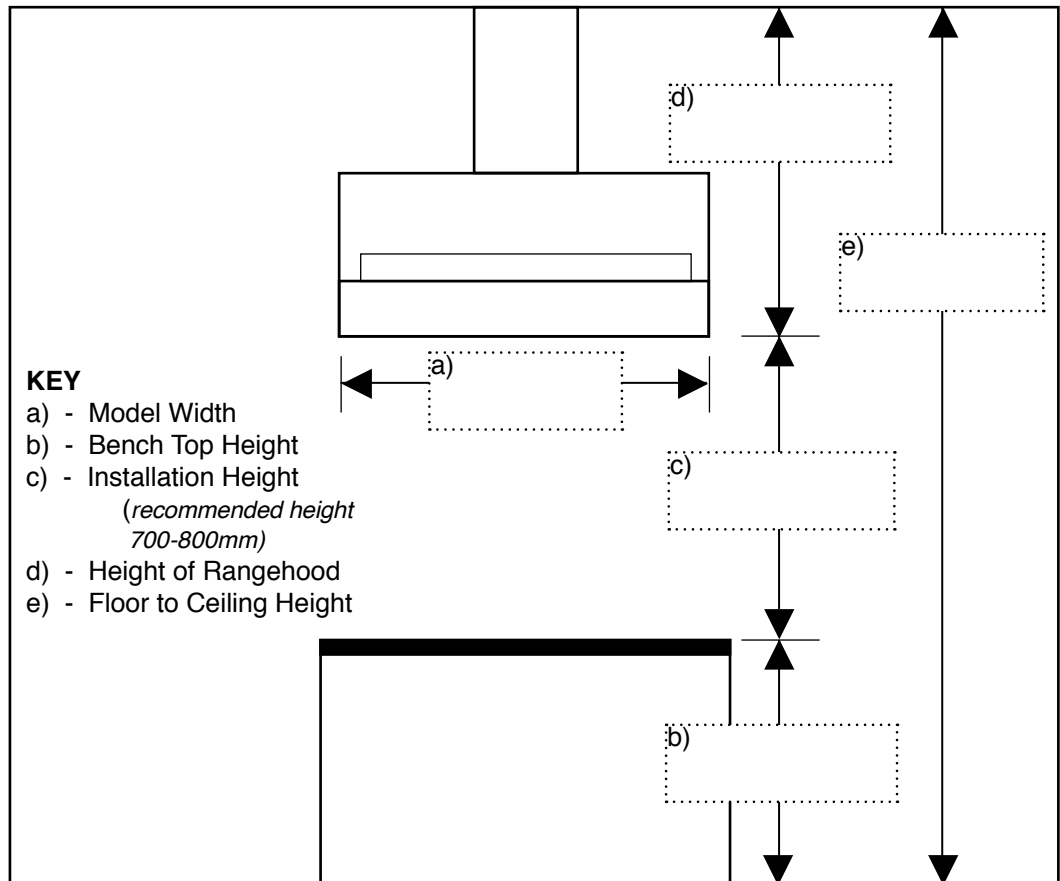
- ST 900L-1
- ST 900L-2
- ST 1200L-2

#### DUCT DIRECTION

- Top Ducted
- Back Ducted

#### FINISH

- Stainless Steel
- Powderkote  
 - Colour: \_\_\_\_\_  
 - Code: \_\_\_\_\_



#### MIN STANDARD HEIGHT

Back Duct 350 MM  
 Top Duct 450 MM

#### MAX STANDARD HEIGHT

1530 MM

DATE \_\_\_\_\_ ORDER NO. \_\_\_\_\_

COMPANY \_\_\_\_\_

CONSULTANT \_\_\_\_\_

TYPE & BRAND OF HOTPLATE \_\_\_\_\_

DEPTH OF BENCH TOP \_\_\_\_\_

DATE REQUIRED \_\_\_\_\_

COMMENTS \_\_\_\_\_

CUSTOMER SIGNATURE \_\_\_\_\_

Condari Pty Ltd ABN: 55 105 6577 765 | Phone: 1300 360 563 | 668 Smith Street Clifton Hill VIC 3068

**VIC / TAS**  
 Email: sales@qasair.com.au  
 Phone: 03 9482 7088  
 Fax: 03 9482 7011

**NSW / ACT**  
 Email: salesnsw@qasair.com.au  
 Phone: 02 9316 4599  
 Fax: 02 9316 9299

**QLD**  
 Email: salesqld@qasair.com.au  
 Phone: 07 3423 3503  
 Fax: 07 3282 9122

**SA / NT**  
 Email: salessa@qasair.com.au  
 Phone: 1300 360 563  
 Fax: 03 9482 7011

**WA**  
 Email: saleswa@qasair.com.au  
 Phone: 08 9242 5387  
 Fax: 08 9201 0887