

Anyx 13

ARV13

Full Cut-off
Vandal Resistant LED

Project Information

Fixture Type	Date
Job Name	
Approved By	
Catalog Number	



CEILING/WALL MOUNT
LAMPS: LED

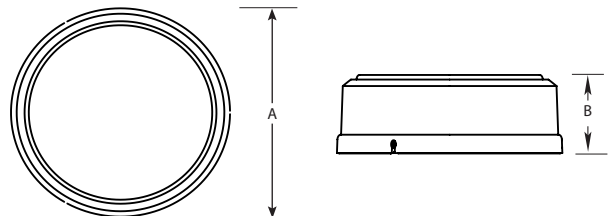
SPECIFICATIONS



Description	The Anyx 13 LED fixtures build on the highly successful Anyx line. The full cut-off, LED version features an upgraded, die cast, marine grade aluminum external trim, as well as an innovative twist-lock system. The Anyx 13 series has been installed successfully in large scale projects such as dorm rooms, unsecured hallways, transportation stations and public schools.
Trim	One piece die cast aluminum mechanically interlocked to base plate and sealed against moisture and contaminants with two high temperature silicone O-rings. Chemically primed and finished with electrostatically applied polyester powder coat. Locked in place with one concealed tamper resistant set screw.
Lens	One piece injection molded frosted polycarbonate with minimum 0.130" wall thickness. Secured to base plate by trim and sealed with two high temperature silicone O-rings.
Reflector	One piece injection molded UV stabilized polycarbonate.
Base Plate	Pressure die cast marine grade aluminum. Chemically primed and finished with electrostatically applied polyester powder coat.
Mounting Plate	Pressure die cast marine grade aluminum. Chemically primed and finished with electrostatically applied polyester powder coat.
Driver	(1) constant current driver at 350mA.
LED	18 Cree XPE-HEW @ 4300K or 18 Cree XPG @ 3500K. L ₇₀ projected life of over 100,000 hours at 50°C
Gaskets	Closed cell die cut neoprene gasket provided between fixture mounting plate and mounting surface. High temperature silicone O-ring between the trim and lens; between the lens and base plate; and between the mounting plate and base plate.
UL Listing	U.L., C.U.L., Wet standard, 1598a.
Warranty	One year warranty on fixtures and accessories against defects. Ten year warranty on LED boards against operational defects. Lifetime warranty on any fixture damaged due to vandalism.

DIMENSIONAL DATA

	A	B
ARV13	13.13	3.14



7 Olsen Avenue • P.O. Box 2104 • Edison, NJ • 08818
P. 732.549.0056 F. 732.549.9737



Luminaire Lighting Corporation products are manufactured in the USA with components purchased from USA suppliers, and meet the Buy American requirements under the ARRA.

Luminaire
Lighting Corporation

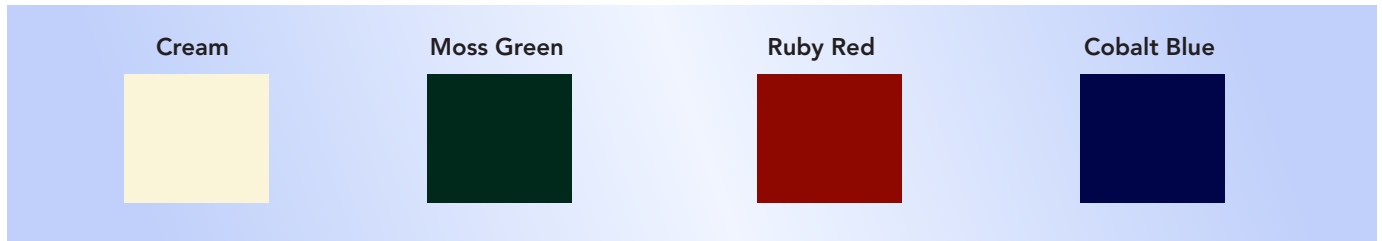
www.luminairelighting.com

ORDERING INFORMATION

SERIES	LED	CCT	VOLTS	LENS	COLORS	OPTIONS	TX/SD (REQUIRED)
ARV13							

LED	CCT	VOLTS	LENS	COLORS	OPTIONS
22W LED	3500K 4300K	120 277	FP Frosted Polycarbonate Standard	BLK - Black WHT - White BRZ - Bronze GRY - Gray CUST - Custom Color Consult Factory PREM - Premium Color (See Below)	DIM EMB20R EMB125R EMB375R SHCAB PC GLR

PREMIUM COLORS **



** Due to printing variances, the colors as represented are not an exact match to the product. For an exact match, we strongly recommend obtaining a free color sample prior to ordering.

OPTIONS

DIM	0-10V dimming driver.
EMB 20R	Remote mounted micro inverter that will operate a 20W maximum load for 90 minutes. 0°C (32°F) to 50°C (122°F).
EMB 125R	Stand-alone inverter that will operate a 125W maximum load for 90 minutes. Select ceiling grid, recessed wall or surface mount. 20°C (68°F) to 30°C (86°F).
EMB 375R	Stand-alone inverter that will operate a 375W maximum load for 90 minutes. 20°C (68°F) to 30°C (86°F).
SHCAB	Low profile pressure die cast marine grade aluminum back box. Provided with (3) ½" i.p.t. holes for conduit entry with threaded plugs. Chemically primed and finished with electrostatically applied polyester powder coat.
PC	Photoelectric switch. (requires SHCAB option).
GLR	Fuse and fuse holder.
TX/SD	TORX® head bit.

7 Olsen Avenue • P.O. Box 2104 • Edison, NJ • 08818
P. 732.549.0056 F. 732.549.9737

Luminaire
Lighting Corporation

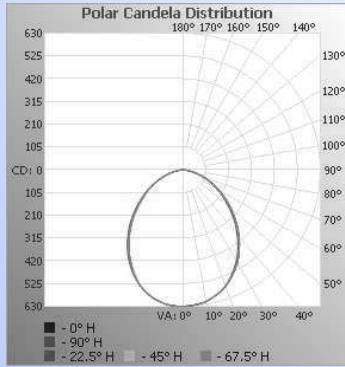
www.luminairelighting.com



Luminaire Lighting Corporation products are manufactured in the USA with components purchased from USA suppliers, and meet the Buy American requirements under the ARRA.

PHOTOMETRIC DATA

MODEL ARV13-22W LED-4300K-FP IES FILE: L242550-1
Lamp: 18 White LEDs. Luminaire Efficacy: 65.0 Lumens per Watt
Testing was performed in accordance with IES LM-79-08



	Illuminance at a Distance	
	Center Beam FC	Beam Width
1.7ft	226.69 fc	3.6ft
3.3ft	56.67 fc	7.1ft
5.0ft	25.19 fc	10.7ft
6.7ft	14.17 fc	14.3ft
8.3ft	9.07 fc	17.9ft
10.0ft	6.30 fc	21.4ft

Vert. Spread: 94.0° Horiz. Spread: 93.8°

lighting facts
A Program of the U.S. DOE

Light Output (Lumens) 1441
Watts 22.2
Lumens per Watt (Efficacy) 65

Color Accuracy
Color Rendering Index (CRI) 72

Light Color
Correlated Color Temperature (CCT) 4291 (Bright White)

Warm White 2700K Bright White 3000K 4500K Daylight 6500K

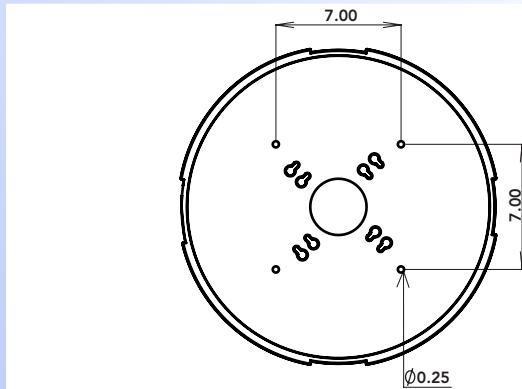
All results are according to IESNA LM-79-2008: Approved Method for the Electrical and Photometric Testing of Solid-State Lighting. The U.S. Department of Energy (DOE) verifies product test data and results.

Visit www.lightingfacts.com for the Label Reference Guide.

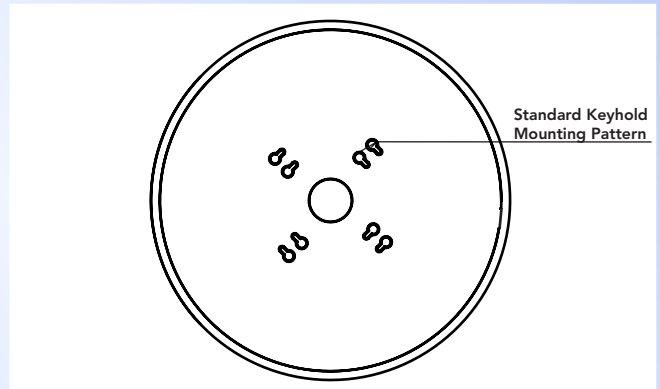
Registration Number: 431H-W7DLF5 (3/16/2012)
Model Number: ARV13-22W LED-4300K-FP
Type: Surface-mounted fixture (other)

INSTALLATION DETAILS

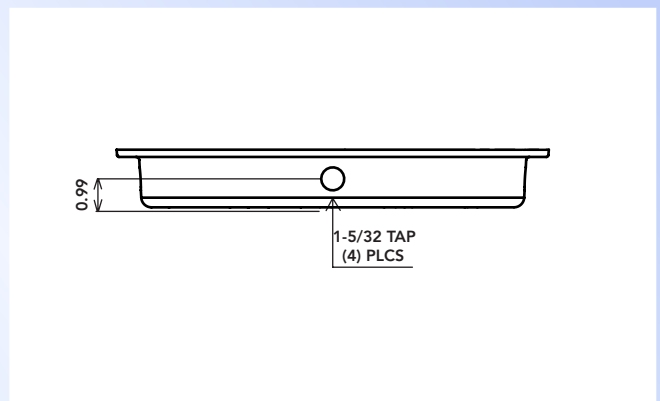
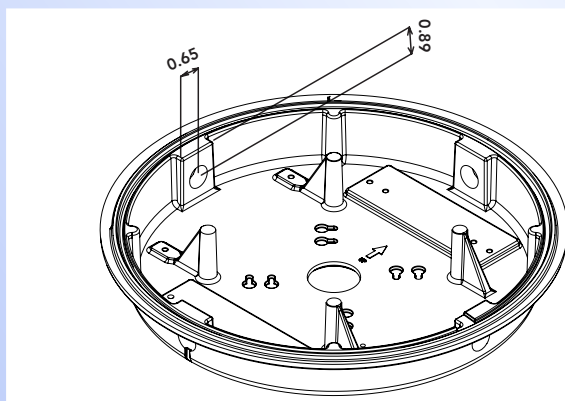
Mounting Plate



OPTIONAL SHCAB



OPTIONAL SHCAB KO DETAIL



7 Olsen Avenue • P.O. Box 2104 • Edison, NJ • 08818
P. 732.549.0056 F. 732.549.9737

Made in



Luminaire Lighting Corporation products are manufactured in the USA with components purchased from USA suppliers, and meet the Buy American requirements under the ARRA.

Luminaire
Lighting Corporation

www.luminairelighting.com