

SISTEMALUX

SPECIFICATION SHEET

MINIZIP ROUND DOWNLIGHT Ø5-3/8"

#S.584 - 19
MODEL FINISH




LAMPING: 1 X 35W MR-16 HALOGEN LOW VOLTAGE,
GU5,3 BASE

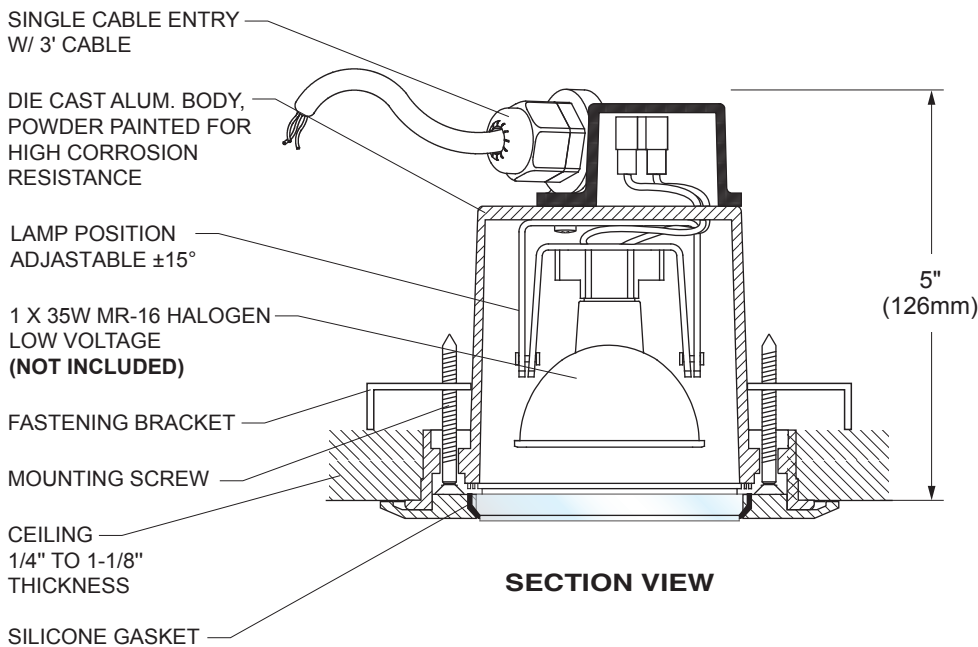
MINIZIP is a recessed downlight luminaire. It is fixed to the false ceiling by a heavy-duty bracket system. It conforms to all ceiling thickness using fasteners located on the outer trim.

PROJECT NAME: _____

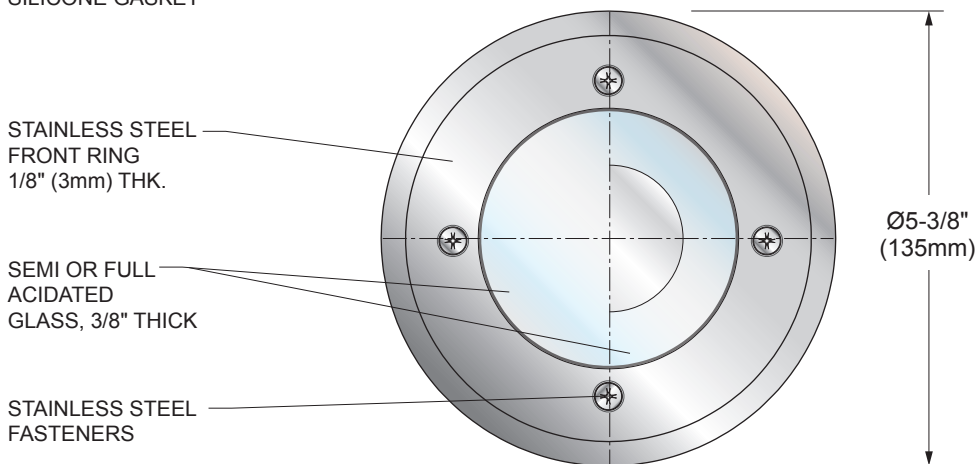
TYPE: _____ QTY: _____

LAST UPDATE : JULY 18, 2013

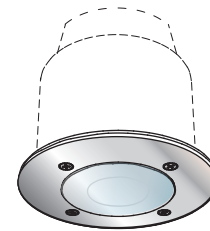
	FULL ACIDATED GLASS (50° BEAM)	SEMI-ACIDATED GLASS (36° BEAM)
STAINLESS STEEL FRONT RING	  S.5841-19	  S.5842-19



SECTION VIEW



BOTTOM VIEW



ISOMETRIC VIEW



CUT-OUT

IP 65 IK 09 MINIMUM 4-1/2" (114mm)
MAXIMUM 4-5/8" (117mm)

USE SUITABLE REMOTE TRANSFORMER

ACCESSORY (TO BE ORDERED SEPARATELY)

 S.5510 - CONCRETE CEILING INSTALLATION KIT (DIM: Ø4-3/4" to 6-1/2" X H 5-3/8")

WEIGHT:

0.9KG. (2LBS.)

METAL FINISH

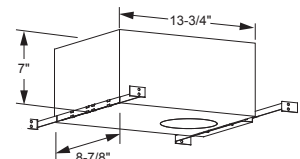
 19 - STAINLESS STEEL

CEILING INSULATED BOX* (AVAILABLE ON REQUEST) (TO BE ORDERED SEPARATELY)

Round prewired housing.
HANGER BARS: 14-1/4" to 26"

 BI-MZIP-120-RD

 BI-MZIP-277-RD



9320 Boul. St-Laurent,
suite 100, Montréal (Québec)
Canada H2N 1N7
P.: 514.523.1339 F.: 514.525.6107

SISTEMALUX
GROUP

MINIZIP ROUND
DOWNLIGHT Ø5-3/8"