

Job Name: Fixture Type: Qty:

LED by Times Square Lighting



LD16V Soraa 11.5W LED MR16

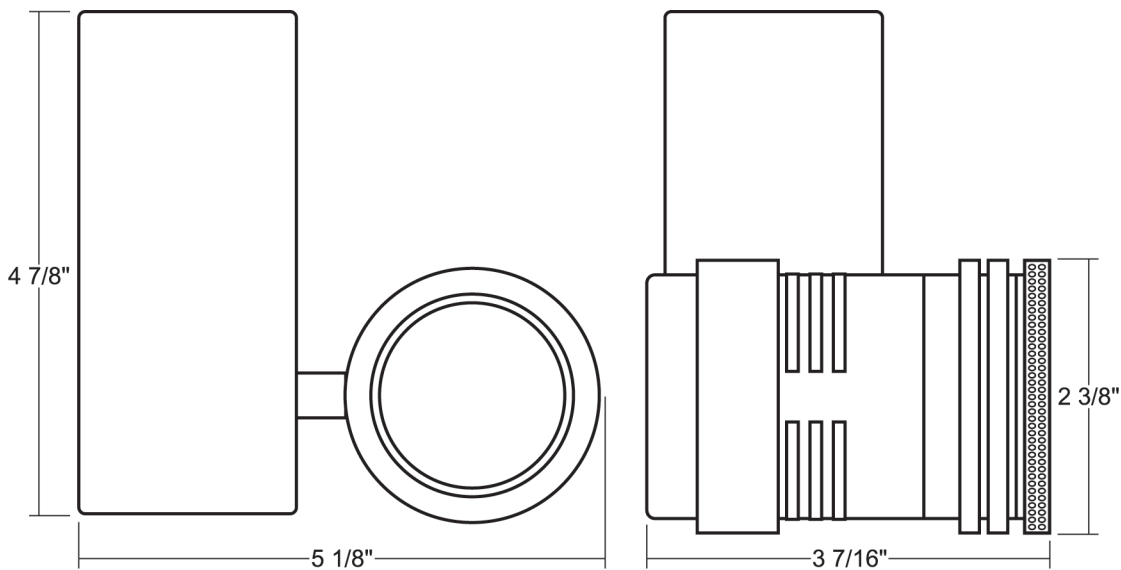
The clean and sleek style of the LD16V makes this fixture ideal for any interior space such as a museum, gallery, or anywhere a visually interesting fixture is needed. This compact unit features energy efficient Soraa LED lamps that are available in a wide variety of beam spreads.

The LD16V is constructed of lightweight aluminum and has an adjustable self-locking head. Comes in standard black, white and silver finishes. Custom colors are available by request and at an additional charge.

Features:

- 10W and 11.5W Soraa LED MR16
- Available in 10°, 20°, 25°, and 36° beam
- 50W and 75W Halogen equivalent
- Rated up to 35,000 hours
- Dimmable
- Numerous mounting options and accessories
- Weight: 1.3 lbs

Manufactured in the USA - IBEW



Maximum ambient temperature: 35°C
 Maximum operating angle: 45° from vertical

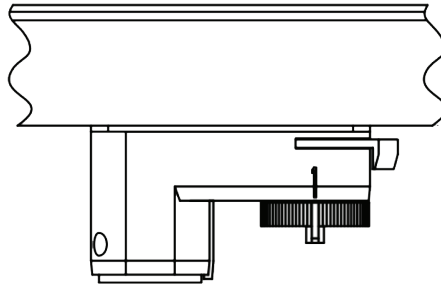


5 Holt Drive • Stony Point, NY 10980
 Phone: 845-947-3034 • Fax: 845-947-3047 • www.tslight.com
Specifications are subject to change without notice.

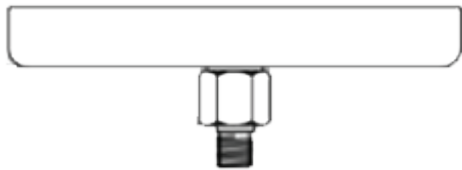
Last updated 04/08/2014.

Mounting Options

- AD1**
Track adapter for commercial grade 1 & 2 circuit track. 120V. For use with Lightweight fixtures.
- T1**
Track adapter for commercial grade 1 & 2 circuit track. 120V. For use with larger, heavier fixtures.
- TA2 / HTA2 (277)**
Track adapter for G-Series specification grade 2-circuit track. 120V or 277V.
- TA3**
Track adapter for G-Series specification grade 3-circuit track. 120V.
- TA1 / TE2 (2 circuit)**
Track adapter for E-Series specification grade track. 1 or 2 circuit. 120V.
- ST2**
2 circuit track adapter for Data Bus. Specification grade track. 120V.



- CM4**
Canopy mount.



- US1**
6 5/8" x 1 1/2" Unistrut adapter.



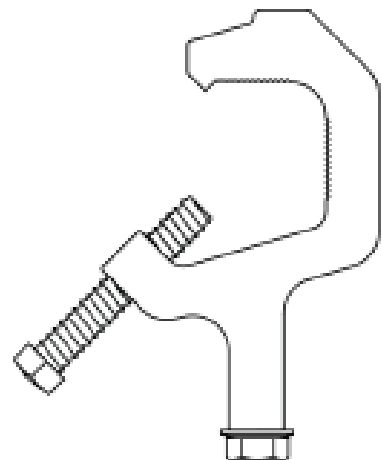
- TB4**
6 1/4" Portable wall mount/table base floor, wall or table use.



- TB8**
8" x 8" Portable table base for floor or table use.

- MC**
Light duty pipe clamp for small fixtures. For pipes up to 1 5/16" O.D.

- MN**
Medium duty pipe clamp for small to large fixtures. For pipes up to 2" O.D.



LD16V Sora 11.5W LED MR16

Specify: LED16V-[LED MODULE] - - -

MODEL NUMBER

FINISH

MOUNTING (optional)

ACCESSORIES (optional)

Example: LED16V-82736 - - -

-B -

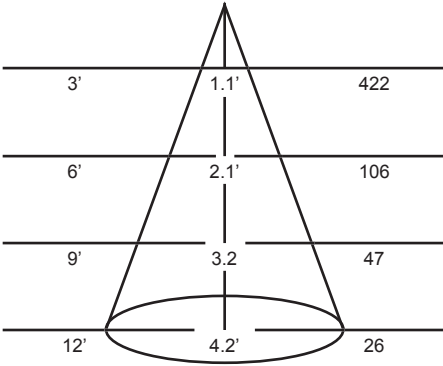
-T1 -

-LV2

Photometric Data

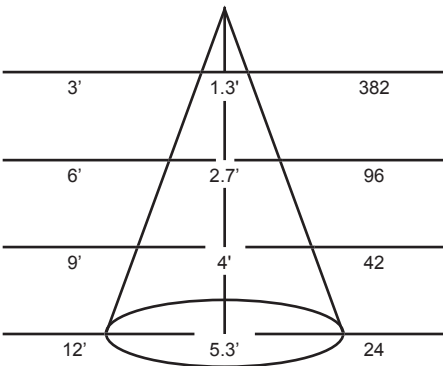
LED1020-83020 (20° Beam, 3000°K)

Distance Beam Spread Footcandles



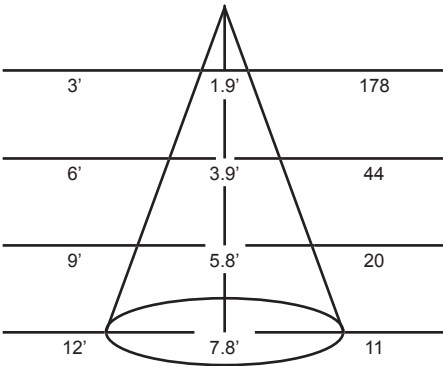
LED1020-83025 (25° Beam, 3000°K)

Distance Beam Spread Footcandles



LED1020-83036 (36° Beam, 3000°K)

Distance Beam Spread Footcandles



LED Modules

LD16V-82710 10W; 10° Beam;
35,000Hrs; ≥80 CRI; 2700°K Color Temp

LD16V-82720 11.5W; 20° Beam;
35,000Hrs; ≥80 CRI; 2700°K Color Temp

LD16V-82725 11.5W; 25° Beam;
35,000Hrs; ≥80 CRI; 2700°K Color Temp

LD16V-82736 11.5W; 36° Beam;
35,000Hrs; ≥80 CRI; 2700°K Color Temp

LD16V-83010 10W; 10° Beam;
35,000Hrs; ≥80 CRI; 3000°K Color Temp

LD16V-83020 11.5W; 20° Beam;
35,000Hrs; ≥80 CRI; 3000°K Color Temp

LD16V-83025 11.5W; 25° Beam;
35,000Hrs; ≥80 CRI; 3000°K Color Temp

LD16V-83036 11.5W; 36° Beam;
35,000Hrs; ≥80 CRI; 3000°K Color Temp

Accessories

LV2 Louver
CC18 Coiled Cord

Extension Wands

SP 12 12" Stem
SP 18 18" Stem
SP 24 24" Stem
SP X Custom Length

Finish

B Black
W White
S Silver
CC Custom Color

