

# S82H26/32/42PLT

## 8" Open Reflector Downlights

**CAT. NO:**

**TYPE:**

**PROJECT:**

### PRODUCT INFORMATION

#### Applications

Open reflector downlight for use with long-life energy efficient compact fluorescent lamps. Provides medium, uniform light distribution with excellent color rendition. Ideal for areas requiring long hours of continuous operation such as lobbies, corridors, reception areas and offices.

#### Specifications

1. **Ballast** - One (1) Type 1 Class P, high power factor universal voltage electronic compact fluorescent ballast. Offer both 1 or 2 lamp operation for 120 through 277 volt input voltage

	(2)18W 18W		(2)26W 26W		(2)32W 32W		(2)42W 42W	
	120V	277V	120V	277V	120V	277V	120V	277V
Line current amps	.34	.15	.49	.21	.58	.26	.76	.32
Input watts including ballast loss	40	40	56	56	69	67	91	90
Ballast factor	.98	.98	.98	.98	1.00	1.00	.98	.98
Minimum starting temperature	0°F	0°F	0°F	0°F	0°F	0°F	0°F	0°F

2. **Mounting pan** - Precision die-stamped 20 gauge galvanized steel. Accommodates ceiling materials up to 3/4" thick.

3. **Installation** - Mounting pan has pre-installed universal mounting brackets with vertical adjustment. Junction box and mounting brackets are accessible from below ceiling. For 26" C-channel hanger bars, specify Q1032 accessory, ordered separately. For 27" flat bar hangers, specify Q1031 accessory, ordered separately. For 24" adjustable bar hangers, specify Q1033 accessory, ordered separately.

4. **Reflector** - Precision spun .050 aluminum, self flanged with clear specular low iridescent Alzak finish. Reflector is screw mounted for positive attachment to socket assembly. Standard flat flange is painted white. Optional polished flange matching reflector finish available, add FF to catalog number.

5. **Baffle** - Precision machined .051 aluminum with deep grooves to minimize aperture glare, anodized matte black or matte white finish. Standard flat flange is painted white. Optional black flange available, add FF to catalog number.

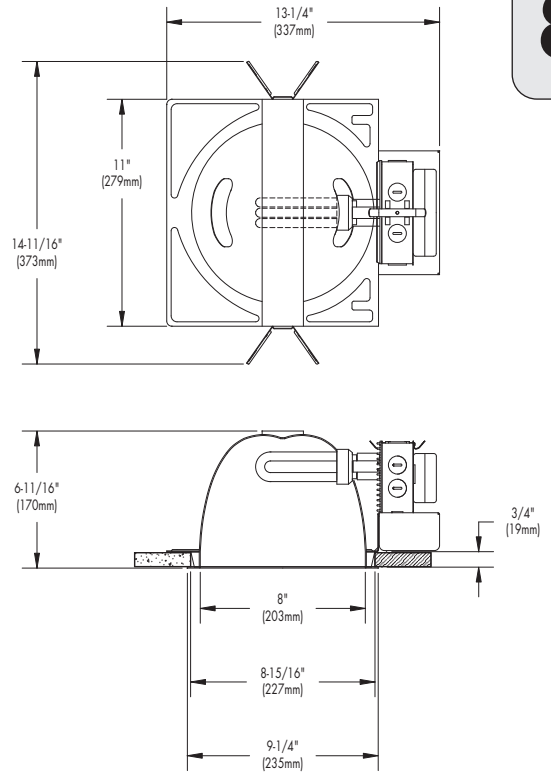
6. **Sockets** - CFM18/GX24q, CFM26/GX24q, CFM32/GX24q, CFM42/GX24q, CFQ26W/G24q, CFQ18W/G24q, CFQ13W/G24q.

7. **Junction box** - Large 32-cubic inch 16 gauge galvanized steel with snap-on cover and ground wire riveted to frame. Approved for through wiring with up to 8 #12 AWG conductors.

8. **Optional emergency system** - Emergency system includes battery, electronic circuitry, charger, and test/monitor plate with test switch and charging indicator light. Test monitor plate may be installed in the ceiling near the fixture or other remote location. Operates appropriate lamp wattage for a minimum of 90 minutes following power failure. Battery is recharged automatically following restoration of power. Emergency system complies with NFPA life safety code, OSHA and NEC. Suitable for dry locations.

9. **U.L. Listed** - For use in damp locations. Approved for Through Branch Circuit Wiring. I.B.E.W. union made.

☛ Canadian Specifications may vary from these shown, consult Canadian Division.



8

### CATALOG SYSTEM AND OPTIONS

EXAMPLE OF COMPLETE CATALOG NUMBER: **S82H26/32/42PLTU-T82HPLTCS**

Spex Aper.	Lamp (by others)	Frame Options	Supply Voltage	Reflector Series/Size	Lamp Configuration	Reflector Option	Reflector Finish	Reflector Options
S8	2H26/32/42PLT <sup>1</sup>	F1 Fuse 120v	U	T8	2HPLT	BB Black Baffle	CS Clear Specular	IE Integral
	2H18PLT	F2 Fuse 277v			(2) horz. PLT	WB White Baffle	CSS Clear Semi-Specular	Emergency <sup>3</sup>
	1H26/32/42PLT <sup>1</sup>	F3 Fuse 347v			2HQPL	SH Shatter Guard	HZ Haze	
	1H18PLT	EM Emergency	S3 347v		(2) horz. QPL	CL Clear Lens	GS Gold Specular	
	2H26QPL	IE Integral Emergency <sup>3</sup>			1H	PL Prismatic Lens	WT Wheat	<b>Bar Hanger Accessory:</b>
	2H18QPL	DL1 Dimming, Lutron Compact SE, 120v <sup>2</sup>			(1) horz. PLT or QPL	FL Fresnel Lens	PW Pewter	<b>Q1031</b> 27" Flat Bar Hangers
	2H13QPL	DL2 Dimming, Lutron Compact SE, 277v <sup>2</sup>					BK Black	(pair) - Wood Joist
	1H26QPL	DX1 Dimming, Advance Mark X, 120v <sup>2</sup>					BZ Bronze	<b>Q1032</b> 26" C Channel (pair)
	1H18QPL	DX2 Dimming, Advance Mark X, 277v <sup>2</sup>					WH White	<b>Q1033</b> 24" Expandable T-Grid
	1H13QPL						FF Finish Flange	or Wood Joist (pair)
							(as suffix to color)	

1. Utilizes 26, 32 & 42 watt lamps.  
 2. Specify lamp wattage for 26, 32 or 42 watt for dimming option.  
 3. IE must be specified on both frame and reflector for Integral Emergency.

OMEGA LIGHTING: 776 South Green St., Tupelo, MS 38804 Phone 662.842.7212 FAX 662.841.5501

## S82H26QPL-CS Photometric Data

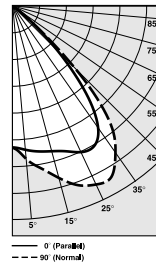
### Clear Specular Reflector

Report Number: L1752  
 Lamp: (2)CFQ26W/G24q,  
 Quad Tube  
 Total Lumens: 3600  
 Fixture Efficiency: = 68.1%  
 IES File: EY5685.IES  
 S/MH Ratio = 1.7, 1.5  
 Beam Angle: 90.18

#### LIGHTING PERFORMANCE DATA

CEILING HEIGHT* (FT.)	INITIAL FOOTCANDLES	BEAM DIAMETER (FT.-IN.)
8	37.1	11-0
10	20.0	15-0
12	12.5	19-0
14	8.5	23-0
16	6.2	27-1

#### DISTRIBUTION CURVE



DEGREES	CANDELA		FOOT-LAMBERTS
	AT 0°	AT 90°	
90	0	0	
85	2	0	354
75	6	6	715
65	62	97	5801
55	738	911	44326
45	975	1403	51851
35	1011	1533	
25	1135	1372	
15	1120	1471	
5	1182	1284	
0	1209	1209	

#### COEFFICIENTS OF UTILIZATION ZONAL CAVITY METHOD

Effective Floor Cavity Reflectance 0.20

RC	80		70		50	
	50	30	50	30	50	30
0	68	68	68	68	65	65
1	63	60	60	59	58	56
2	56	53	55	52	53	50
3	50	46	48	45	46	44
4	45	40	44	40	41	39
5	40	34	39	34	38	34
6	35	30	34	30	34	29
7	33	28	32	28	30	27
8	29	25	28	25	28	23
9	27	23	27	22	26	22
10	25	20	25	20	23	20

8

## S82H42PLT-CS Photometric Data

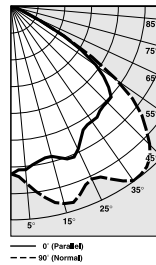
### Clear Specular Reflector

Report Number: 21033  
 Lamp: (2) CFM42W  
 Total Lumens: 6400  
 Fixture Efficiency: = 63.0%  
 IES File: 21033.IES  
 S/MH Ratio = 1.3, 1.8  
 Beam Angle: 22.24

#### LIGHTING PERFORMANCE DATA

CEILING HEIGHT* (FT.)	INITIAL FOOTCANDLES	BEAM DIAMETER (FT.-IN.)
8	40.0	17-6
10	21.5	23-10
12	13.4	30-3
14	9.1	36-7
16	6.6	42-11

#### DISTRIBUTION CURVE



DEGREES	CANDELA		FOOT-LAMBERTS
	AT 0°	AT 90°	
90	0	0	
85	2	0	354
75	6	6	715
65	62	97	5801
55	738	911	44326
45	975	1403	51851
35	1011	1533	
25	1135	1372	
15	1120	1471	
5	1182	1284	
0	1209	1209	

#### COEFFICIENTS OF UTILIZATION ZONAL CAVITY METHOD

Effective Floor Cavity Reflectance 0.20

RC	80		70		50	
	50	30	50	30	50	30
0	68	68	68	68	65	65
1	63	60	60	59	58	56
2	56	53	55	52	53	50
3	50	46	48	45	46	44
4	45	40	44	40	41	39
5	40	34	39	34	38	34
6	35	30	34	30	34	29
7	33	28	32	28	30	27
8	29	25	28	25	28	23
9	27	23	27	22	26	22
10	25	20	25	20	23	20

Additional photometric test files are available @ [omegalighting.com](http://omegalighting.com)