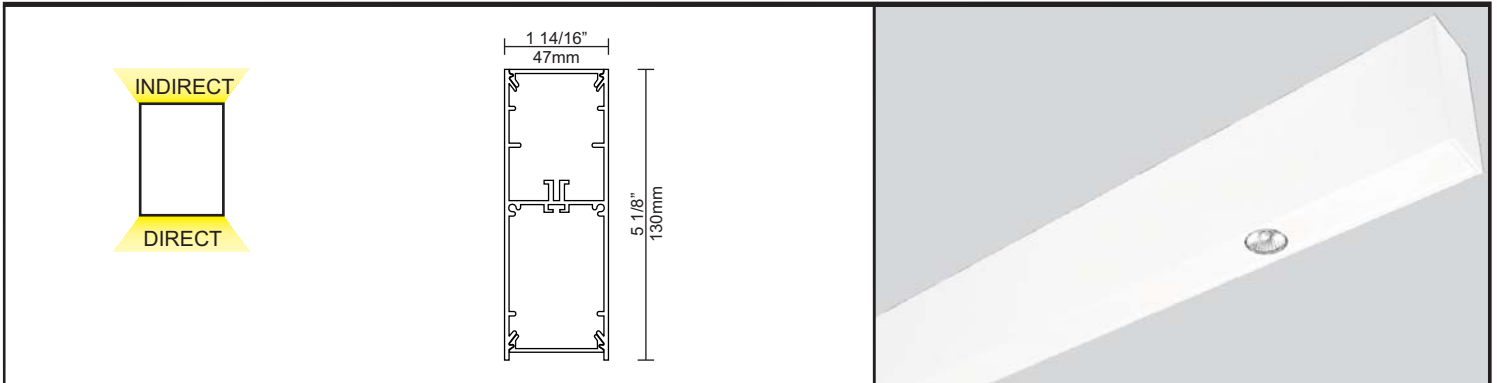


Date: \_\_\_\_\_ Project: \_\_\_\_\_

Fixture Type: \_\_\_\_\_ Specifier/Rep: \_\_\_\_\_



L3HX-SW-SYS — — DI — OP — — — — — X — — — — — / / — —  
 Article # Installation Distribution Diffuser Length Angle Couplers Voltage Linear Spot x Qty Electrical Power Feed Suspension Cable Finishes Accessories

L3HX-SW-SYS	S Suspension	DI Direct/Indirect	OP Opal	State desired length	(if required) FC surface 90°	120V 277V  347V (Optional)	Linear LED L307 (3000K) 7W/ft L357 (3500K) 7W/ft Fluorescent S1 T5 SO 1 lamp H1 T5 HO 1 lamp	Spot (x please specify quantity) Halogen 1M 1 x 50W MR16 (low voltage) 2M 2 x 20W MR16 (low voltage) LED (standard finish: Aluminum, add 'B' for White finish) 1N30 (3000K) or 1N40 (4000K) 1W or 2W 13° 2N30 (3000K) or 2N40 (4000K) 1W or 2W 35° 1L30 (3000K) or 1L40 (4000K) 1W or 2W 13° adjustable 2L30 (3000K) or 2L40 (4000K) 1W or 2W 35° adjustable
-------------	--------------	--------------------	---------	----------------------	------------------------------	--	--	--

Electrical Options		Power Feed	Suspension Cable	Finishes (see page 5)		Accessories
LED	Fluorescent	1 Circuit	Standard Cable	Please specify profile/end cap/ suspension cable.		Fluorescent Gels
Non-Dimming	Non-Dimming	1C3 3 WIRE	2M 2000mm height	00 Natural Anodized Aluminum	13 Mysterious Gray	R Red
25W non-dimm.	S Standard Output non-dimm.	1C4 4 WIRE	6M 6000mm height	01 Sparkling Silver	14 Twilight	Y Yellow
60W non-dimm.	H High Output non-dimm.	1C5 5 WIRE	Cable with Strain Relief	02 Black Velvet	15 Lost Dream	G Green
100W non-dimm.	Dimming	2 Circuit	2MS 2000mm height	03 Crystal White	16 Purple Sky	B Blue
Dimming	DIM1 0-10V	2C3 3 WIRE	6MS 6000mm height	04 Creamy	17 Fresh Oh	P Pink
DIM1 0-10V (60W)	DIME Lutron Eco System (10%)	2C4 4 WIRE		05 Hampton Bay	18 Funky P.	Pp Purple
DIM2 0-10V (100W)	DIME3 Lutron Eco System 3 Wire (10%)	2C5 5 WIRE		06 Lagoon	19 Kissing Aphrodite	O Orange
DIM3 Lutron Hi-Lume A series	DIM3D Lutron Hi-Lume 3D (1%)			07 Urban Forest	20 Poseidon's Paradise	
EM Emergency (Supplied by others)	DIM3D3 Lutron Hi-Lume 3 Wire (1%)			08 In the Army	21 Blue Sky	
other: please specify	DIMEH Lutron Eco System H series (1%)			09 Rusty Angel	22 Spring Green	
	EM Emergency (direct only)			10 Rusty Rush	23 Mellow Yellow	
	other: please specify			11 Milk & Chocolate	24 Golden Heart	
				12 Fade to Gray	25 Gun Metal	

For unique customized profiles please include a layout drawing or description below;

\* Include detailed information such as distance between linear lamps, spots and aluminum caps.

\* Zaneen will supply submittal drawing for approval once an order is received.

Profile Layout Suggestions



Available for International specifications by adding 'INT' at the end of the existing Model #. International spec sheets are available upon request.

For assistance to write your "custom" specification, email your inquiry to: [specification@zaneen.com](mailto:specification@zaneen.com). You will receive a response within 1-2 business days.

Zaneen reserves the right to change the specifications and/or materials without notice. Please check [www.zaneen.com](http://www.zaneen.com) for the most recent updates.

Date: \_\_\_\_\_ Project: \_\_\_\_\_

Fixture Type: \_\_\_\_\_ Specifier/Rep: \_\_\_\_\_

**Type** Suspension (Non-IC Type) or Wall Mounted  
Rated for Dry or Damp locations (IP20)

**Approval** Certified by C.S.A. for North American Standards

**Emission** Direct/ Indirect.

Aluminum caps offered to customize the location of the spot light.

**Efficiency**

Acrylic diffuser (snap-in) lens 32%

### PROFILE

**Measurements** w.47mm (1 14/16") x ht. 130mm (5 1/8")

**Housing** Anodized extruded aluminum profile up to 9'-10 2/16" long. Profiles are joined with a coupler to ensure uniform appearance and easy installation. Extruded aluminum offers high reflective surface and excellent heat dissipation.

**Corners** 100% homogeneous appearance. Corners are created with mitered cut in lens and aluminum.

**End Cap** has two visible screws.

**Finishes**

Standard; Natural anodized aluminum

Optional; 24 colors offered using premium powder coated finish.

Profile, end cap and suspension cable can be specified in different finishes.

**Suspension Cable** 1/16" aircraft cable supplied with chrome gripper. Maximum suspension from ceiling to top of the fixture is 6m.

Maximum space between aircraft suspension cables is 1.8m.

**Wall Bracket** If required, aluminum wall brackets are located approximately every 4ft-4ft. Fasteners and wall anchors are supplied by others.

**Mounting Holes** Keyholes are drilled at the factory. Mounting hardware are supplied and installed by others.

When using wall fastening spacer or key hole milling, fixture must be specified as up light or down light.

### INSERTS

**Linear**

**LED**

LED 3000K° (7W/ 1092 lm/ft)

LED 3500K° (7W/ 1176 lm/ft)

(LM 79-80)

LED inserts are offered in 3", 6", 12" increments. Zaneen will finalize the actual profile length after calculating the inserts required.

\* Please contact Zaneen for other color temperature options.

**Fluorescent**

Available Configurations

Direct

1 lamp flush

T5 SO: 21W, 28W, 35W / T5 HO: 39W, 54W

1 lamp overlap

T5 SO: 21W, 28W, 35W / T5 HO: 39W, 54W

Indirect

1 lamp flush

T5 SO: 14W, 21W, 28W, 35W / T5 HO: 24W, 39W, 54W

Emergency (Direct only)

1 lamp flush

T5 SO: 21W, 28W, 35W / T5 HO: 39W, 54W

1 lamp overlap

T5 SO: 21W, 28W, 35W / T5 HO: 39W, 54W

**Spot**

**Halogen**

MR11 (1X35W or 2X20W)

**LED**

1-2W / 350-500mA (constant current)

3000K° (1W/ 85lm, 2W/102lm)

4000K° (1W/ 106lm, 2W/127lm)

13°, 35° optics

non- adjustable or 25° adjustable

Spot inserts are not compatible with Lutron dimming drivers.

Minimum spacing between the LED spots is 3.5" with a remote power supply. Power supply can be integral with a minimum of 7" spacing between the LED spots.

**Lamp Combination** For specific lamp combinations or configurations, please specify the overall length and attach a sketch or drawing of the intended configuration. Zaneen will supply submittal drawings for approval once an order is received.

### ELECTRICAL

Luminaires are pre-wired with a factory installed branch circuit wiring and quick-release connectors. Through wiring is used to connect the luminaires.

**Power Feed** 9mm diameter hole located on top of the profile. Strain relief is positioned over the power feed hole.

**LED Driver** Remote driver must be installed into a metal enclosure (supplied by others). Maximum distance between the power supply and the last fixture on the circuit is 30' using a 18-gauge wire. For more than 30', the gauge of the wire must be determined by a certified professional. The length of the fixture specified must be considered within the maximum distance of 30'.

Provisions must be made on site for accessibility to the power supplies.

\*Electronic Class II driver, 120V/ 277V/ 347V(optional).

Dimming driver 0-10V (10-100%)

Lutron Hi-Lume A type dimming

**Emergency Inverter Compatible** To be installed remotely but provided by others, can be located up to 250' away from the fixture.

**Emergency Circuit Wiring** Upon request.

**Fluorescent Ballast** Electronic high-power factor ballast. Specify 120V, 277V, 347V. Ballast is pre-wired with leads to one end of fixture. Ballast is positioned behind the lamp insert and is fully accessible from below.

0-10V, Lutron 3-wire or Lutron digital dimming options are available.

\*Lutron dimming ballast is used as standard 120V/ 277V/ 347V.

**Emergency Ballast** To be installed remotely. Suspension cable length must be maximum 2'. Only 1 emergency ballast for every 4' (flush) and/or 5' (flush or overlap) insert can be integral.

**Emergency Circuit Wiring** Upon request.

**Emergency Testing Switch** is installed on the side of the emergency ballast equipped fixture.

### WARRANTY

Zaneen provides a limited warranty from date of purchase to original purchaser.

**LED Inserts** : 5 year

Rated for 50,000 hours at 70% lumen output (L70)

**LED Driver** : 5 year

**Fluorescent / Ballast** : 5 year

**Dimming Ballast** : 3 year

**12V Transformer** : 1 year

**Non-Electrical Components** : 1 year


Zaneen reserves the right to change the specifications and/or materials without notice. Please check [www.zaneen.com](http://www.zaneen.com) for the most recent updates.

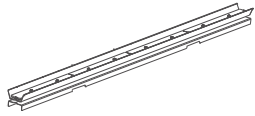
Date: \_\_\_\_\_ Project: \_\_\_\_\_

Fixture Type: \_\_\_\_\_ Specifier/Rep: \_\_\_\_\_

### INSERTS

#### LINEAR INSERTS

LED	Color Temp. (K)	Watt	Lumens		Length	
			Nominal	Actual		
	L307	3000° K	7W / ft	1092 lm/ft	324 lm/ft	3", 6", 12" 76mm, 152mm, 304mm
	L357	3500° K	7W / ft	1176 lm/ft	360 lm/ft	3", 6", 12" 76mm, 152mm, 304mm


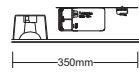

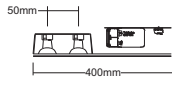


#### FLUORESCENT






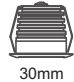


	Flush	Overlap	Lamp Insert Position
<b>S1</b> Standard Output T5: 14W,21W, 28W, 35W <b>H1</b> High Output T5: 24W,39W, 54W  Emergency: Standard Output T5: 21W, 28W, 35W High Output T5: 39W, 54W			
	1-Lamp		

#### SPOT INSERTS

##### HALOGEN

	Lamp/ Voltage	Dimensions		Lamp/ Voltage	Dimensions
	<b>1M</b> 1 x 35W MR11 / 12Vac	 350mm		<b>2M</b> 2 x 20W MR11/12Vac	 50mm 400mm

##### LED

OPTICS 13°					OPTICS 13°						
	CT	Lamp/ Voltage	Lumens Nominal/ Actual	Dimensions		CT	Lamp/ Voltage	Lumens Nominal/ Actual	Dimensions		
	<b>1N</b>	3000K°	1W/350mA 2W/500mA	103.6/ 89.72lm 138.75/ 122.88lm	 Non- adjustable 30mm		<b>1L</b>	3000K°	1W/350mA 2W/500mA	103.6/ 89.72lm 138.75/ 122.88lm	 25° adjustable 40mm
		4000K°	1W/350mA 2W/500mA	114.8/ 91.47lm 153.75/ 125.28lm				4000K°	1W/350mA 2W/500mA	114.8/ 91.47lm 153.75/ 125.28lm	
OPTICS 35°					OPTICS 35°						
	<b>2N</b>	3000K°	1W/350mA 2W/500mA	103.6/ 87.86lm 138.75/ 120.33lm	 Non- adjustable 30mm		<b>2L</b>	3000K°	1W/350mA 2W/500mA	103.6/ 87.86lm 138.75/ 120.33lm	 25° adjustable 40mm
		4000K°	1W/350mA 2W/500mA	114.8/ 89.57lm 153.75/ 122.68lm				4000K°	1W/350mA 2W/500mA	114.8/ 89.57lm 153.75/ 122.68lm	

\*Standard Finish: Aluminum / Add 'B' for White finish.

\*Standard Finish: Aluminum / Add 'B' for White finish.


Date: \_\_\_\_\_ Project: \_\_\_\_\_

Fixture Type: \_\_\_\_\_ Specifier/Rep: \_\_\_\_\_

### ELECTRICAL OPTIONS



#### LED

##### DRIVERS


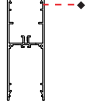



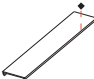

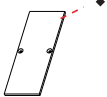
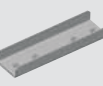
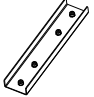

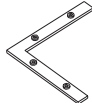







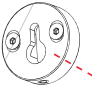
	Non-Dimm/Dimmable	Max. Wattage	Voltage	Dimensions (mm/inch)
	<b>25W</b> non-dimm	25W	120-277V / 24Vdc 347V (*Optional)	L.318x W.102x H.50.8mm /L.12 1/2"x W.4"x H.2"
	<b>60W</b> non-dimm	60W		
	<b>100W</b> non-dimm	100W		
	<b>DIM1</b> 0-10V dimming	60W		
	<b>DIM2</b> 0-10V dimming	100W		
<b>DIM3</b> Lutron Hi-Lume A Series	40W	120-277V / 24Vdc	L.318x W.102x H.50.8mm /L.12 1/2"x W.4"x H.2"	

#### FLUORESCENT

##### BALLASTS

	Non-Dimm/Dimmable	T5SO /Wattages	T5HO /Wattages	Voltage	Dimensions (mm/inch)
	<b>S</b> Standard Output non-dimm	21-28-35W	---	120V-277V 347V (*Optional)	INTEGRAL
	<b>H</b> High Output non-dimm	---	39-54W		
	<b>DIM1</b> 0-10V dimming	21-28W	54W	120V-277V 347V (*Optional)	INTEGRAL
	<b>DIME</b> Lutron Eco System(10%)	21-28-35W	39-54W		
	<b>DIME3</b> Lutron Eco System 3 wire (10%)	21-28-35W	39-54W		
	<b>DIM3D</b> Lutron Hi-Lume 3D (1%)	21-28W	39-54W		
	<b>DIM3D3</b> Lutron Hi-Lume 3 wire (1%)	21-28W	39-54W		
<b>DIMEH</b> Lutron Eco System H series (1%)	21-28W	39-54W			
	<b>EM</b> Emergency	90 minutes operation	21-28-35W	39-54W	120V-277V

### COMPONENTS

	Aluminum Profile	*max. 3000mm lengths		◆ (refer to page 5 for finish options)	
	Opal Diffuser	*max. 3000mm lengths			
	Aluminum Cap Profile	*max. 3000mm lengths			
	End Cap				
	Coupler				
	Corner Coupler - 90°			◆ (refer to page 5 for finish options)	
	Suspension Cable	2000mm 6000mm			
	Suspension Cable with strain relief	2000mm 6000mm			
	Power Feed	2000mm - 3 wire 2000mm - 4 wire 2000mm - 5 wire 6000mm - 3 wire 6000mm - 4 wire 6000mm - 5 wire			
	Wall Fastening Spacer (includes key hole milling)				

Zaneen reserves the right to change the specifications and/or materials without notice. Please check [www.zaneen.com](http://www.zaneen.com) for the most recent updates.

Date: \_\_\_\_\_ Project: \_\_\_\_\_

Fixture Type: \_\_\_\_\_ Specifier/Rep: \_\_\_\_\_

### Color Choices:

 00 natural anodized aluminum	 01 sparkling silver RAL9006FS	 02 black velvet RAL9005FS	 03 crystal white RAL 9016FS	 04 creamy	 05 hampton bay	 06 lagoon
 07 urban forest	 08 in the army	 09 rusty angel	 10 rusty rush	 11 milk & chocolate	 12 fade to gray	 13 mysterious gray
 14 twilight	 15 lost dream	 16 purple sky	 17 fresh Oh	 18 funky P.	 19 kissing aphrodite	 20 poseidon's paradise
 21 blue sky	 22 spring green	 23 mellow yellow	 24 golden heart	 25 gun metal		

00 Standard Finish: natural anodized aluminum  
01-25 Color Finishes: additional charge

### ADDITIONAL NOTES

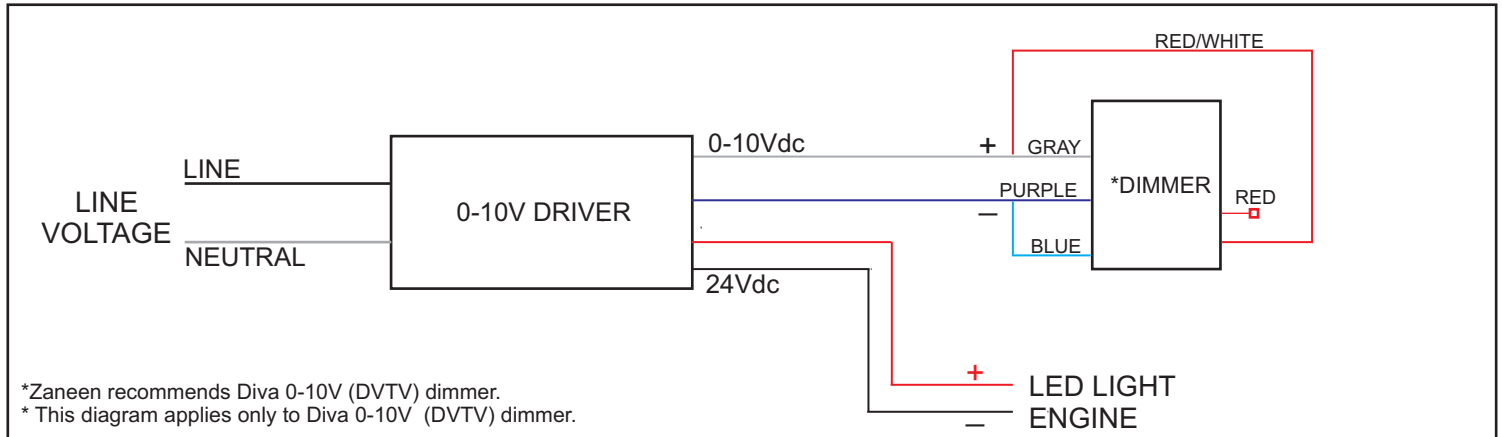
Zaneen reserves the right to change the specifications and/or materials without notice. Please check [www.zaneen.com](http://www.zaneen.com) for the most recent updates.

Date: \_\_\_\_\_ Project: \_\_\_\_\_

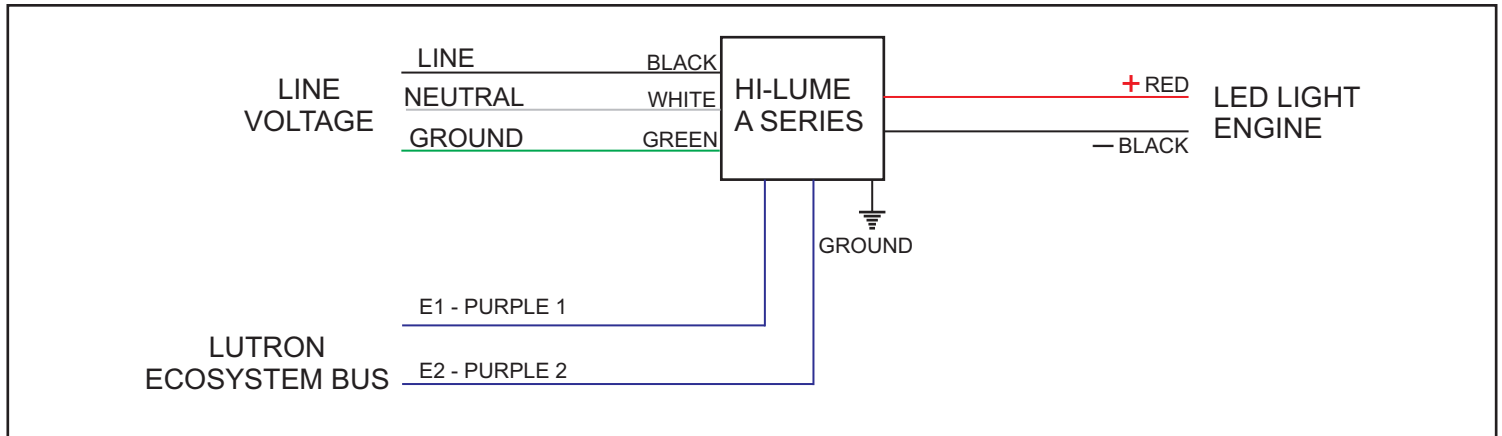
Fixture Type: \_\_\_\_\_ Specifier/Rep: \_\_\_\_\_

### WIRING DIAGRAMS FOR LINEAR LED

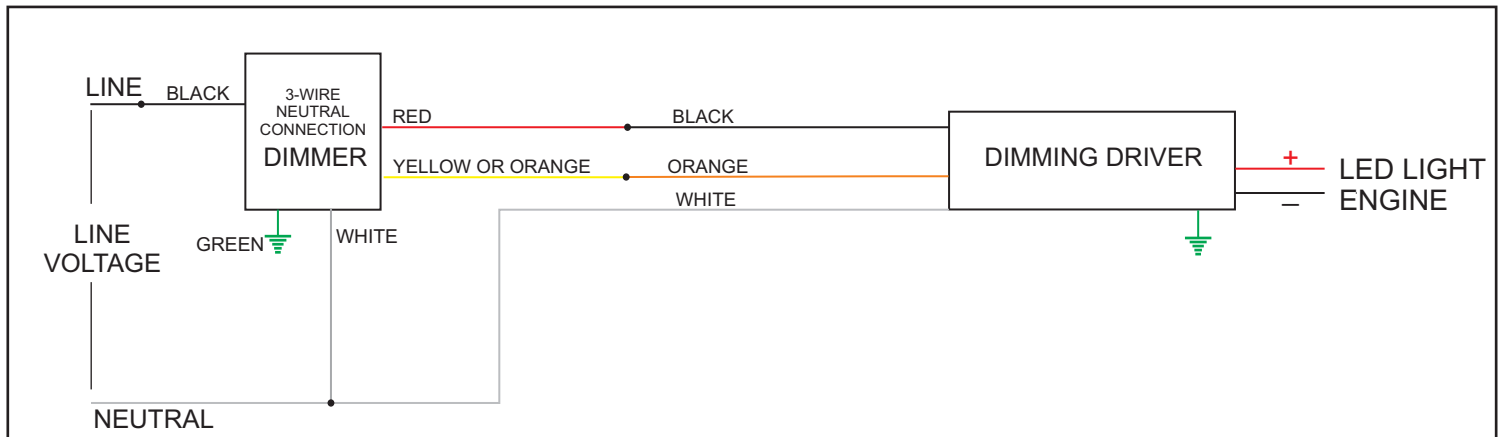
#### 0-10V DIMMING



#### LUTRON ECO SYSTEM DIGITAL DIMMING



#### LUTRON 3-WIRE DIMMER CONTROL

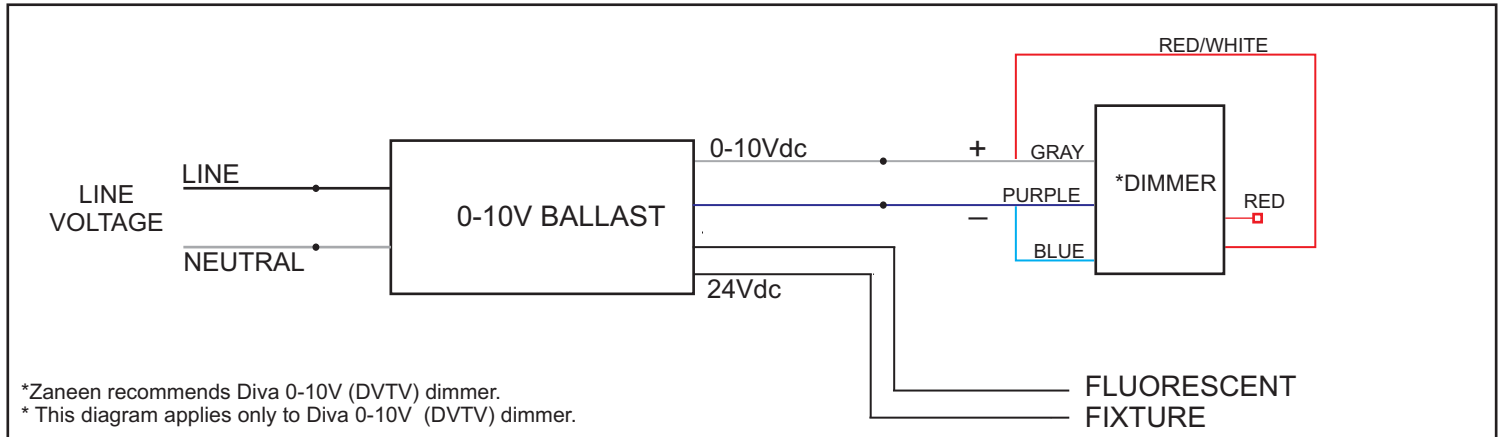


Date: \_\_\_\_\_ Project: \_\_\_\_\_

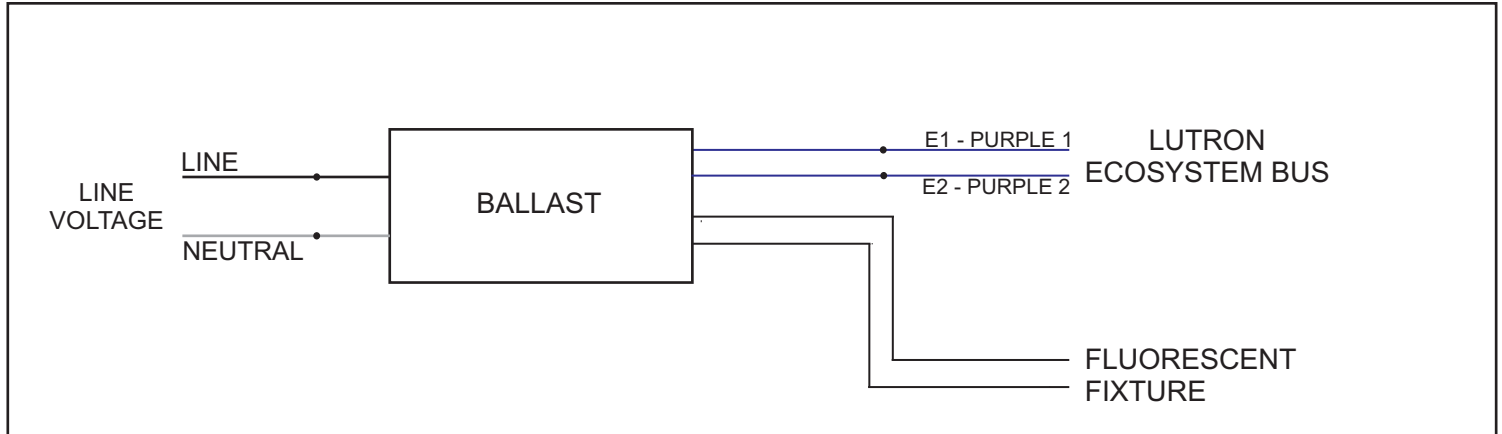
Fixture Type: \_\_\_\_\_ Specifier/Rep: \_\_\_\_\_

### WIRING DIAGRAMS FOR FLUORESCENT T5 SO AND HO

#### 0-10V DIMMING



#### LUTRON ECO SYSTEM DIGITAL DIMMING



#### LUTRON 3-WIRE DIMMER CONTROL

