



INSTRUCTIONS FOR:
**TOPCHEST 4 DRAWER 660MM HEAVY-DUTY/
ROLLCAB 6 DRAWER 675MM HEAVY-DUTY**
MODEL No's: **PTB66004, PTB67506**

Thank you for purchasing a Sealey product. Manufactured to a high standard, this product will, if used according to these instructions, and properly maintained, give you years of trouble free performance.



IMPORTANT: PLEASE READ THESE INSTRUCTIONS CAREFULLY. NOTE THE SAFE OPERATIONAL REQUIREMENTS, WARNINGS & CAUTIONS. USE THE PRODUCT CORRECTLY AND WITH CARE FOR THE PURPOSE FOR WHICH IT IS INTENDED. FAILURE TO DO SO MAY CAUSE DAMAGE AND/OR PERSONAL INJURY AND WILL INVALIDATE THE WARRANTY. KEEP THESE INSTRUCTIONS SAFE FOR FUTURE USE.

1. SAFETY

1.1. GENERAL SAFETY

- WARNING!** Ensure Health & Safety, local authority, and general workshop practice regulations are adhered to when using these units.
- ✓ Locate the units in a suitable work area.
- ✓ Keep the work area clean, uncluttered and ensure there is adequate lighting.
- WARNING!** Use the units on level and solid ground, preferably concrete.
- ✓ Keep the units clean and tidy in accordance with good workshop practice.
- ✓ Keep children and unauthorised persons away from the work area.
- x **DO NOT** use these units for any purpose other than that for which they are designed.
- x **DO NOT** use the units outdoors.
- x **DO NOT** place the units in a damp or wet location or an area where there is condensation.
- x **DO NOT** clean the units with any solvents which may damage the surfaces or the protective coating.
- x **DO NOT** move the units with the drawers out. To avoid tipping, open one drawer at a time and close and secure all drawers whilst moving.
- x **DO NOT** step on the drawers.

2. INTRODUCTION

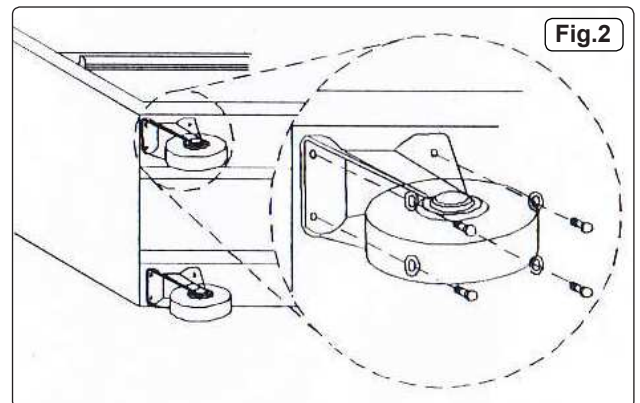
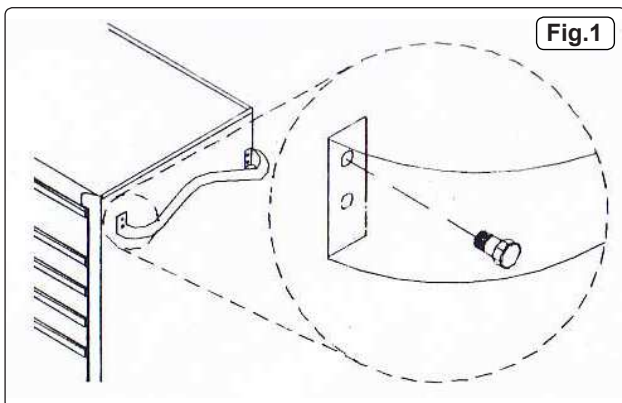
- Heavy-duty welded steel construction for strength and durability.
- Choice of finish; textured powder coat or anti-finger-print stainless steel, both solvent and rust resistant.
- Ball bearing drawer runners (double sets on large drawers), provide superior performance and carry heavier loads.
- All drawers have full width sand blasted aluminium lift latch drawer pulls, making easy access while preventing inadvertent opening when being moved.
- Non-slip drawer liners supplied for all drawers.
- Heavy-duty $\varnothing 125$ mm castors on rollcabs; 2 swivel with toe brakes and 2 fixed.
- Heavy-duty exterior handles on chest and cabinets.
- Topchests feature gas struts on lids for easy opening.
- Rollcabs (except for stainless steel versions) supplied with 12mm PVC coated MDF worktop for use as a workbench when not used with a topchest.
- Integral locking system locks all drawers in each unit with the turn of a key; all supplied with 2 keys.
- Manufactured to the highest levels of construction to withstand the toughest of workshop/garage conditions.

3. SPECIFICATION

Model No:	PTB66004	Model No:	PTB67506
Overall Size WxDxH (mm):	660 x 450 x 565	Overall Size WxDxH (mm):	675 x 460 x 1050
Medium Drawer (x3):	570 x 385 x 58	Medium Drawer (x2):	570 x 385 x 58
Large Drawer (x1):	570 x 385 x 135	Large Drawer (x2):	570 x 385 x 135
		X-Large Drawer (x1):	570 x 385 x 210

4. ASSEMBLY

- 4.1. These units are heavy, obtain the help of at least one other person before attempting to unpack them.
- 4.2. **Install Handle (refer to fig.1).**
- 4.2.1. Position the holes on the rollcab and attach with the bolts provided. Tighten securely.



- 4.3. **Install Wheels (Rollcabs) (refer to fig.2).**
- 4.3.1. Carefully lay rollcab on its back, with a soft mat underneath for protection. Install the two braked casters on the same end as the handle.
- 4.3.2. Insert the carriage bolts through washers, then through the casters and into the bottom of the cabinet. Tighten securely.
- 4.3.3. Install the fixed wheels on the opposite end to the handle.
- 4.4. **Remove Drawers (refer to fig.3).**
- 4.4.1. Pull drawer out until it is almost fully extended. Push up one black release handle, while pulling down the other hand black release lever.

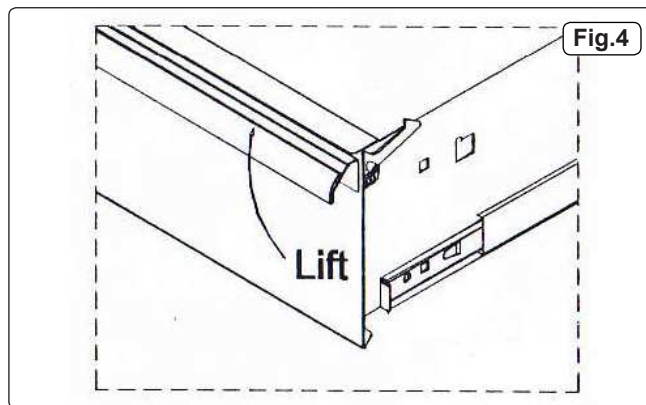
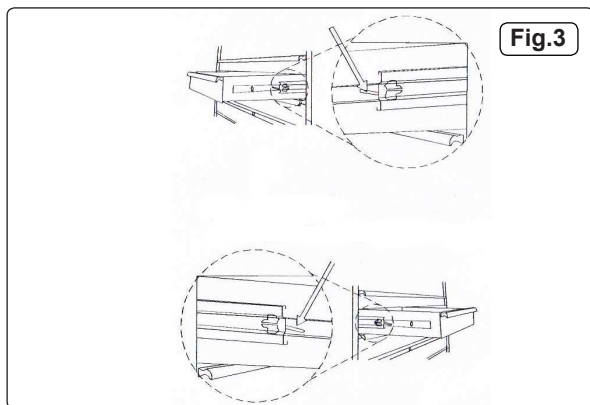
4.1.2. Whilst holding the levers in these positions pull the drawer out until it is released from the drawer slide.

4.5. Replace Drawers

4.5.1. Extend the drawer slides from the tool chest/cabinet.

4.5.2. Insert the brackets on each side of the drawer into the slots in the chest/cabinet slides, being careful that they are properly positioned.

4.5.3. Once properly inserted, completely close the drawer to set the slides in their proper positions.



4.6. Raise and Release Drawer Handles (refer to fig.4)

4.6.1. These units are equipped with raise and release drawer handles.

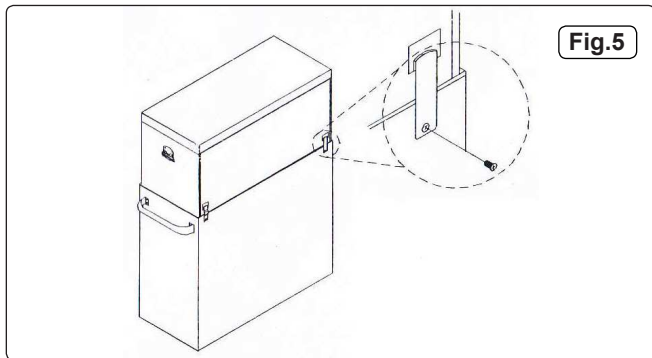
4.6.2. To open, lift up the drawer handle, whilst pulling it towards you. To close, shut the drawer firmly, until the latch engages.

4.6.3. If the drawer does not stay closed, the hook may be bent or it may rub against the drawer slides. To fix lightly bend the hook until the drawer will engage in the slide.

4.7. Chest and Rollcab Connection (refer to fig.5) Rollcab PTB67506 can be fitted with Topchest PTB66004 or PTB660TR.

4.7.2. Place the chest on the rollcab.

4.7.3. Attach the connectors, as shown, to both ends. Ensure that the clip fully engages in the back of the topchest.



Parts support is available for this product. To obtain a listing and/or diagram, please log on to: www.sealey.co.uk,
email: sales@sealey.co.uk or phone: 01284 757500



Environmental Protection.

Recycle unwanted materials instead of disposing of them as waste. All tools, accessories and packaging should be sorted, taken to a recycle centre and disposed of in a manner which is compatible with the environment.

NOTE: It is our policy to continually improve products and as such we reserve the right to alter data, specifications and component parts without prior notice.

IMPORTANT: No liability is accepted for incorrect use of this product.

WARRANTY: Guarantee is 12 months from purchase date, proof of which will be required for any claim.

INFORMATION: For a copy of our latest catalogue and promotions call us on 01284 757525 and leave your full name and address, including postcode.



Sole UK Distributor, Sealey Group,
Kempson Way, Suffolk Business Park,
Bury St. Edmunds, Suffolk,
IP32 7AR



01284 757500

01284 703534



www.sealey.co.uk

sales@sealey.co.uk