



# SPECTUS BIFOLD DOOR QUOTE/ORDER FORM

PLEASE TICK:  QUOTE  ORDER

Company \_\_\_\_\_

Contact Name \_\_\_\_\_

Delivery Address \_\_\_\_\_

\_\_\_\_\_

\_\_\_\_\_ Postcode \_\_\_\_\_

Telephone \_\_\_\_\_ Fax \_\_\_\_\_

Email \_\_\_\_\_

Date \_\_\_\_\_

Order No. / Reference \_\_\_\_\_

Date Required \_\_\_\_\_

**PROFILE**  Ovolo  Bevelled

**FRAME WIDTH (mm)** \_\_\_\_\_

**FRAME HEIGHT INCLUDING CILL (mm)** \_\_\_\_\_

**OPENING**  In  Out

**BIFOLD THRESHOLD** (see attached sheets)

Option \_\_\_\_\_ (A-E, 1-6 or Aluminium)

**CILL** included in overall frame height (cill height is 30mm)

Stub  150mm  180mm  No cill

**SINGLE COLOUR**

White  White Foil  Cream Foil

Light Oak  Light Oak on white

Rosewood  Rosewood on White

**SPECIAL FOIL OR RAL**

Outside \_\_\_\_\_ Inside \_\_\_\_\_

**HANDLES**  Hook Lock

Internal Only  Internal & External

White  Black  Silver  Chrome

**GLASS**

Glazed  Unglazed

Type \_\_\_\_\_

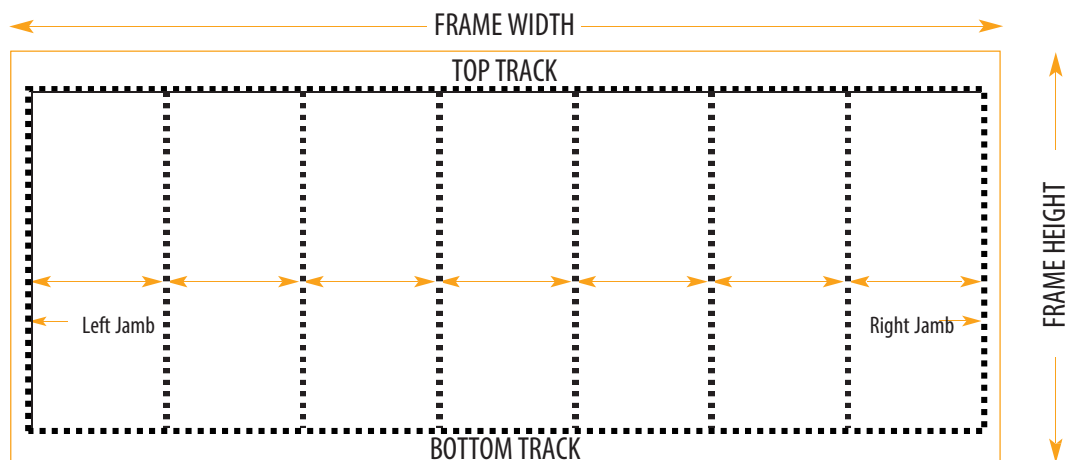
**SPACER BAR - Black Warmedge Spacer Bar will be selected on all quotations/orders unless specified otherwise below.**

Grey Warmedge  White Warmedge

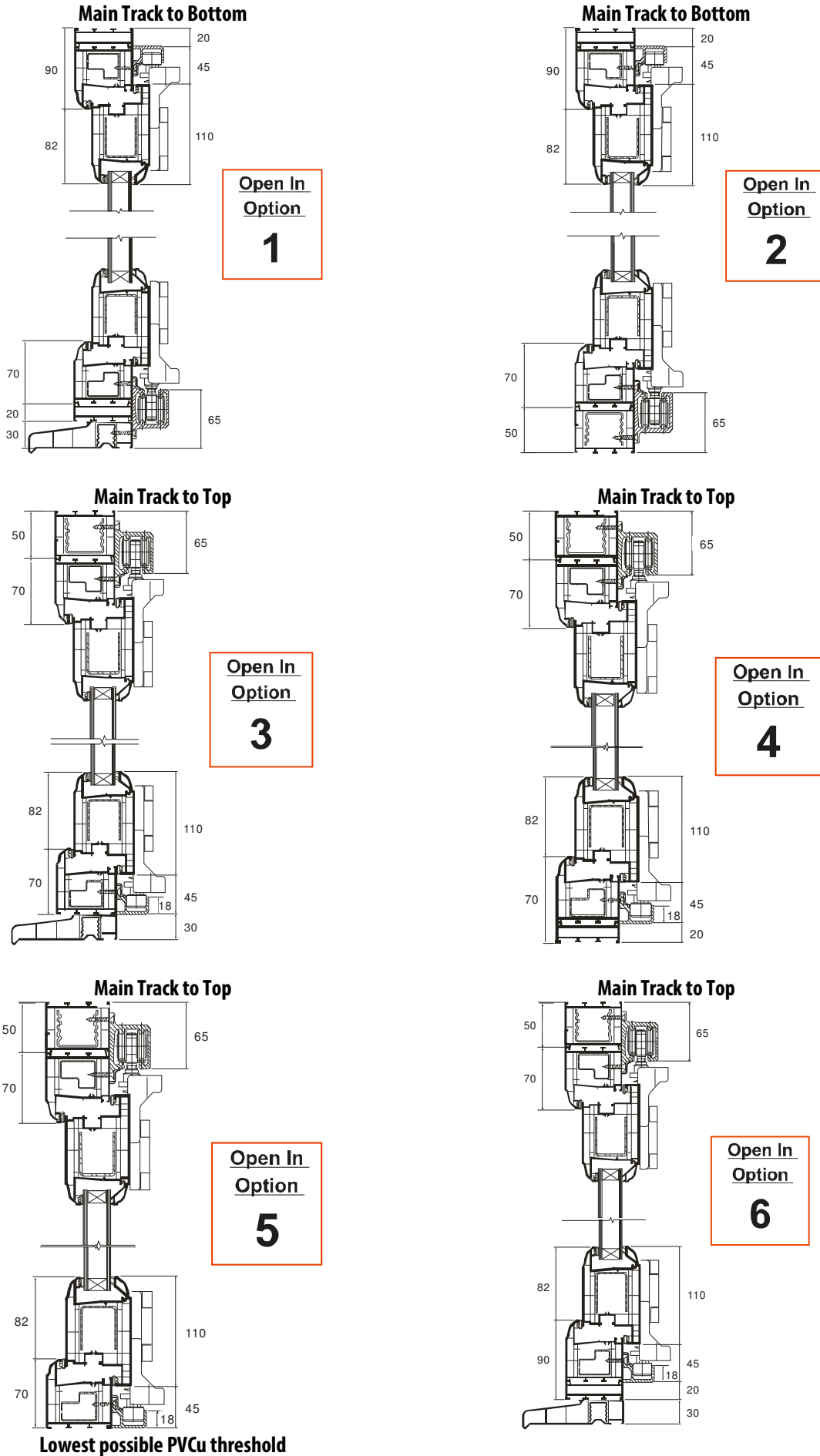
Viewed from **OUTSIDE**

Clearly mark on the grid shown the configuration required. The elevation of the door is as viewed from the **OUTSIDE**. Mark along the arrows the direction that each panel has to travel.

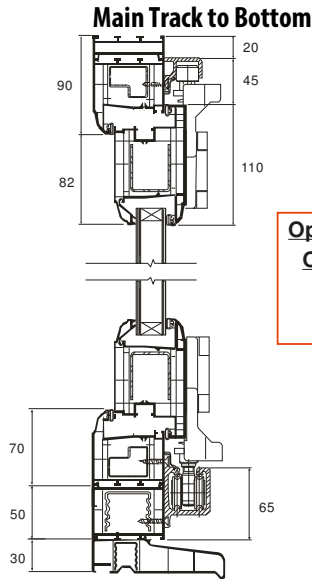
If you have 2 swing panels, indicate on this drawing which panel you would like to open first with 'FIRST'.



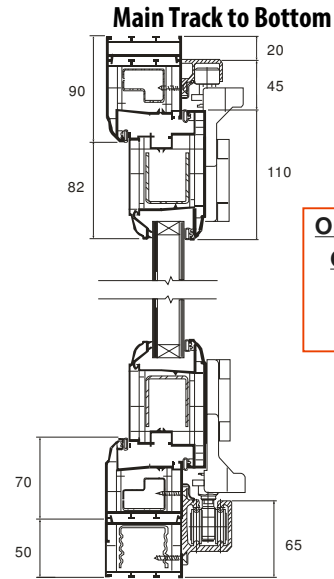
# Open In Threshold Options



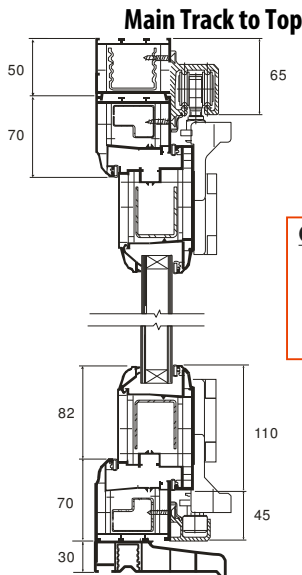
# Open Out Threshold Options



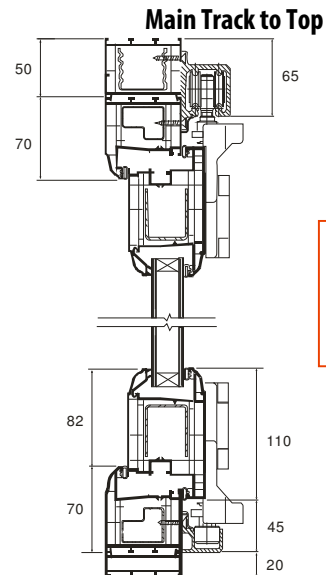
Open Out  
Option  
**A**



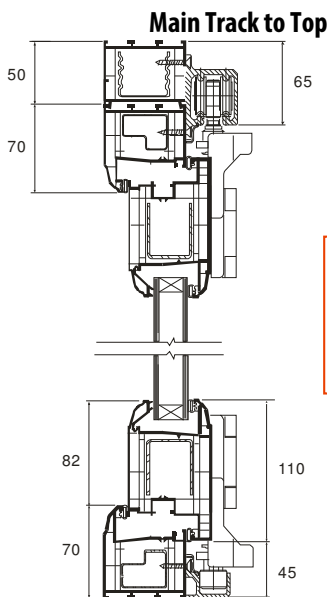
Open Out  
Option  
**B**



Open Out  
Option  
**C**



Open Out  
Option  
**D**

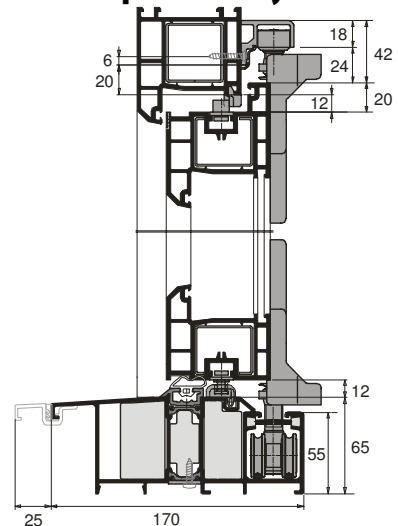


Open Out  
Option  
**E**

**Lowest possible PVCu threshold**

## Low Aluminium Threshold

### Open In Only



**This threshold must be sunk into floor 50mm**

# Spectus Bifold Door Style Sheet (Viewed Outside/Open Out)

